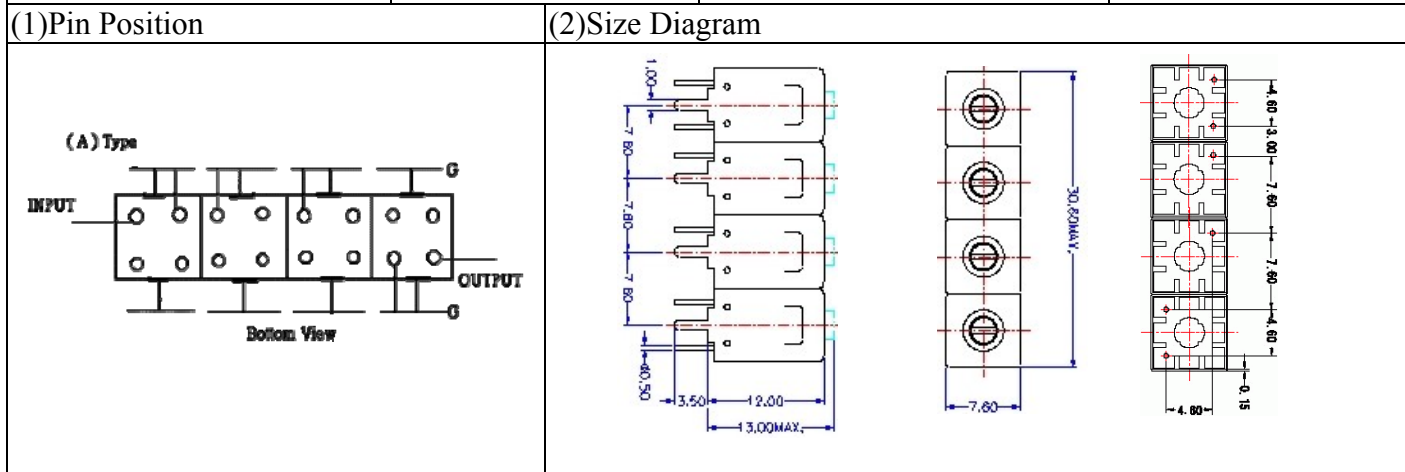


VHF UHF Helical Filter Specification Sheet

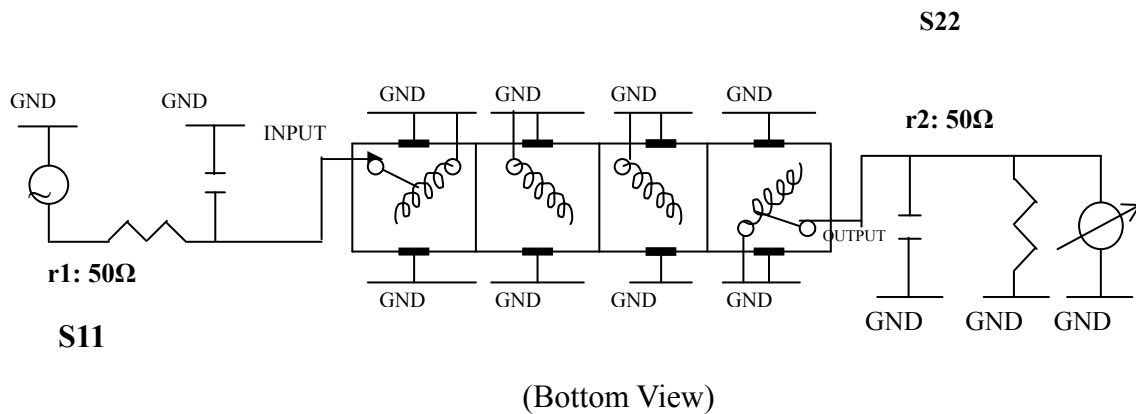
Customer Name		Temwell's Part No.	TF69336A-1030M
Approval No. /dated	201708106CD	Temwell's Print Name	69336A 1030M
Work Instruction No.	201708106CD	Date	Nov.3.2017



(3) Electric Characteristic

Item	Specify	Performance	
Center Freq.(Fo) +/- 0.5 %	1030 MHz	1030 MHz	
Insertion Loss	Typ. 3.5 dB	2.14 dB	
-3 dB Bandwidth	Typ. 50 MHz	59.0 MHz	
Sensitivity (Attenuation)	Fo - 100 MHz	Typ. 53 dBc	58 dBc
	Fo + 100 MHz	Typ. 33 dBc	38 dBc
	Fo - ()MHz	Typ. dBc	dBc
	Fo + ()MHz	Typ. dBc	dBc
Return Loss	Min. 12 dB	20.0 dB	
Ripple	< 1 dB	dB	
Impedance	In / Out : 50 Ω	In / Out : 50 Ω	
(4) Torque for Tuning Screw	> 60gf · cm		
(5) Temperature Condition:			
Operating Temperature	0°C ~ +60°C		
Storage Temperature	-20°C ~ +70°C		
(6) Input Power	> 1 Watt		

(7) Measuring Circuit: ※Easy to match Impedance S11/S22 /50Ω by parallel with about(- -).



Approval	Supervisor	Designer	Aperture size
C.Y.Chang	C.K.Chang	C.S.Chang	7H4S(4*6.5)(6.58) 7H046LB5

TEMWELL CORPORATION

Performance-TF69336A-1030M

201708106CD

Tr1 S11 Log Mag 5.000dB/ Ref 0.000dB [F2]
Tr2 S21 Log Mag 10.00dB/ Ref 0.000dB [F2]

