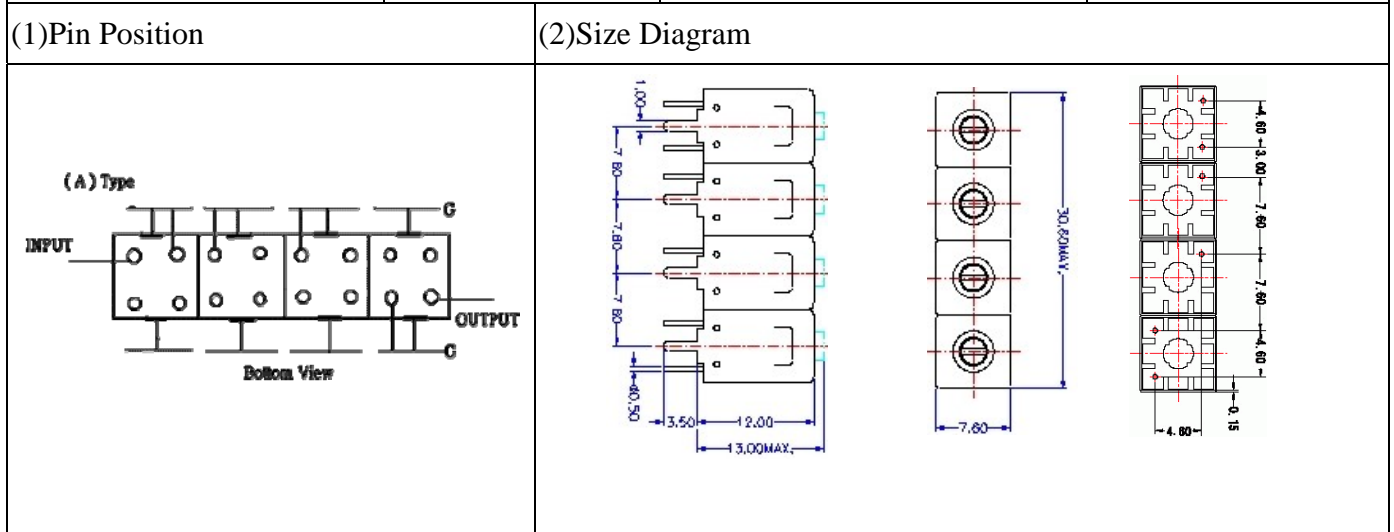


# VHF UHF Helical Filter Specification Sheet

Customer Name		Temwell's Part No.	TF69342A-960M
Approval No. /dated	2008067D	Acceptable Specify Fo. Range	951~975MHz
Work Instruction No.	2008067D	Date	Sep.07.2000



(3) Electric Character

Item	Specify	Performance
Center Freq.(Fo ) +/- 0.5 %	960 MHz	960 MHz
Insertion Loss	Typ. 3.5 dB	2.67 dB
-3 dB Bandwidth	Typ. 60 MHz	64.5 MHz
Sensitivity (Attenuation)	Fo - 100 MHz	Typ. 55 dBc
	Fo + 100 MHz	Typ. 30 dBc
	Fo - ( )MHz	Typ. dBc
	Fo +( )MHz	Typ. dBc
Return Loss	Min. 12 dB	18.4 dB
Ripple	< 1 dB	1 B
Impedance	In / Out : 50 Ω	In / Out : 50 Ω

(4) Torque for Tuning Screw > 100gf • cm

(5) Temperature Condition:

Operating Temperature	0°C ~ +60°C
Storage Temperature	-20°C ~ +70°C

(6) Input Power > 1Watt

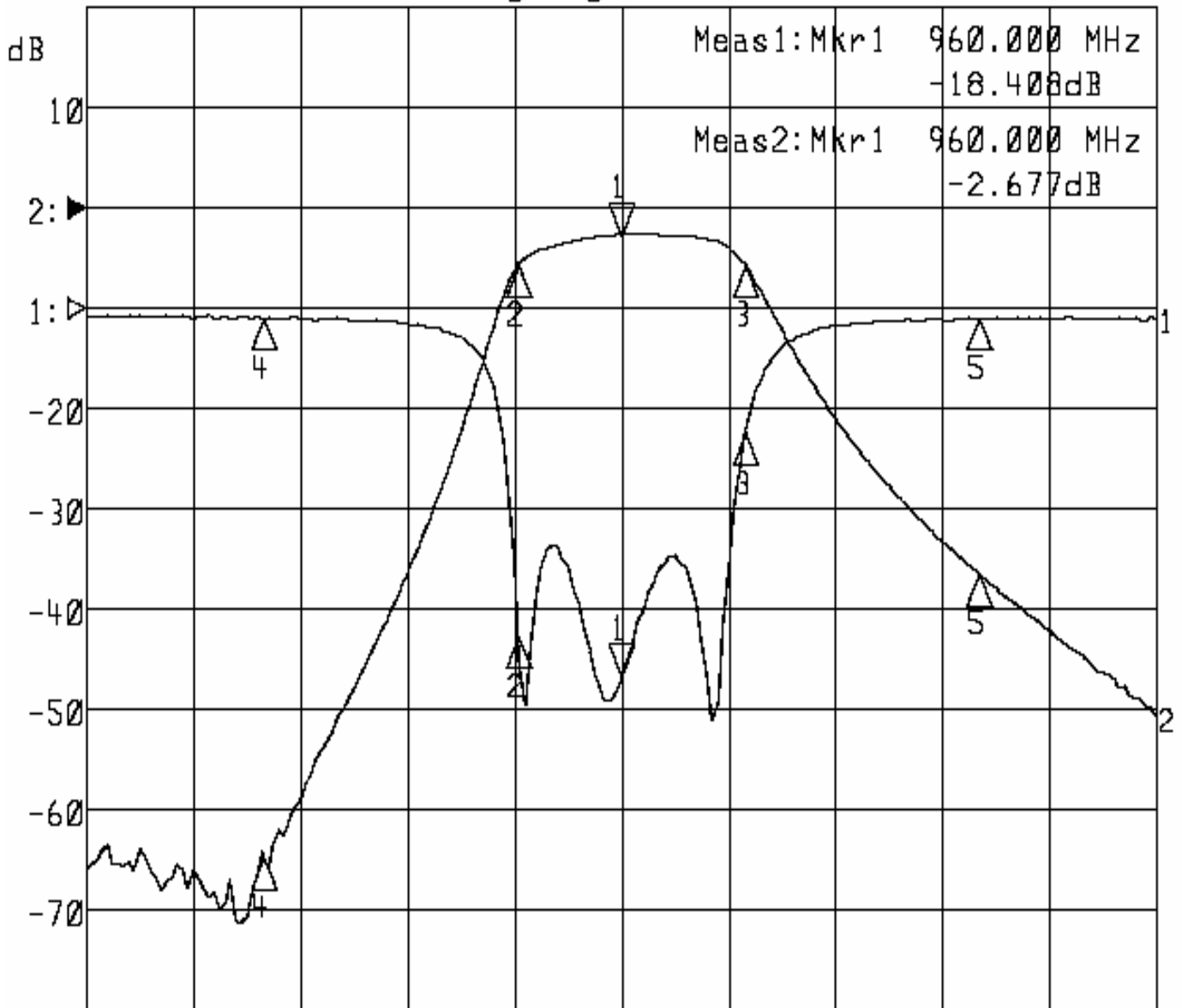
Approval	Supervisor	Designer	Aperture size
C.Y.Chang	C.S.Chang	Z.M.Weg	7H4S(4*8.0) 7H046LB5

TEMWELL CORPORATION

# Performance-TF69342A-960M

## 2008059D

▶1:S11 Refl Port1 Log Mag 5.0 dB/ Ref 0.00 dB C  
▶2:S21 Fwd Trans Log Mag 10.0 dB/ Ref 0.00 dB C



Center 960.000 MHz

Span 300.000 MHz

1: Mkr (MHz)	dB	2: Mkr (MHz)	dB
1> 960.0000	-18.408	1> 960.0000	-2.677
2: 931.1000	-16.315	2: 931.1000	-5.639
3: 994.6000	-6.237	3: 994.6000	-5.645
4: 860.0000	-0.493	4: 860.0000	-64.789
5: 1060.0000	-0.525	5: 1060.0000	-36.424