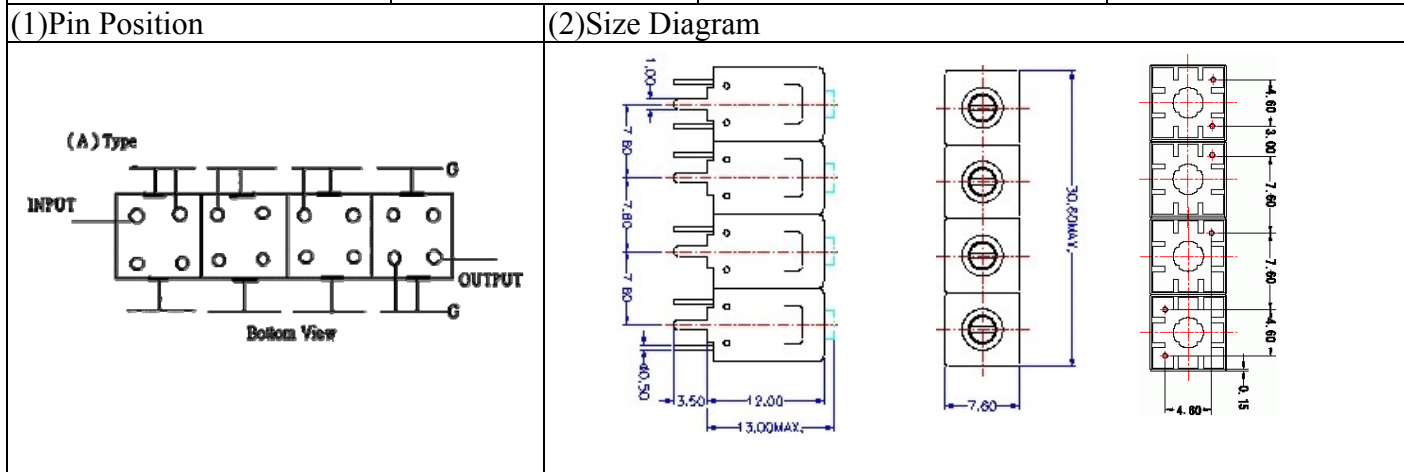


VHF UHF Helical Filter Specification Sheet

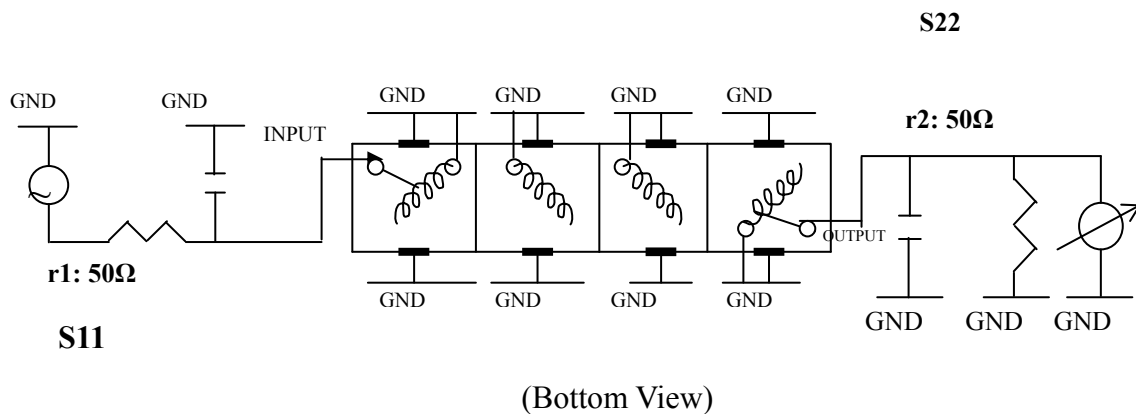
Customer Name		Temwell's Part No.	TF69344A-960M
Approval No. /dated	201708099CD	Temwell's Print Name	69344A 960M
Work Instruction No.	201708099CD	Date	Oct.25.2017



(3) Electric Characteristic

Item	Specify	Performance	
Center Freq.(Fo) +/- 0.5 %	960 MHz	960 MHz	
Insertion Loss	Typ. 3.0 dB	1.46 dB	
-3 dB Bandwidth	Typ. 81 MHz	90.5 MHz	
Sensitivity (Attenuation)	Fo - 100 MHz	Typ. 36 dBc	41 dBc
	Fo + 100 MHz	Typ. 21 dBc	26 dBc
	Fo - ()MHz	Typ. dBc	dBc
	Fo +()MHz	Typ. dBc	dBc
Return Loss	Min. 12 dB	26.1 dB	
Ripple	< 1 dB	dB	
Impedance	In / Out : 50 Ω	In / Out : 50 Ω	
(4) Torque for Tuning Screw	> 60gf · cm		
(5) Temperature Condition:			
Operating Temperature	0°C ~ +60°C		
Storage Temperature	-20°C ~ +70°C		
(6) Input Power	> 1Watt		

(7) Measuring Circuit: ※Easy to match Impedance S11/S22 /50Ω by parallel with about(- -).



Approval C.Y.Chang	Supervisor C.K.Chang	Designer C.S.Chang	Aperture size 7H4S(4*7.5)(7.58) 7H046LB5.5
-----------------------	-------------------------	-----------------------	--

TEMWELL CORPORATION

Performance-TF69344A-960M

201708099CD

Tr1 S11 Log Mag 5.000dB/ Ref 0.000dB [F2]
Tr2 S21 Log Mag 10.00dB/ Ref 0.000dB [F2]

