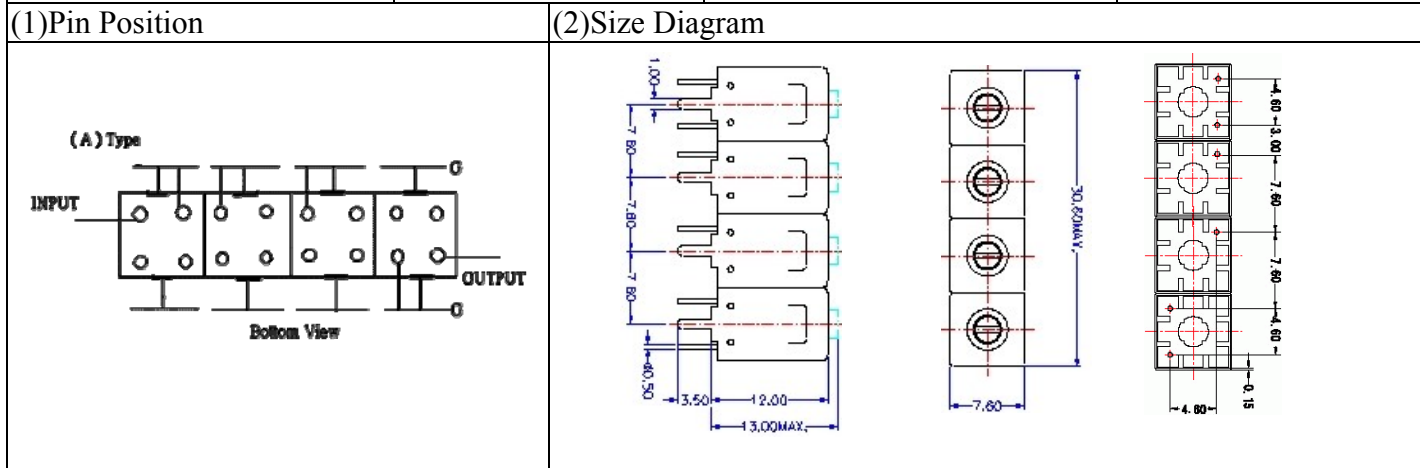


# VHF UHF Helical Filter Specification Sheet

Customer Name		Temwell's Part No.	TF69348A-980M
Approval No. /dated	201708104CD	Temwell's Print Name	69348A 980M
Work Instruction No.	201708104CD	Date	Nov.7.2017



(3) Electric Characteristic

Item	Specify	Performance	
Center Freq.(Fo) +/- 0.5 %	980 MHz	980 MHz	
Insertion Loss	Typ. 2.0 dB	1.40 dB	
-3 dB Bandwidth	Typ. 80 MHz	91.0 MHz	
Sensitivity (Attenuation)	Fo - 100 MHz	Typ. 35 dBc	38 dBc
	Fo + 100 MHz	Typ. 24 dBc	25 dBc
	Fo - ( )MHz	Typ. dBc	dBc
	Fo + ( )MHz	Typ. dBc	dBc
Return Loss	Min. 12 dB	30.0 dB	
Ripple	< 1 dB	dB	
Impedance	In / Out : 50 Ω	In / Out : 50 Ω	
(4) Torque for Tuning Screw	> 60gf • cm		

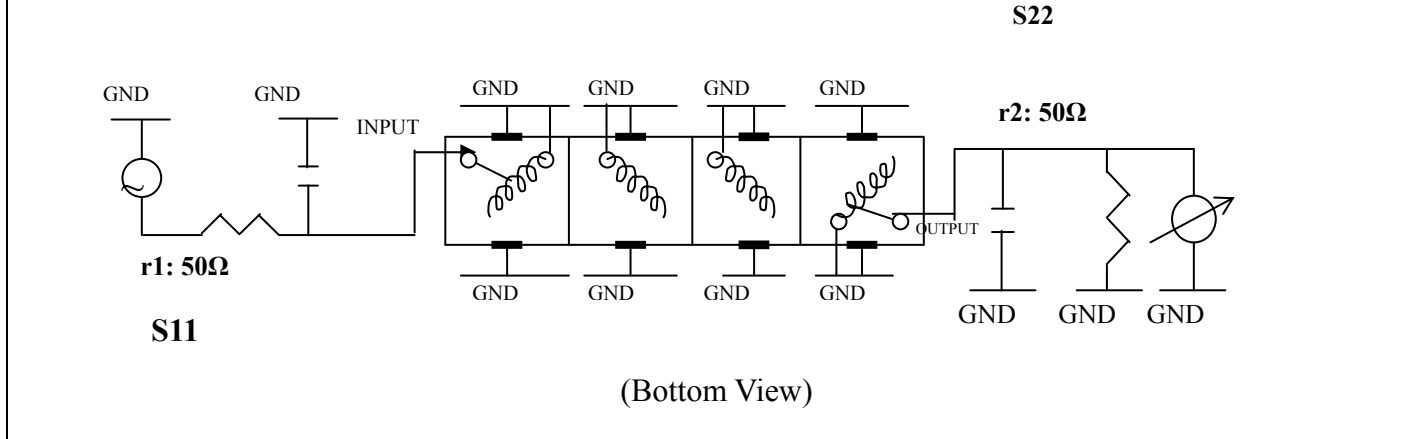
(5) Temperature Condition:

Operating Temperature	0°C ~ +60°C
Storage Temperature	-20°C ~ +70°C

(6) Input Power

> 1 Watt

(7) Measuring Circuit: ※Easy to match Impedance S11/S22 /50Ω by parallel with about(- -).



Approval C.Y.Chang	Supervisor C.K.Chang	Designer C.S.Chang	Aperture size 7H4S(4*6.5)(6.58) 7H046LB5.5
-----------------------	-------------------------	-----------------------	--

TEMWELL CORPORATION

# Performance-TF69348A-980M

## 201708104CD

Tr1 S11 Log Mag 5.000dB/ Ref 0.000dB [F2]  
Tr2 S21 Log Mag 10.00dB/ Ref 0.000dB [F2]

