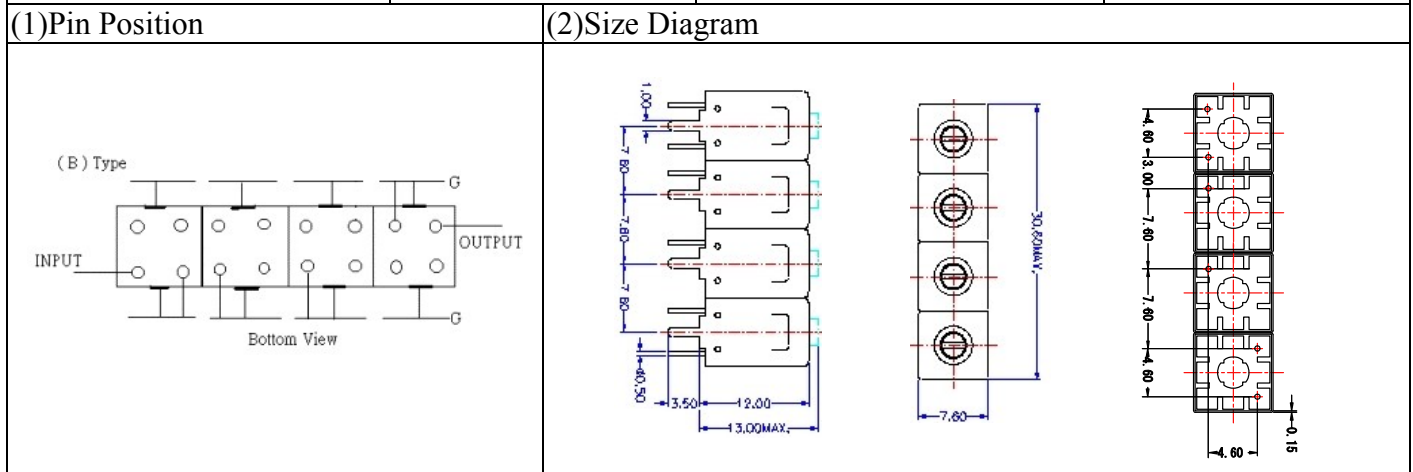
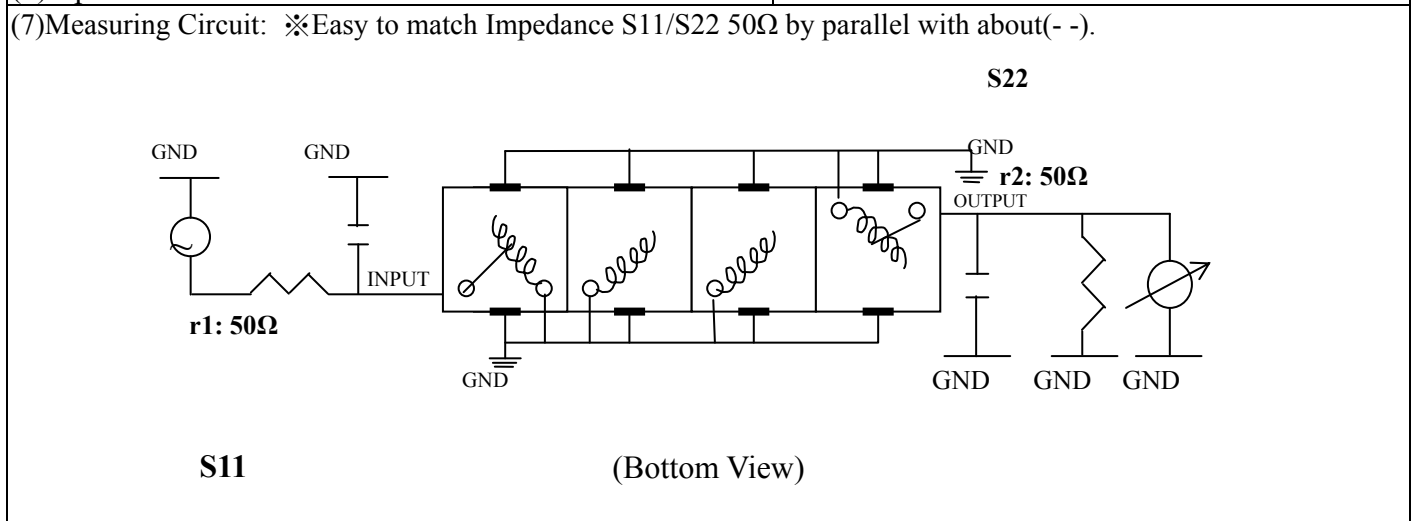


VHF UHF Helical Filter Specification Sheet

Customer Name		Temwell's Part No.	TF69362B-128.5M
Approval No. /dated	201701074CD	Temwell's Print Name	69362B 128.5M
Work Instruction No.	201701074CD	Date	Feb.10.2017



(3) Electric Characteristic			
Item		Specify	Performance
Center Freq.(Fo) +/- 0.5 %		128.5 MHz	128.5 MHz
Insertion Loss		Typ. 3.0 dB	2.56 dB
-3 dB Bandwidth		Typ. 14 MHz	16.2 MHz
Sensitivity (Attenuation)	Fo - 50 MHz	Typ. 70 dBc	76 dBc
	Fo + 50 MHz	Typ. 72 dBc	75 dBc
	Fo - ()MHz	Typ. dBc	dBc
	Fo + ()MHz	Typ. dBc	dBc
Return Loss		Min. 12 dB	22.2 dB
Ripple		< 1 dB	dB
Impedance		In / Out : 50 Ω	In / Out : 50 Ω
(4) Torque for Tuning Screw		> 60gf · cm	
(5) Temperature Condition:			
Operating Temperature		0°C ~ +60°C	
Storage Temperature		-20°C ~ +70°C	
(6) Input Power		> 1Watt	



Approval	Supervisor	Designer	Aperture size
C.Y.Chang	C.K.Chang	C.H.Yeh	7H4S(4*5.5)(5.54) 7H00LB6

TEMWELL CORPORATION

Performance-TF69362B-128.5M

201701074CD

CH1 S11

LOG MAG

REF 0.000 dB

5.000 dB/

CH2 S21

LOG MAG

REF 0.000 dB

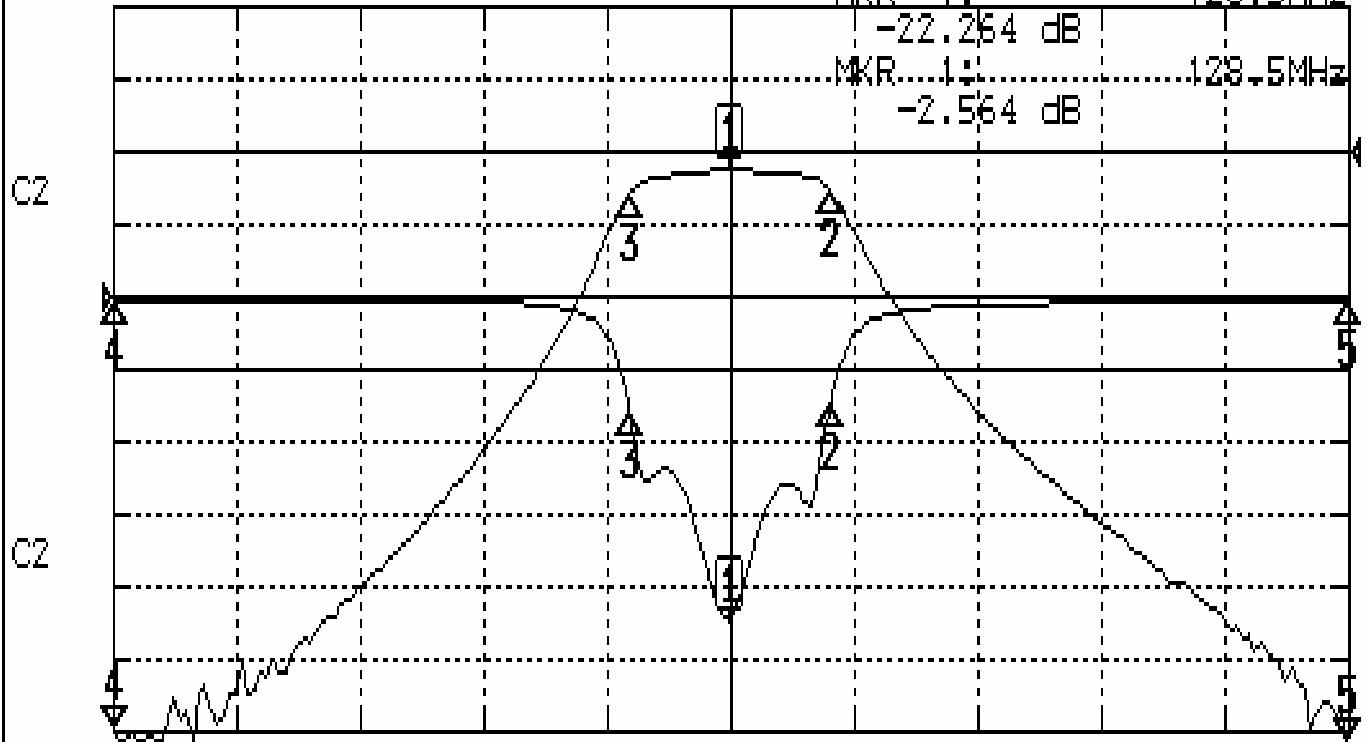
10.000 dB/

MKR 1: 128.5MHz

-22.264 dB

MKR 1: 128.5MHz

-2.564 dB



CENTER 128.5MHz

[10.00 dBm]

SPAN 100MHz

CH1 MARKER LIST

1:	128.500MHz	-22.264	dB
2:	136.666MHz	-7.252	dB
3:	120.416MHz	-8.165	dB
4:	78.500MHz	-0.150	dB
5:	178.500MHz	-0.293	dB

CH2 MARKER LIST

1:	128.500MHz	-2.564	dB
2:	136.666MHz	-15.607	dB
3:	120.416MHz	-15.692	dB
4:	78.500MHz	-79.141	dB
5:	178.500MHz	-78.132	dB