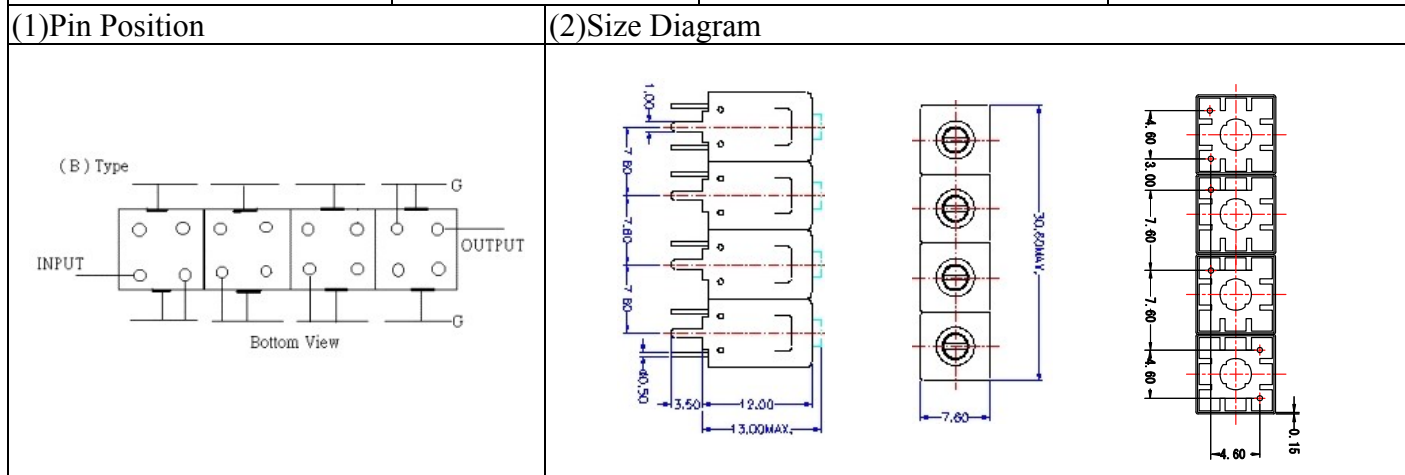


# VHF UHF Helical Filter Specification Sheet

Customer Name		Temwell's Part No.	TF69377B-148M
Approval No. /dated	201701081CD	Temwell's Print Name	69377B 148M
Work Instruction No.	201701081CD	Date	Feb.15.2017



### (3) Electric Characteristic

Item	Specify	Performance	
Center Freq.(Fo) +/- 0.5 %	148 MHz	148 MHz	
Insertion Loss	Typ. 2.0 dB	1.19 dB	
-3 dB Bandwidth	Typ. 26 MHz	28.4 MHz	
Sensitivity (Attenuation)	Fo - 50 MHz	Typ. 55 dBc	62 dBc
	Fo + 50 MHz	Typ. 38 dBc	43 dBc
	Fo - ( )MHz	Typ. dBc	dBc
	Fo + ( )MHz	Typ. dBc	dBc
Return Loss	Min. 12 dB	25.3 dB	
Ripple	< 1 dB	dB	
Impedance	In / Out : 50 Ω	In / Out : 50 Ω	

(4) Torque for Tuning Screw > 60gf · cm

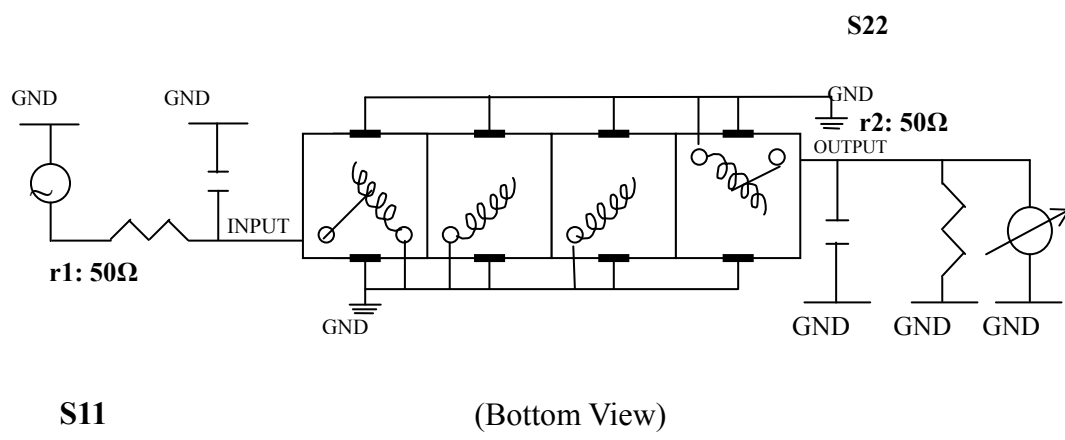
(5) Temperature Condition:

Operating Temperature 0°C ~ +60°C

Storage Temperature -20°C ~ +70°C

(6) Input Power > 1Watt

(7) Measuring Circuit: ※Easy to match Impedance S11/S22 50Ω by parallel with about(- -).



Approval	Supervisor	Designer	Aperture size
C.Y.Chang	C.K.Chang	C.S.Chang	7H4S(4*6.5)(6.56) 7H024LB6.5

TEMWELL CORPORATION

# Performance-TF69377B-148M

## 201701081CD

Tr1 S11 Log Mag 5.000dB/ Ref 0.000dB [F2]  
Tr2 S21 Log Mag 10.00dB/ Ref 0.000dB [F2]

