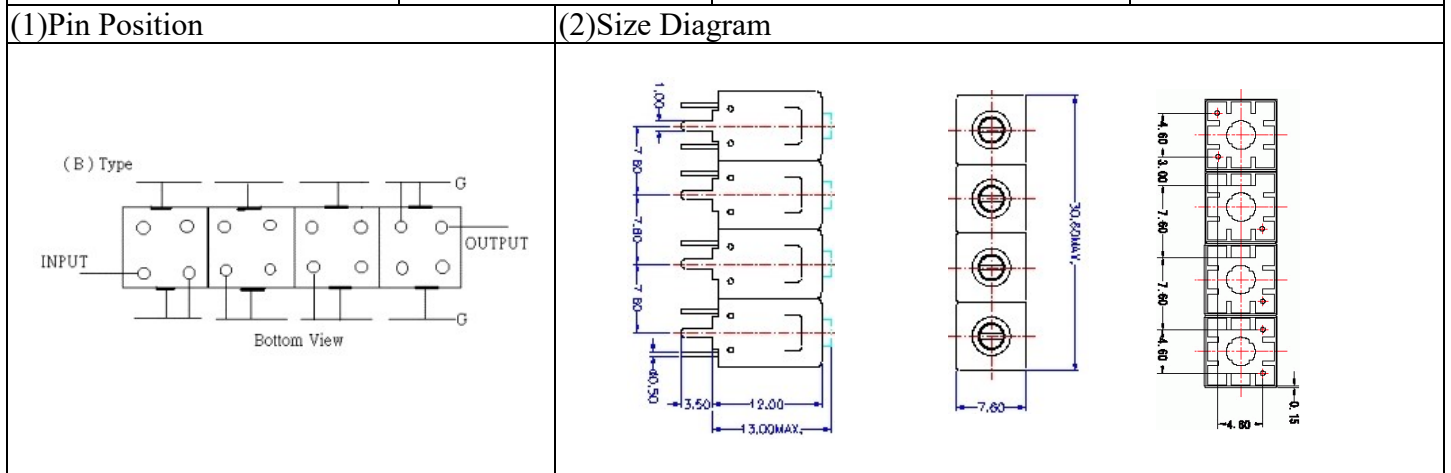


VHF UHF Helical Filter Specification Sheet

Customer Name		Temwell's Part No.	TF69379B-165M
Approval No. /dated	0801006APR	Acceptable Fo Specify Range	146~165MHz
Work Instruction No.	0801006CD	Date	Jan.07.2008

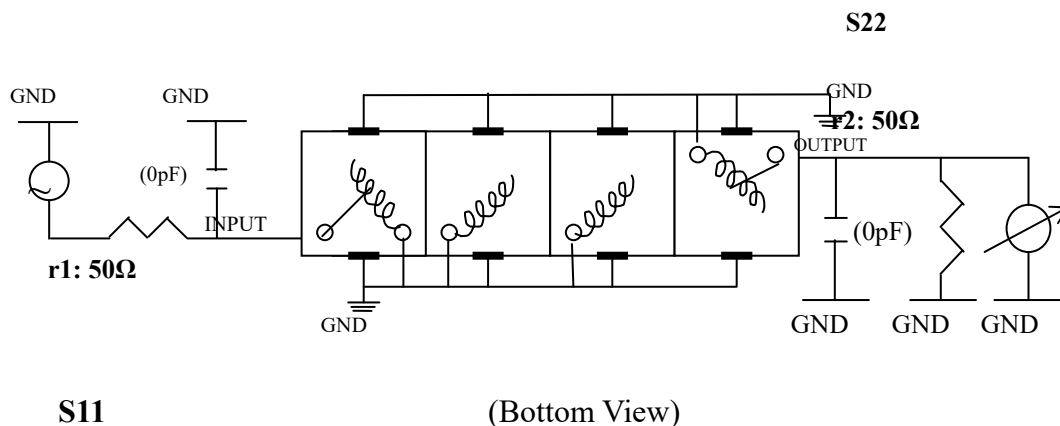


(3) Electric Characteristic			
Item		Specify	Performance
Center Freq.(Fo) +/- 0.5 %		165 MHz	165 MHz
Insertion Loss		Typ. 2.5 dB	1.56 dB
-3 dB Bandwidth		Typ. 18 MHz	21.7 MHz
Sensitivity (Attenuation)	Fo - 30 MHz	Typ. 41 dBc	44 dBc
	Fo + 30 MHz	Typ. 31 dBc	34 dBc
	Fo - ()MHz	Typ. dBc	dBc
	Fo +()MHz	Typ. dBc	dBc
Return Loss		Min. 12 dB	40.2 dB
Ripple		< 1 dB	dB
Impedance		In / Out : 50 Ω	In / Out : 50 Ω
(4) Torque for Tuning Screw		> 100gf • cm	

(5) Temperature Condition:	
Operating Temperature	0°C ~ +60°C
Storage Temperature	-20°C ~ +70°C

(6) Input Power	> 1Watt
-----------------	---------

(7) Measuring Circuit: ※Easy to match Impedance S11/S22 50Ω/ by parallel with about(0pF) / (0 pF).

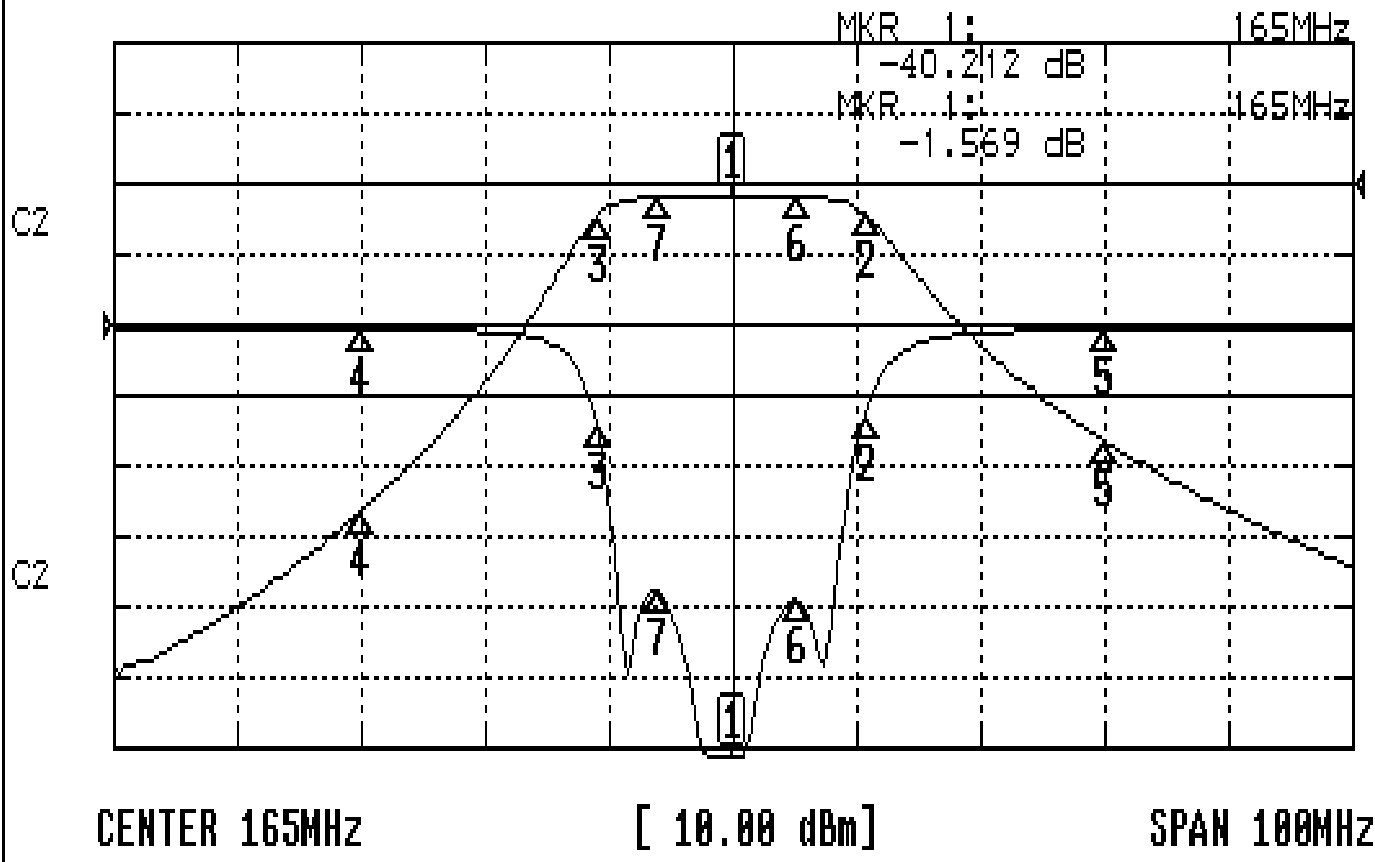


Approval	Supervisor	Designer	Aperture size
C.Y.Chang	C.S.Chang	P.H.Chiang	7H4(4*5.5)F 7H024RB6.5
TEMWELL CORPORATION			

Performance-TF69379B-165M

0801006CD

CH1 S11 LOG MAG REF 0.000 dB 5.000 dB/
CH2 S21 LOG MAG REF 0.000 dB 10.000 dB/



CH1 MARKER LIST

1:	165.000MHz	-40.212	dB
2:	175.750MHz	-6.218	dB
3:	154.083MHz	-7.278	dB
4:	135.000MHz	-0.245	dB
5:	195.000MHz	-0.292	dB
6:	170.166MHz	-19.575	dB
7:	158.833MHz	-18.811	dB

CH2 MARKER LIST

1:	165.000MHz	-1.569	dB
2:	175.750MHz	-4.433	dB
3:	154.083MHz	-4.444	dB
4:	135.000MHz	-4.330	dB
5:	195.000MHz	-6.435	dB
6:	170.166MHz	-1.731	dB
7:	158.833MHz	-1.871	dB