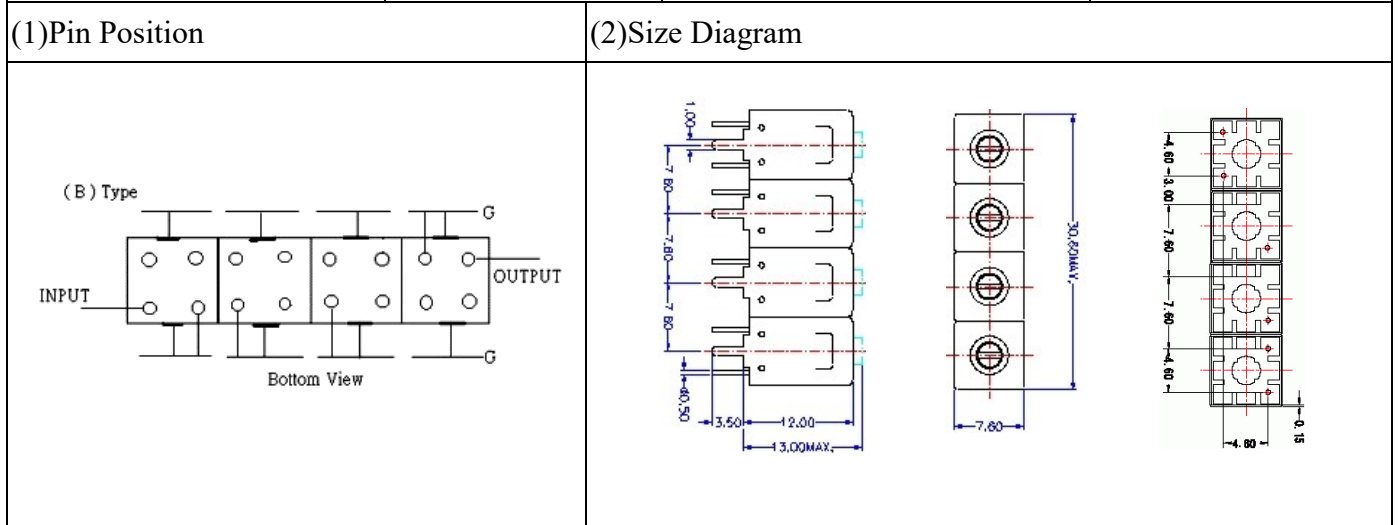


VHF UHF Helical Filter Specification Sheet

Customer Name		Temwell's Part No.	TF69397B-149M
Approval No. /dated	20203020DB	Acceptable Specify Fo. Range	146~165MHz
Work Instruction No.	20203020DB	Date	Mar.11.2002



(3) Electric Character

Item	Specify	Performance	
Center Freq.(Fo) +/- 0.5 %	149 MHz	149 MHz	
Insertion Loss	Typ. 2.5 dB	1.77 dB	
-3 dB Bandwidth	Typ. 31 MHz	32 MHz	
Sensitivity (Attenuation)	Fo -30 MHz	Typ. 33 dBc	36 dBc
	Fo +30 MHz	Typ. 19 dBc	22 dBc
	Fo - ()MHz	Typ. dBc	dBc
	Fo +()MHz	Typ. dBc	dBc
Return Loss	Min. 12 dB	28.0 dB	
Ripple	< 1 dB	dB	
Impedance	In / Out : 50 Ω	In / Out : 50 Ω	
(4) Torque for Tuning Screw	> 100gf • cm		

(5) Temperature Condition:

Operating Temperature	0°C ~ +60°C
Storage Temperature	-20°C ~ +70°C
(6) Input Power	> 1Watt

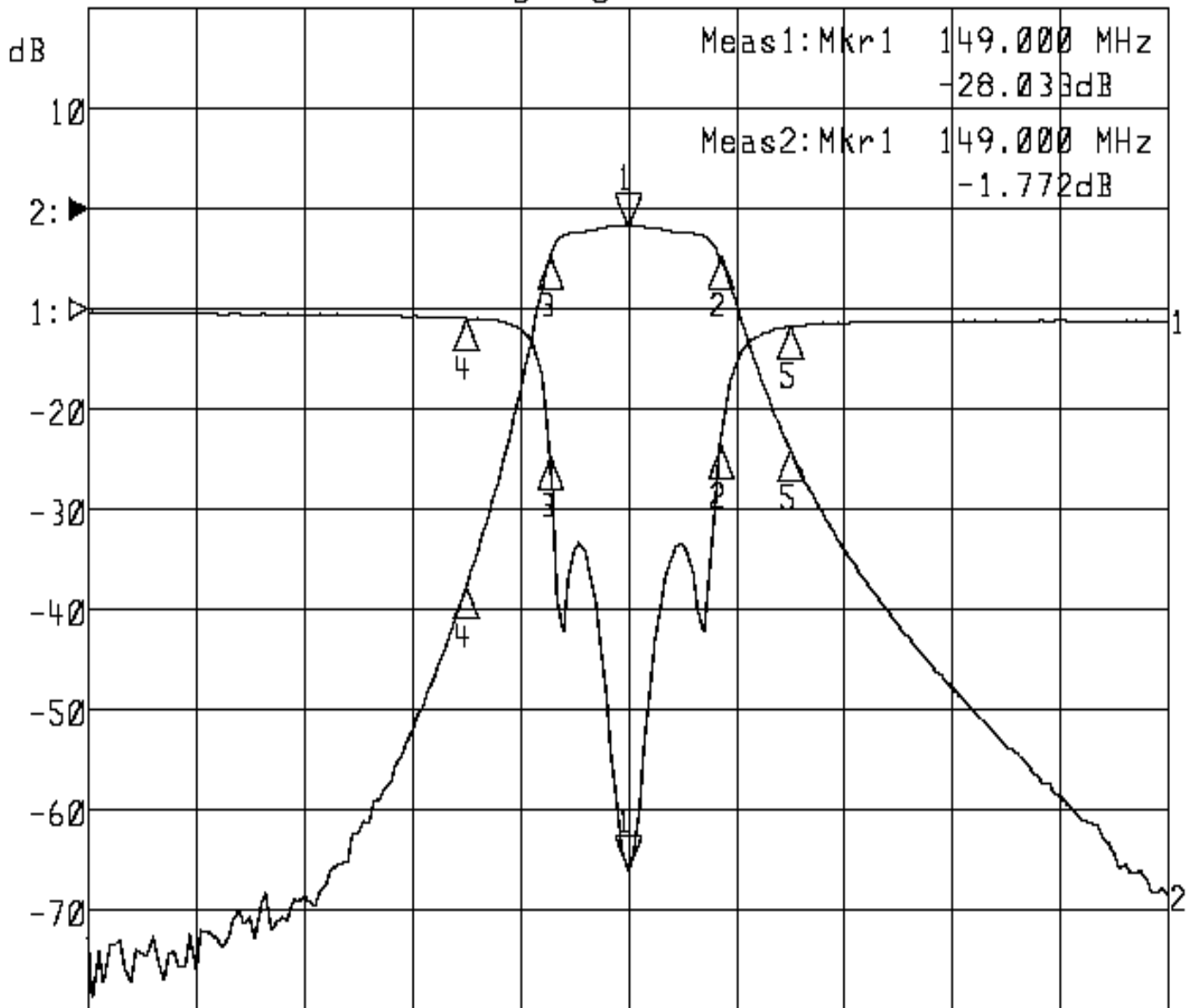
Approval	Supervisor	Designer	Aperture size
C.Y.Chang	C.S.Chang	Enlen	7H4S(4*7.5) 7H00LB6

TEMWELL CORPORATION

Performance-TF69397B-149M

20203020DB

►1:S11 Refl Port1 Log Mag 5.0 dB/ Ref 0.00 dB C
►2:S21 Fwd Trans Log Mag 10.0 dB/ Ref 0.00 dB C



Center 149.000 MHz

Span 200.000 MHz

1:Mkr (MHz)	dB	2:Mkr (MHz)	dB
1> 149.0000	-28.033	1> 149.0000	-1.772
2: 166.0000	-6.867	2: 166.0000	-4.721
3: 134.5667	-7.430	3: 134.5667	-4.724
4: 119.0000	-0.469	4: 119.0000	-37.801
5: 179.0000	-0.896	5: 179.0000	-23.978