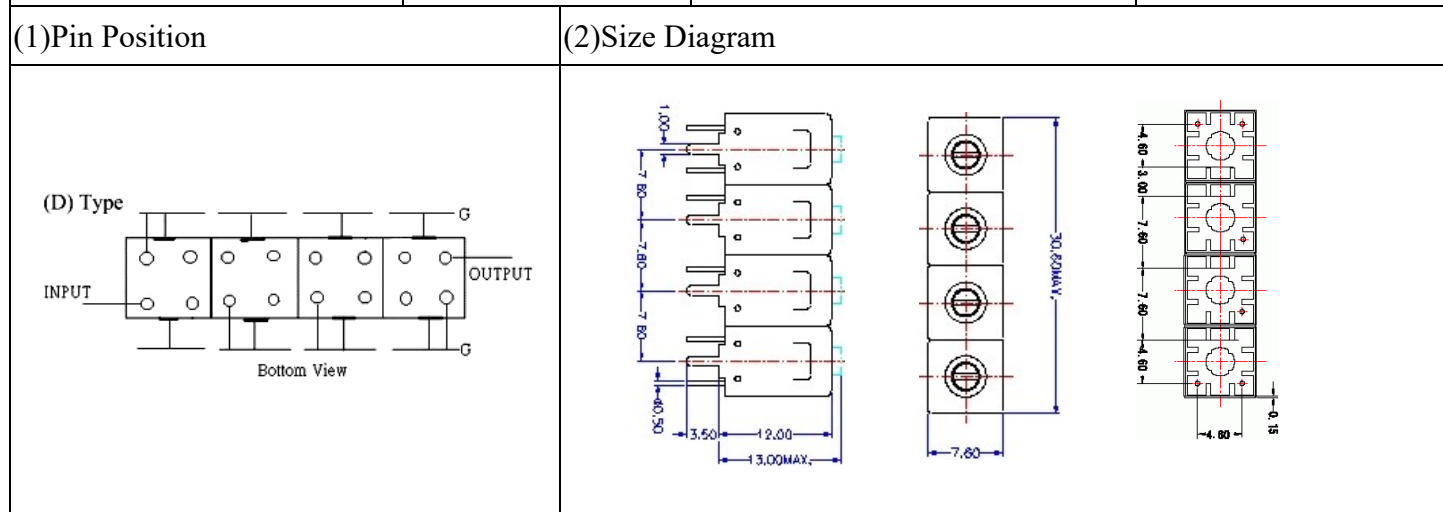


VHF UHF Helical Filter Specification Sheet

Customer Name		Temwell's Part No.	TF69399D-149.5M
Approval No. /dated	20201131DB	Acceptable Specify Fo. Range	146~165MHz
Work Instruction No.	20201131DB	Date	Feb.02.2002



(3)Electric Character

Item	Specify	Performance
Center Freq.(Fo) +/- 0.5 %	149.5 MHz	149.5 MHz
Insertion Loss	Typ. 2.0 dB	1.39 dB
-1 dB Bandwidth	Typ. 30 MHz	31 MHz
-3 dB Bandwidth	Typ. 35 MHz	36 MHz
Sensitivity (Attenuation)	Fo - 50 MHz	Typ. 42 dBc
	Fo + 50 MHz	Typ. 31 dBc
	Fo - ()MHz	Typ. dBc
	Fo +()MHz	Typ. dBc
Return Loss	Min. 12 dB	20.7 dB
Ripple	< 1 dB	dB
Impedance	In / Out : 50 Ω	In / Out : 50 Ω
(4)Torque for Tuning Screw	> 100gf • cm	

(5)Temperature Condition:

Operating Temperature	0°C ~ +60°C
Storage Temperature	-20°C ~ +70°C

(6)Input Power

	> 1Watt
--	---------

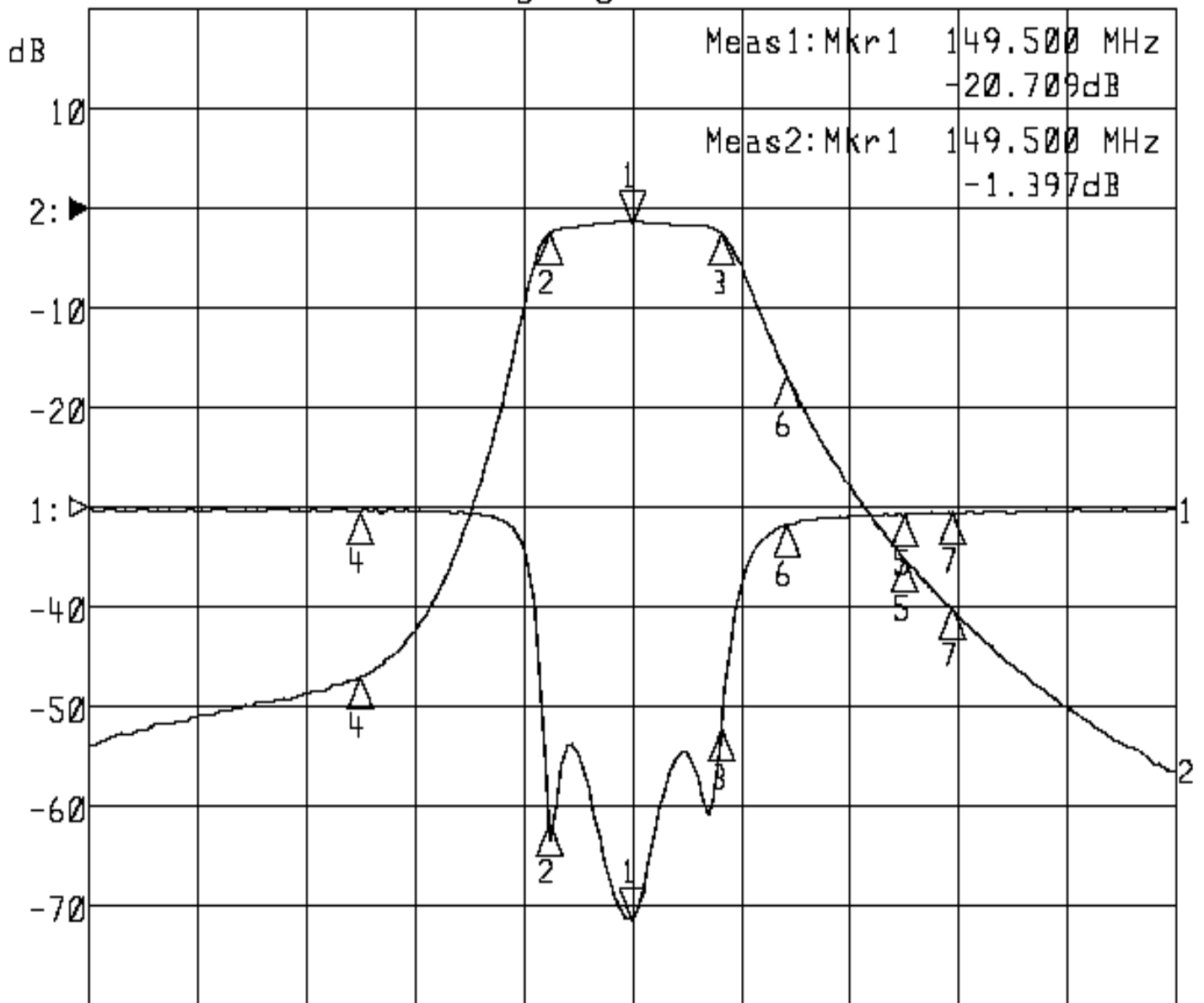
Approval	Supervisor	Designer	Aperture size
C.Y.Chang	C.S.Chang	C.S.Chang	7H4S(4*8.0) 7H00LB6

TEMWELL CORPORATION

Performance-TF69399D-149.5M

20201131DB

▷1:S11 Refl Port1 Log Mag 5.0 dB/ Ref 0.00 dB C
▶2:S21 Fwd Trans Log Mag 10.0 dB/ Ref 0.00 dB C



Center 149.500 MHz

Span 200.000 MHz

1:Mkr (MHz)	dB	2:Mkr (MHz)	dB
1> 149.5000	-20.709	1> 149.5000	-1.397
2: 134.3000	-15.919	2: 134.3000	-2.425
3: 165.8333	-11.171	3: 165.8333	-2.471
4: 99.5000	-0.192	4: 99.5000	-46.991
5: 199.5000	-0.417	5: 199.5000	-35.148
6: 178.0000	-0.914	6: 178.0000	-16.748
7: 208.0000	-0.273	7: 208.0000	-40.088