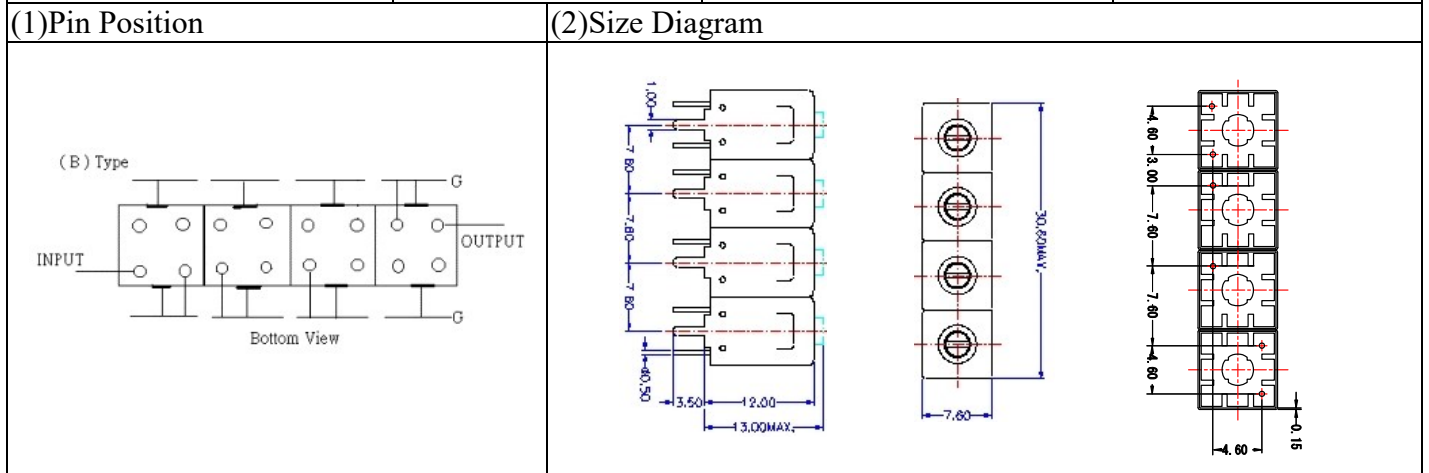


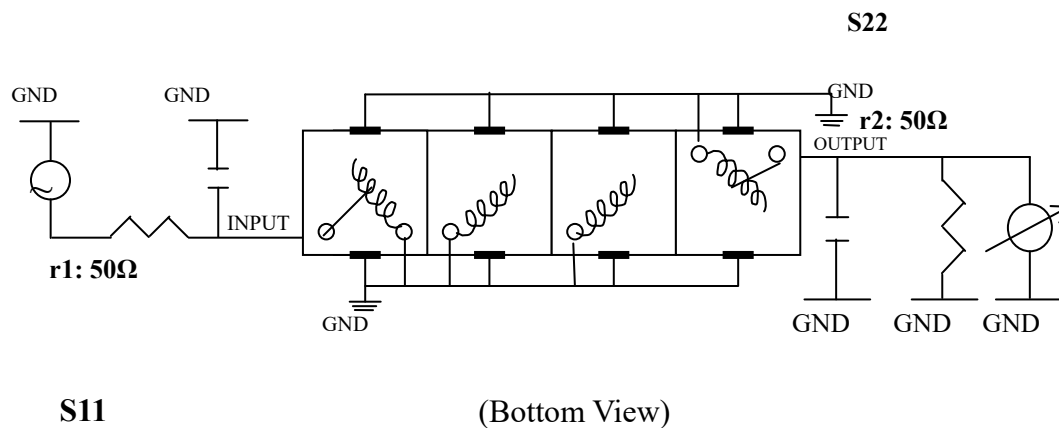
# VHF UHF Helical Filter Specification Sheet

Customer Name		Temwell's Part No.	TF69410B-435M
Approval No. /dated	201803025CD	Temwell's Print Name	69410B 435M
Work Instruction No.	201803025CD	Date	Mar.21.2018



(3) Electric Characteristic			
Item	Specify		Performance
Center Freq.(Fo) +/- 0.5 %	435	MHz	435 MHz
Insertion Loss	Typ. 3.0	dB	1.74 dB
-3 dB Bandwidth	Typ. 31	MHz	34.4 MHz
Sensitivity (Attenuation)	Fo - 100 MHz	Typ. 60 dBc	78 dBc
	Fo + 100 MHz	Typ. 60 dBc	79 dBc
	Fo - ( )MHz	Typ. dBc	dBc
	Fo + ( )MHz	Typ. dBc	dBc
Return Loss	Min. 12	dB	24.9 dB
Ripple	< 1	dB	dB
Impedance	In / Out : 50 Ω		In / Out : 50 Ω
(4) Torque for Tuning Screw			
		> 60gf • cm	
(5) Temperature Condition:			
Operating Temperature	0°C ~ +60°C		
Storage Temperature	-20°C ~ +70°C		
(6) Input Power			
		> 1 Watt	

(7) Measuring Circuit: ※Easy to match Impedance S11/S22 50Ω by parallel with about(- -).



Approval	Supervisor	Designer	Aperture size
C.Y.Chang	C.K.Chang	P.H.Chiang	7H4S(4*6.35)(6.40) 7H046LB5
TEMWELL CORPORATION			

# Performance-TF69410B-435M

## 201803025CD

