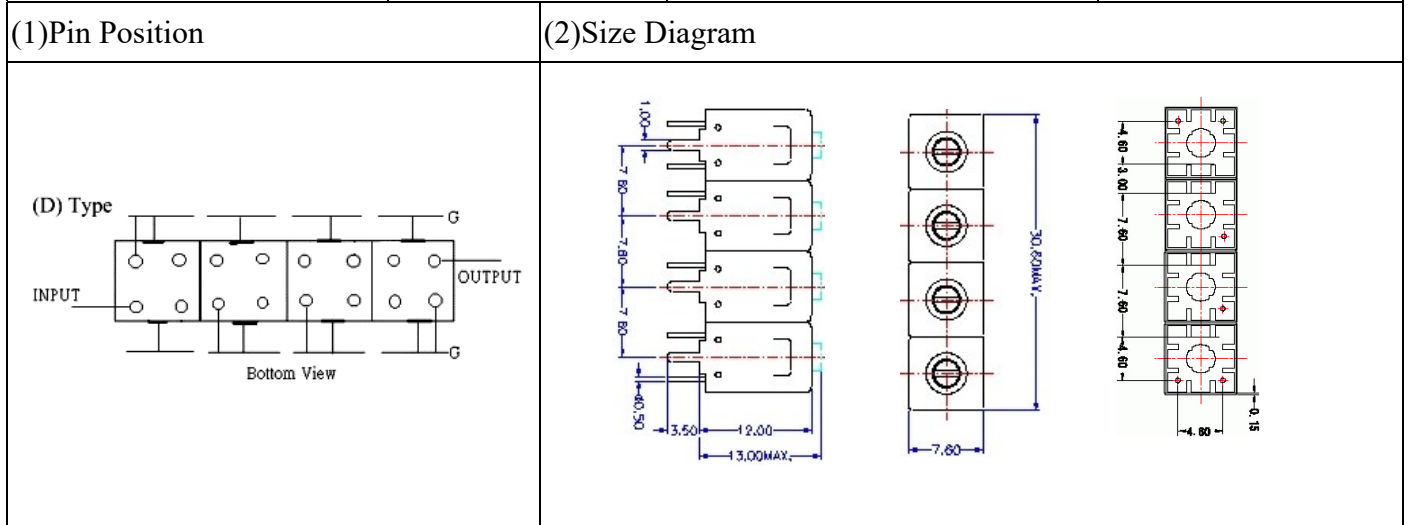


VHF UHF Helical Filter Specification Sheet

Customer Name		Temwell's Part No.	TF69426D-1260M
Approval No. /dated	20405037DB	Acceptable Specify Fo. Range	1251~1300MHz
Work Instruction No.	20405037DB	Date	May.21.2004



(3) Electric Character

Item	Specify	Performance
Center Freq.(Fo) +/- 0.5 %	1260 MHz	1260 MHz
Insertion Loss	Typ. 5.0 dB	4.21 dB
-3 dB Bandwidth	Typ. 28 MHz	31.8 MHz
Sensitivity (Attenuation)	Fo - 50 MHz	Typ. 38 dBc
	Fo + 50 MHz	Typ. 27 dBc
	Fo - ()MHz	Typ. dBc
	Fo +()MHz	Typ. dBc
Return Loss	Min. 12 dB	17.1 dB
Ripple	< 1 dB	dB
Impedance	In / Out : 50 Ω	In / Out : 50 Ω

(4) Torque for Tuning Screw > 100gf • cm

(5) Temperature Condition:

Operating Temperature	0°C ~ +60°C
Storage Temperature	-20°C ~ +70°C

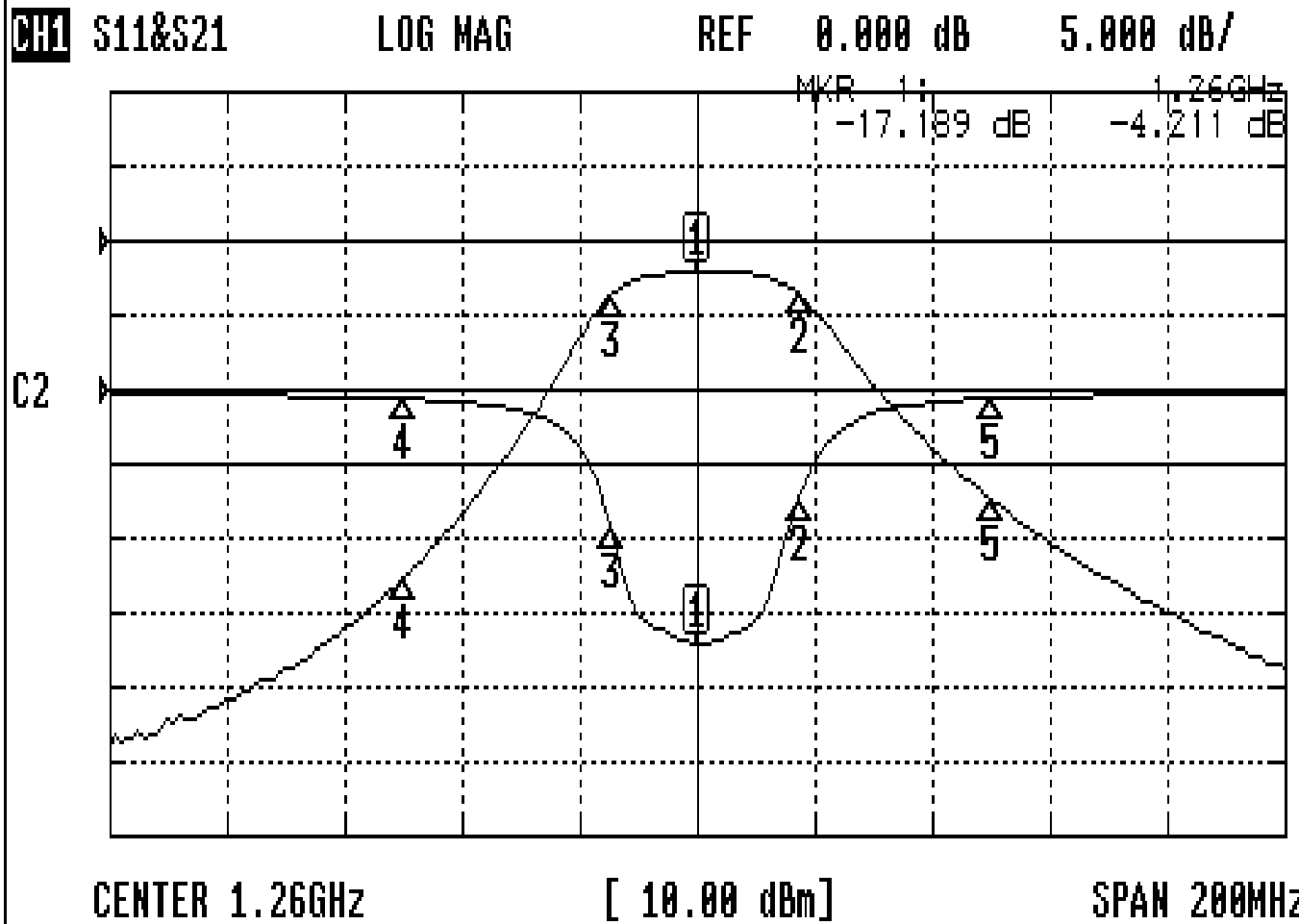
(6) Input Power > 1 Watt

Approval	Supervisor	Designer	Aperture size
C.Y.Chang	C.S.Chang	C.S.Chang	7H4S(4*5.5)(4*5.61) 7H046LB4

TEMWELL CORPORATION

Performance-TF69426D-1260M

20405037DB



CH1 MARKER LIST

1:	1.260 000GHz	-17.182 dB	-4.210 dB
2:	1.277 333GHz	-7.360 dB	-7.274 dB
3:	1.245 500GHz	-9.361 dB	-7.223 dB
4:	1.210 000GHz	-0.586 dB	-45.313 dB
5:	1.310 000GHz	-0.575 dB	-34.722 dB
6:			
7:			
8:			
9:			
10:			