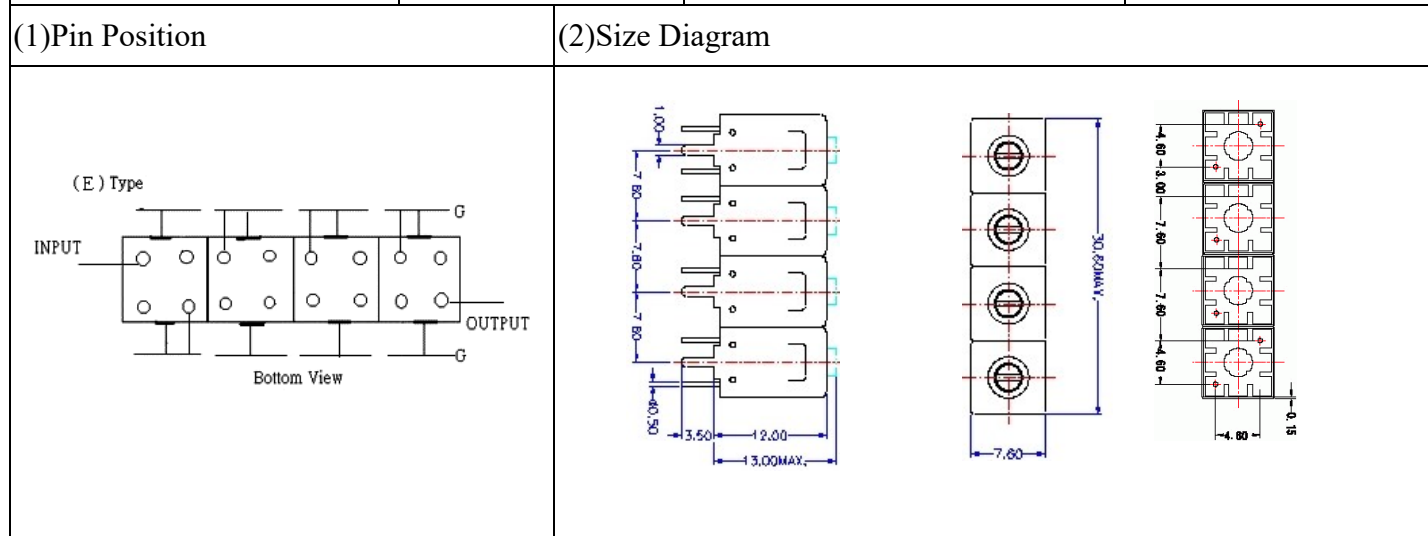


# VHF UHF Helical Filter Specification Sheet

Customer Name		Temwell's Part No.	TF69437E-341.4M
Approval No. /dated	20011033DC	Acceptable Specify Fo. Range	311~355MHz
Work Instruction No.	20011033DC	Date	Nov.16.2000



(3) Electric Character

Item	Specify	Performance
Center Freq.(Fo ) +/- 0.5 %	341.4 MHz	341.4 MHz
Insertion Loss	Typ. 3.5 dB	2.48 dB
-3 dB Bandwidth	Typ. 19 MHz	21 MHz
Sensitivity (Attenuation)	Fo - 50 MHz	Typ. 58 dBc
	Fo + 50 MHz	Typ. 50 dBc
	Fo - ( )MHz	Typ. dBc
	Fo +( )MHz	Typ. dBc
Return Loss	Min. 12 dB	21.6 dB
Ripple	< 1 dB	1 dB
Impedance	In / Out : 50 Ω	In / Out : 50 Ω
(4) Torque for Tuning Screw	> 100gf · cm	

(5) Temperature Condition:

Operating Temperature	0°C ~ +60°C
Storage Temperature	-20°C ~ +70°C

(6) Input Power

	> 1Watt
--	---------

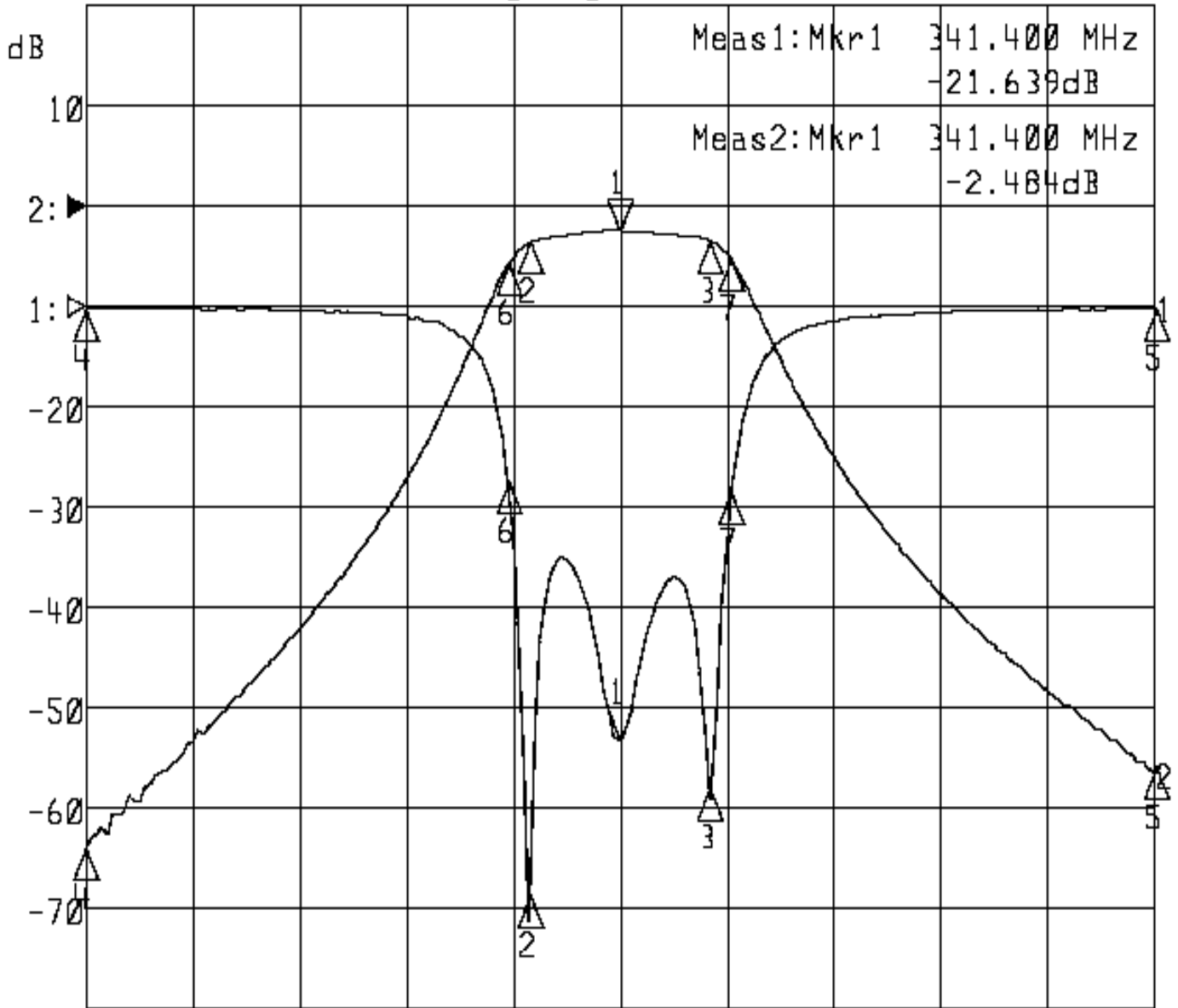
Approval	Supervisor	Designer	Aperture size
C.Y.Chang	C.S.Chang	Z.M.Wong	7H4S(4*4.5) 7H046LB5

TEMWELL CORPORATION

# Performance-TF69437E-341.4M

## 20011033DC

▷1:S11 Refl Port1 Log Mag 5.0 dB/ Ref 0.00 dB C  
▶2:S21 Fwd Trans Log Mag 10.0 dB/ Ref 0.00 dB C



Center 341.400 MHz

Span 100.000 MHz

1: Mkr (MHz)	dB	2: Mkr (MHz)	dB
1> 341.4000	-21.639	1> 341.4000	-2.484
2: 332.9667	-29.328	2: 332.9667	-3.605
3: 349.8000	-23.982	3: 349.8000	-3.393
4: 291.4000	-0.091	4: 291.4000	-63.908
5: 391.4000	-0.098	5: 391.4000	-55.919
6: 330.9333	-8.769	6: 330.9333	-5.717
7: 351.8333	-9.207	7: 351.8333	-5.351