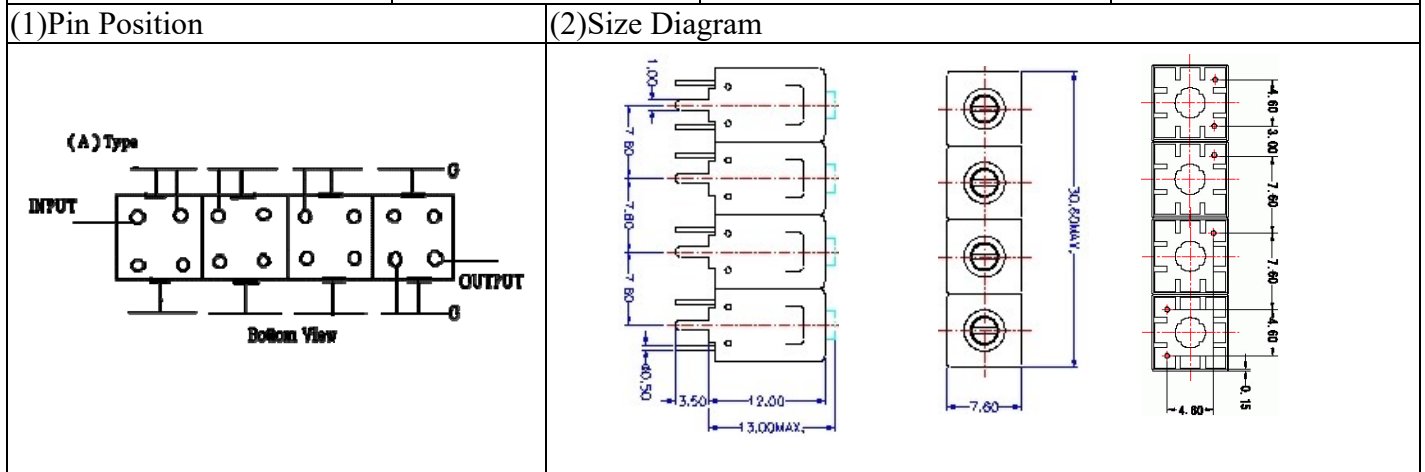
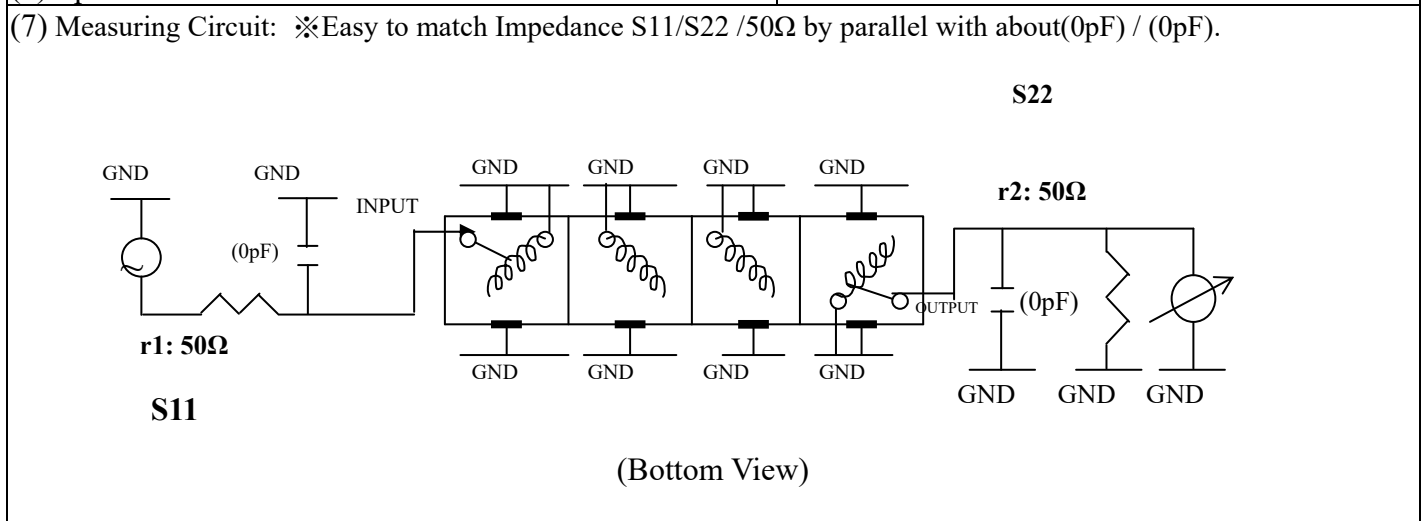


VHF UHF Helical Filter Specification Sheet

Customer Name		Temwell's Part No.	TF69450A-836.5M
Approval No. /dated	0903045CD	Temwell's Print Name	69450A 836.5M
Work Instruction No.	200903045CD	Date	Mar.25.2009



(3) Electric Characteristic			
Item		Specify	Performance
Center Freq.(Fo) +/- 0.5 %		836.5 MHz	836.5 MHz
Insertion Loss		Typ. 3.5 dB	2.77 dB
-3 dB Bandwidth		Typ. 25 MHz	28.6 MHz
Sensitivity (Attenuation)	Fo - 50 MHz	Typ. 51 dBc	54 dBc
	Fo + 50 MHz	Typ. 37 dBc	40 dBc
	Fo - ()MHz	Typ. dBc	dBc
	Fo + ()MHz	Typ. dBc	dBc
Return Loss		Min. 12 dB	20.1 dB
Ripple		< 1 dB	dB
Impedance		In / Out : 50 Ω	In / Out : 50 Ω
(4) Torque for Tuning Screw		> 100gf · cm	
(5) Temperature Condition:			
Operating Temperature		0°C ~ +60°C	
Storage Temperature		-20°C ~ +70°C	
(6) Input Power		> 1Watt	



Approval	Supervisor	Designer	Aperture size
C.Y.Chang	C.K.Chang	C.S.Chang	7H4(4*5.5F)(5.57) (7H046LB4.3 聚 3)

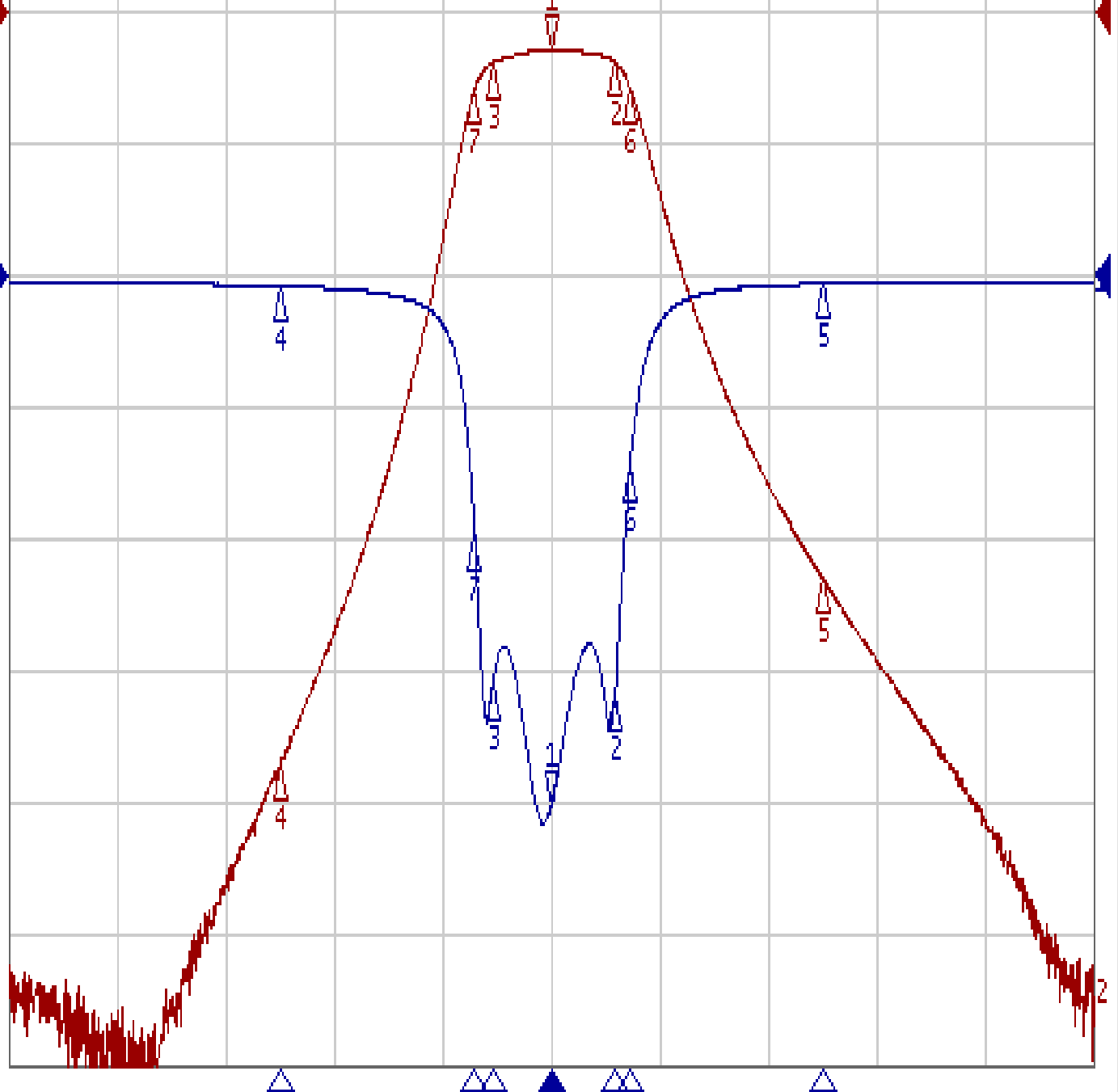
TEMWELL CORPORATION

Performance-TF69450A-836.5M

200903045CD

Tr1 S11 Log Mag 5.000dB/ Ref 0.000dB [F3]
Tr2 S21 Log Mag 10.000dB/ Ref 0.000dB [F3]

1	836.50000 MHz	-2.7731 dB	>1	836.50000 MHz	-20.135 dB
2	848.29600 MHz	-3.7255 dB	2	848.29600 MHz	-15.977 dB
3	825.75575 MHz	-3.7742 dB	3	825.75575 MHz	-15.610 dB
4	786.50000 MHz	-57.101 dB	4	786.50000 MHz	-0.3743 dB
5	886.50000 MHz	-43.017 dB	5	886.50000 MHz	-0.2861 dB
6	851.07800 MHz	-5.7138 dB	6	851.07800 MHz	-7.2737 dB
7	822.45200 MHz	-5.7858 dB	7	822.45200 MHz	-9.8970 dB



1 Center 836.5 MHz

IFBW 10 kHz

Span 200 MHz

