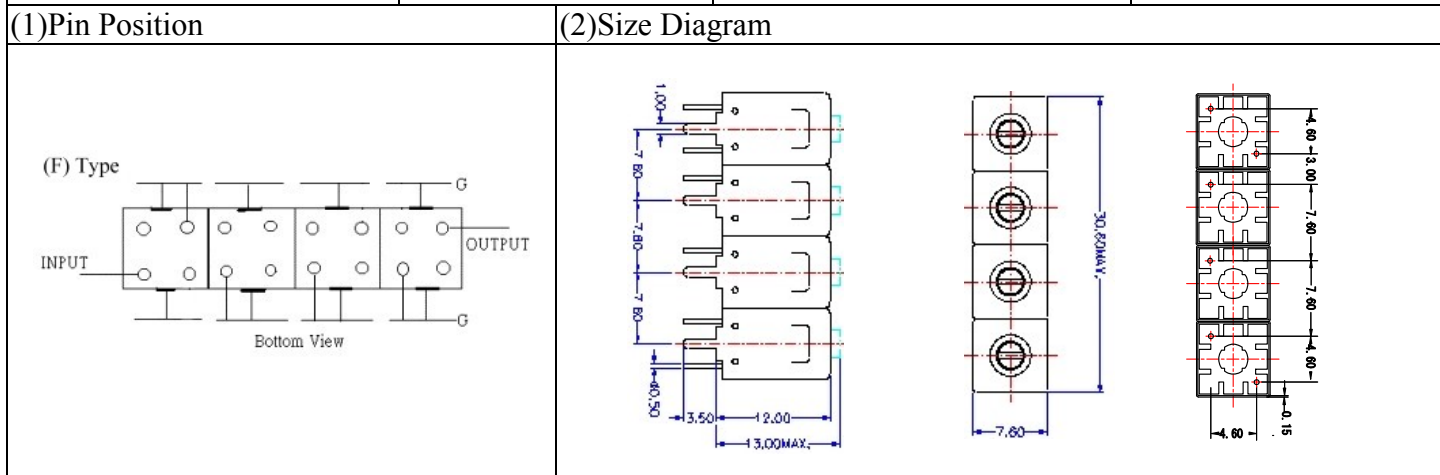


# VHF UHF Helical Filter Specification Sheet

Customer Name		Temwell's Part No.	TF69460F-406M
Approval No. /dated	201703028CD	Temwell's Print name	69460F 406M
Work Instruction No.	201703028CD	Date	Mar.01.2017



### (3) Electric Characteristic

Item	Specify	Performance	
Center Freq.(Fo ) +/- 0.5 %	406 MHz	406 MHz	
Insertion Loss	Typ. 3.0 dB	2.23 dB	
-3 dB Bandwidth	Typ. 18 MHz	22.4 MHz	
Sensitivity (Attenuation)	Fo - (50) MHz	Typ. 55 dBc	65 dBc
	Fo + (50) MHz	Typ. 53 dBc	58 dBc
	Fo - ( ) MHz	Typ. dBc	dBc
	Fo +( ) MHz	Typ. dBc	dBc
Return Loss	Min. 12 dB	19.6 dB	
Ripple	< 1 dB	dB	
Impedance	In / Out : 50 Ω	In / Out : 50 Ω	

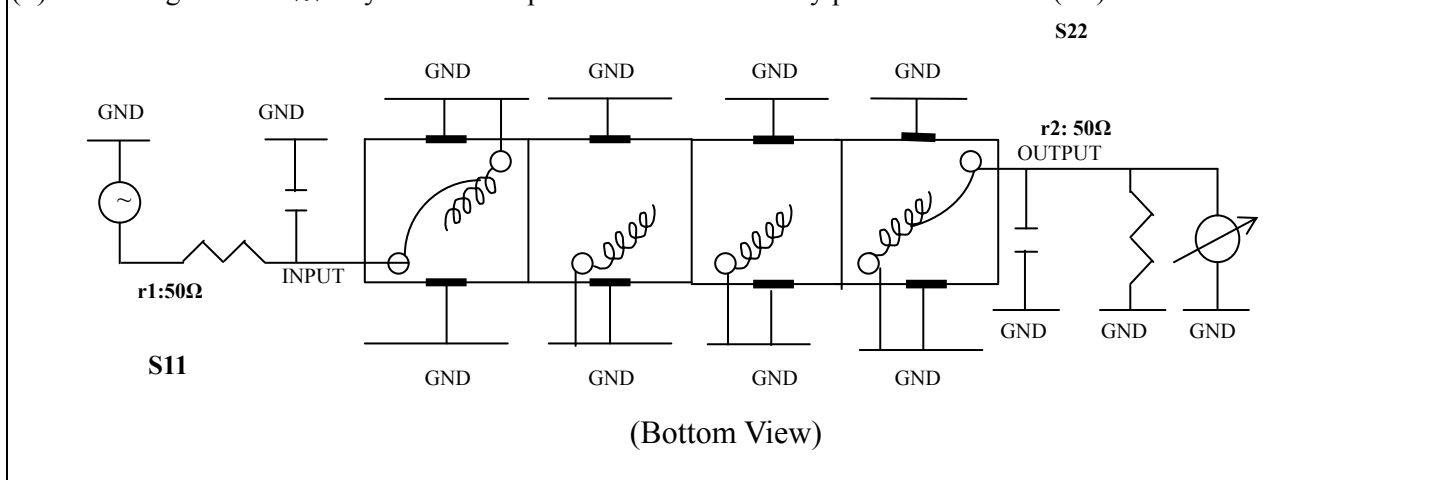
(4) Torque for Tuning Screw > 60gf · cm

(5) Temperature Condition:

Operating Temperature	0°C ~ +60°C
Storage Temperature	-20°C ~ +70°C

(6) Input Power > 1Watt

(7) Measuring Circuit: ※Easy to match Impedance S11/S22 50Ω by parallel with about( -- ).



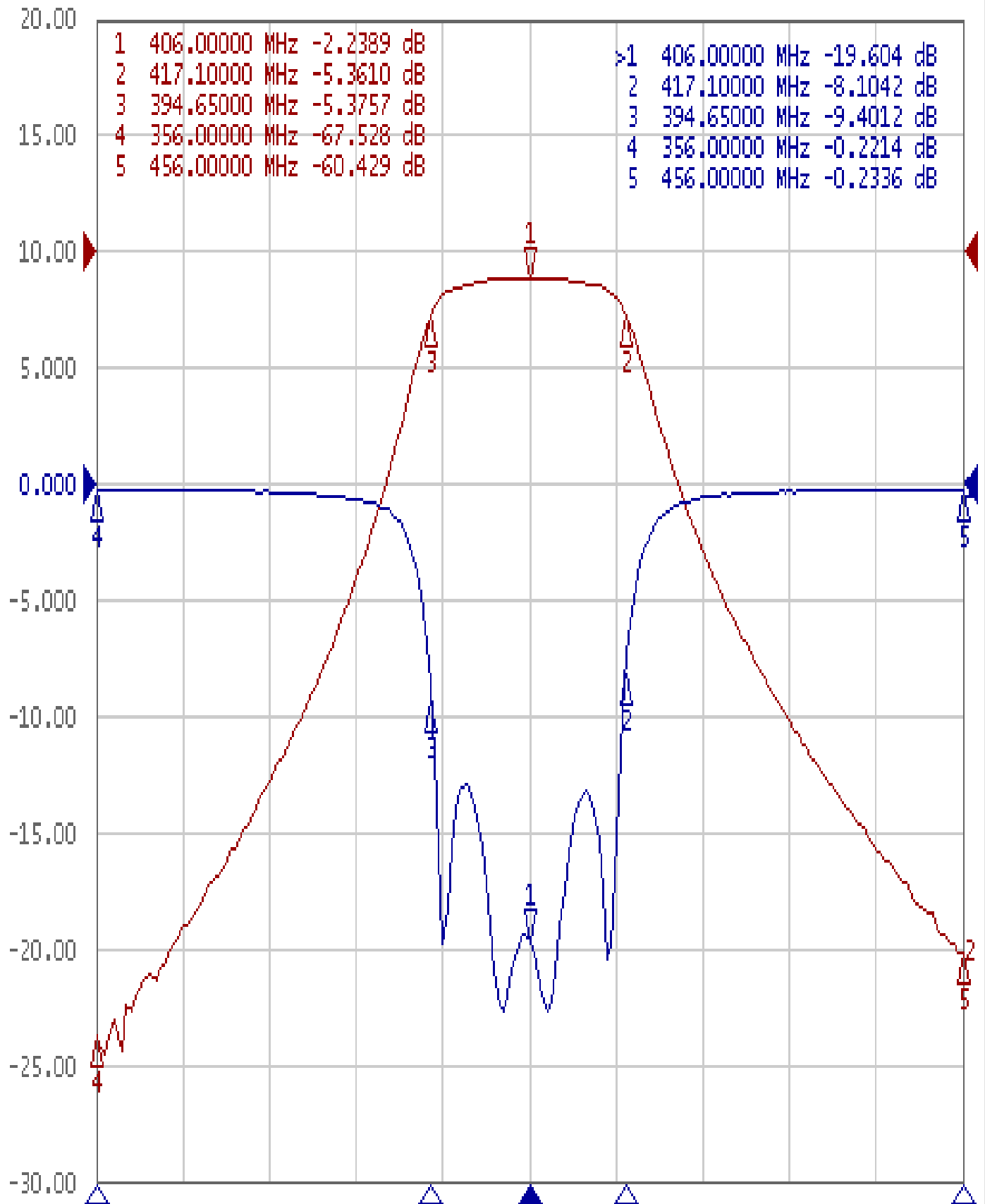
Approval	Supervisor	Designer	Aperture size
C.Y.Chang	C.K.Chang	W.W.Wang	7H4S(4*6.8)(6.85) 7H046RB4.

TEMWELL CORPORATION

# Performance-TF69460F-406M

## 201703028CD

Tr1 S11 Log Mag 5.000dB/ Ref 0.000dB [F2]  
Tr2 S21 Log Mag 10.00dB/ Ref 0.000dB [F2]



1 Center 406 MHz

IFBW 70 kHz

Span 100 MHz

Cor !