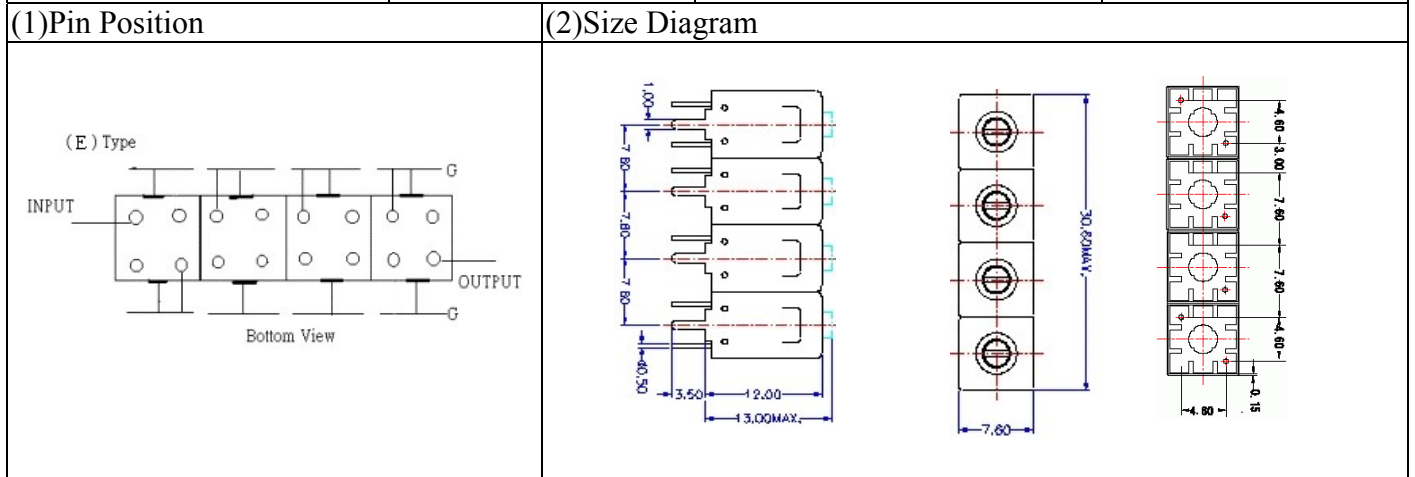


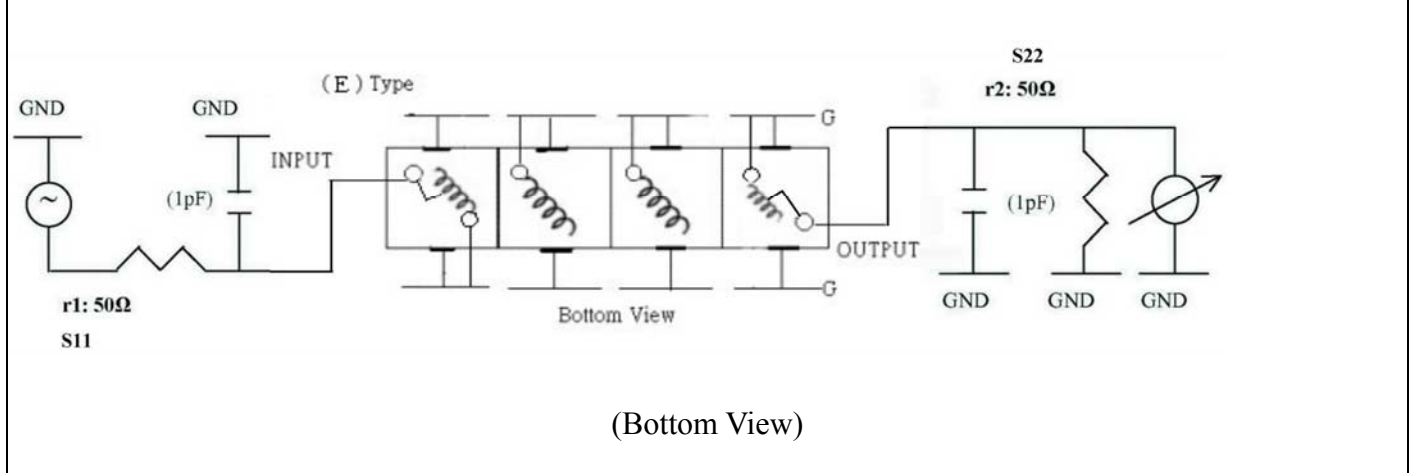
VHF UHF Helical Filter Specification Sheet

Customer Name		Temwell's Part No.	TF69463E-465M
Approval No. /dated		Acceptable Specify Fo Range	456~515MHz
Work Instruction No.	0701135B	Date	Jan.22.2007



(3) Electric Characteristic			
Item		Specify	Performance
Center Freq.(Fo) +/- 0.5 %		465 MHz	465 MHz
Insertion Loss		Typ. 4.5 dB	3.32 dB
-3 dB Bandwidth		Typ. 10 MHz	16.3 MHz
Sensitivity (Attenuation)	Fo - 50 MHz	Typ. 60 dBc	72 dBc
	Fo + 50 MHz	Typ. 55 dBc	59 dBc
	Fo - ()MHz	Typ. dBc	dBc
	Fo +()MHz	Typ. dBc	dBc
Return Loss		Min. 12 dB	21.0 dB
Ripple		< 1 dB	dB
Impedance		In / Out : 50 Ω	In / Out : 50 Ω
(4) Torque for Tuning Screw		> 60gf • cm	
(5) Temperature Condition:			
Operating Temperature		-0°C ~ +60°C	
Storage Temperature		-20°C ~ +70°C	
(6) Input Power		> 1 Watt	

(7) Measuring Circuit: ※Easy to match Impedance S11/S22 50Ω/ by parallel with about (0 pF) / (0 pF).

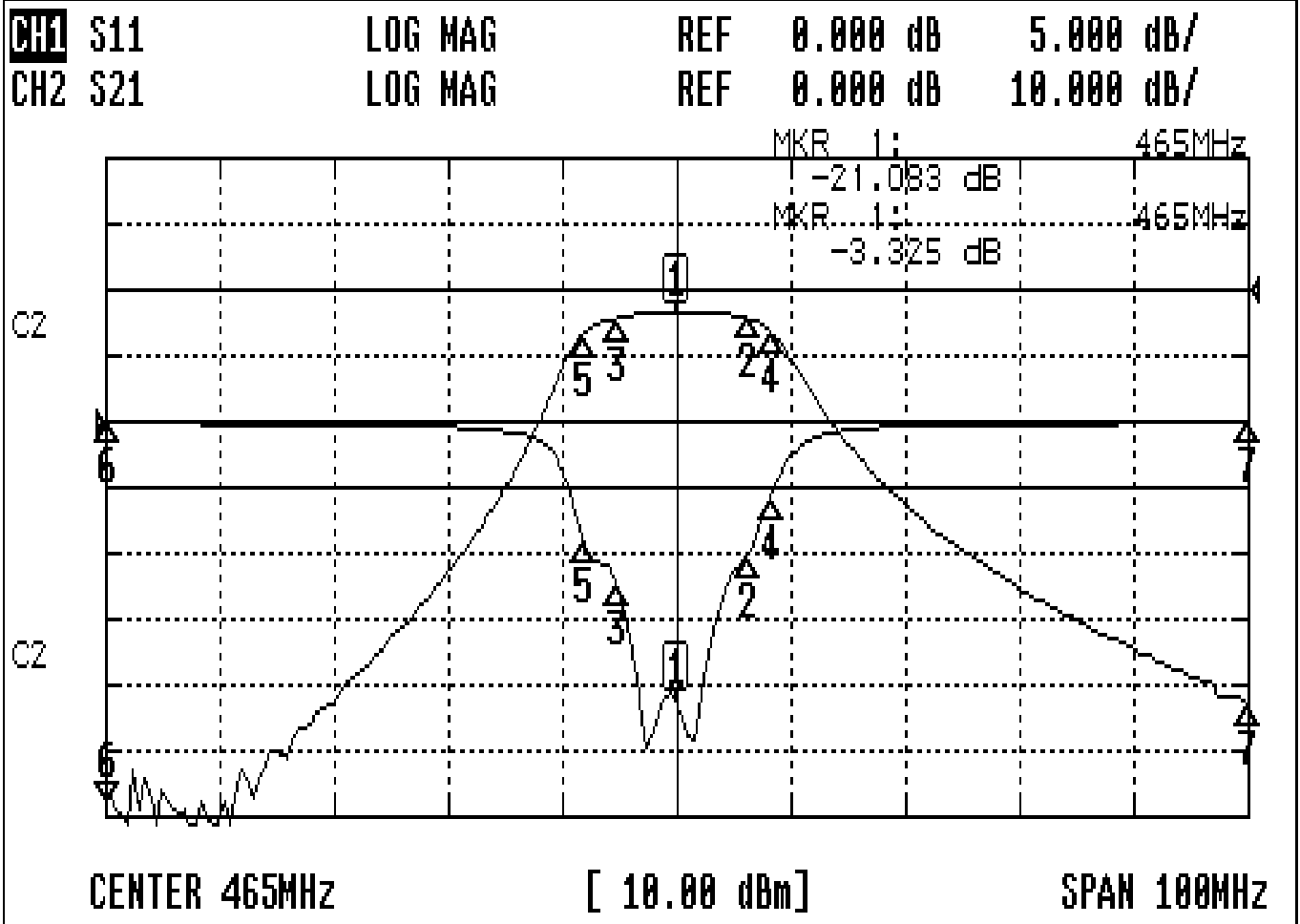


Approval	Supervisor	Designer	Aperture size
C.Y.Chang	C.S.Chang	P.H.Chiang	7H4(4*5.5) 7H046RB4

TEMWELL CORPORATION

Performance-TF69463E-465M

0701135B



CH1 MARKER LIST

1:	465.000MHz	-21.083	dB
2:	471.166MHz	-10.081	dB
3:	459.833MHz	-12.414	dB
4:	473.250MHz	-5.885	dB
5:	456.916MHz	-9.250	dB
6:	415.000MHz	-0.142	dB
7:	515.000MHz	-0.112	dB

CH2 MARKER LIST

1:	465.000MHz	-3.327	dB
2:	471.166MHz	-4.347	dB
3:	459.833MHz	-4.329	dB
4:	473.250MHz	-6.446	dB
5:	456.916MHz	-6.467	dB
6:	415.000MHz	-75.576	dB
7:	515.000MHz	-62.944	dB