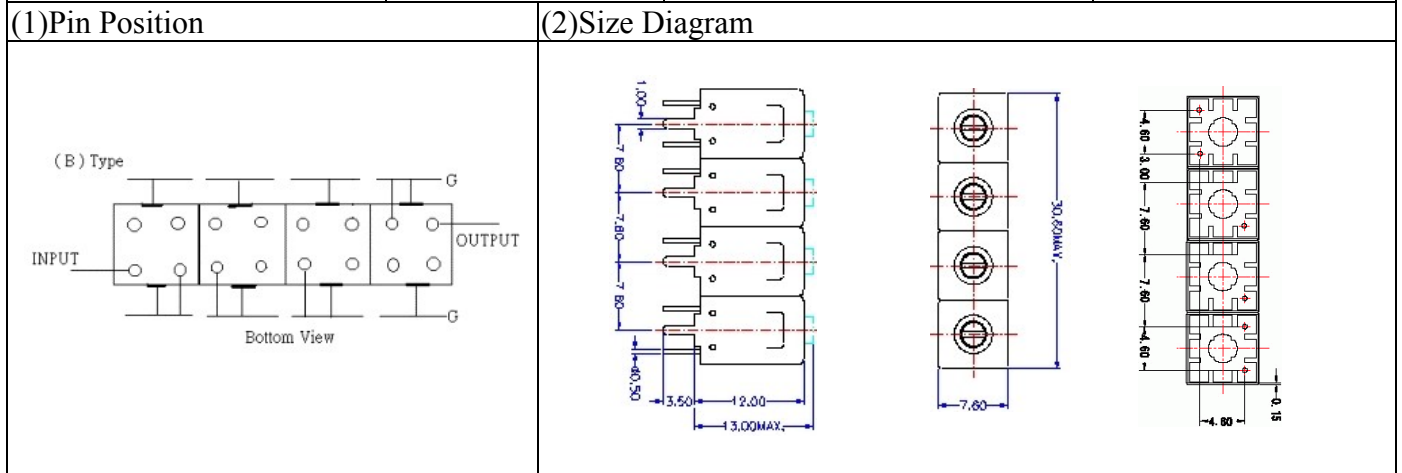


VHF UHF Helical Filter Specification Sheet

Customer Name		Temwell's Part No.	TF69466B-433M
Approval No. /dated	0807054APR	Acceptable Specify Fo Range	401~455MHz
Work Instruction No.	0807054CD	Date	Jul.23.2008



(3) Electric Characteristic			
Item		Specify	Performance
Center Freq.(Fo) +/- 0.5 %		433 MHz	433 MHz
Insertion Loss		Typ. 3.5 dB	2.71 dB
-3 dB Bandwidth		Typ. 15 MHz	17.8 MHz
Sensitivity (Attenuation)	Fo - 30 MHz	Typ. 47 dBc	50 dBc
	Fo + 30 MHz	Typ. 37 dBc	40 dBc
	Fo - ()MHz	Typ. dBc	dBc
	Fo +()MHz	Typ. dBc	dBc
Return Loss		Min. 12 dB	31.2 dB
Ripple		< 1 dB	dB
Impedance		In / Out : 50 Ω	In / Out : 50 Ω

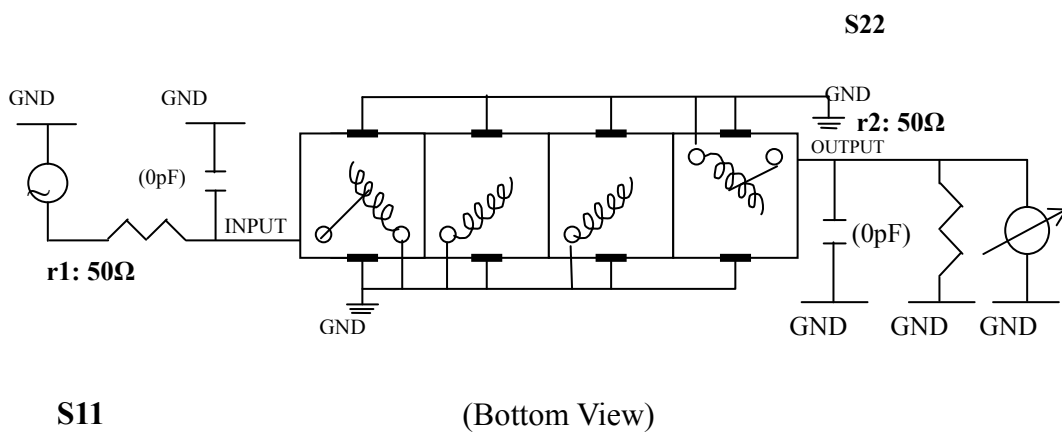
(4) Torque for Tuning Screw > 100gf · cm

(5) Temperature Condition:

Operating Temperature	0°C ~ +60°C
Storage Temperature	-20°C ~ +70°C

(6) Input Power > 1Watt

(7) Measuring Circuit: ※Easy to match Impedance S11/S22 50Ω by parallel with about(0pF) / (0 pF).

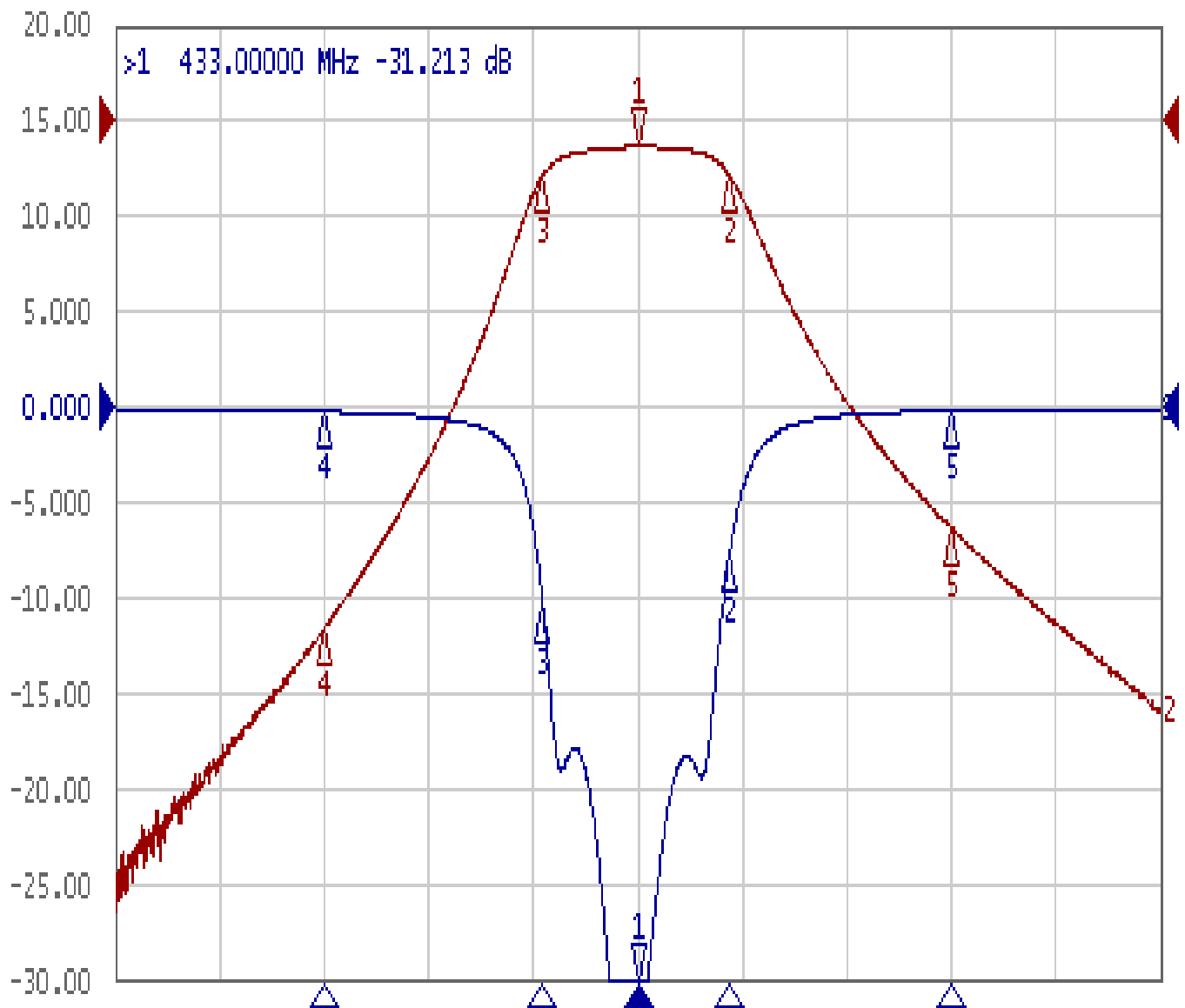


Approval	Supervisor	Designer	Aperture size
C.Y.Chang	C.S.Chang	C.S.Chang	7H4(4*6.5F) (7H046LB4 聚 3)
TEMWELL CORPORATION			

Performance-TF69466B-433M

0807054CD

▶ Tr1 S11 Log Mag 5.000dB/ Ref 0.000dB [F3]
Tr2 S21 Log Mag 10.00dB/ Ref 0.000dB [F3]



1 Center 433 MHz

IFBW 10 kHz

Span 100 MHz

Ch1	Tr1	S11	>1	433.00000	MHz	-31.213	dB
Ch1	Tr1	S11	2	441.75600	MHz	-7.7210	dB
Ch1	Tr1	S11	3	423.90100	MHz	-10.333	dB
Ch1	Tr1	S11	4	403.00000	MHz	-0.2502	dB
Ch1	Tr1	S11	5	463.00000	MHz	-0.1996	dB
Ch1	Tr2	S21	1	433.00000	MHz	-2.7131	dB
Ch1	Tr2	S21	2	441.75600	MHz	-5.7118	dB
Ch1	Tr2	S21	3	423.90100	MHz	-5.6941	dB
Ch1	Tr2	S21	4	403.00000	MHz	-53.228	dB
Ch1	Tr2	S21	5	463.00000	MHz	-42.763	dB