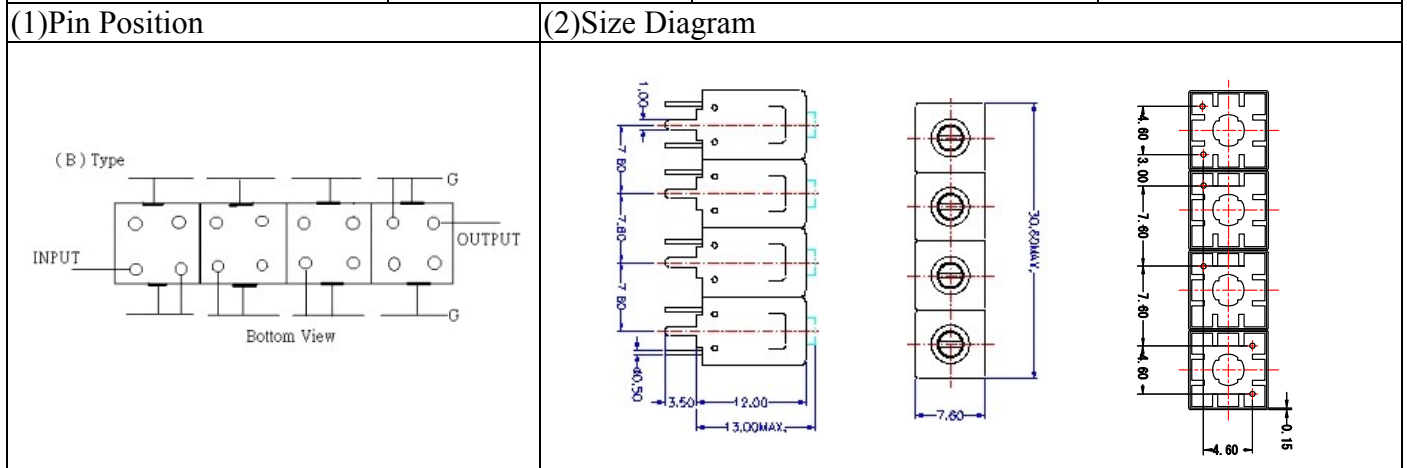


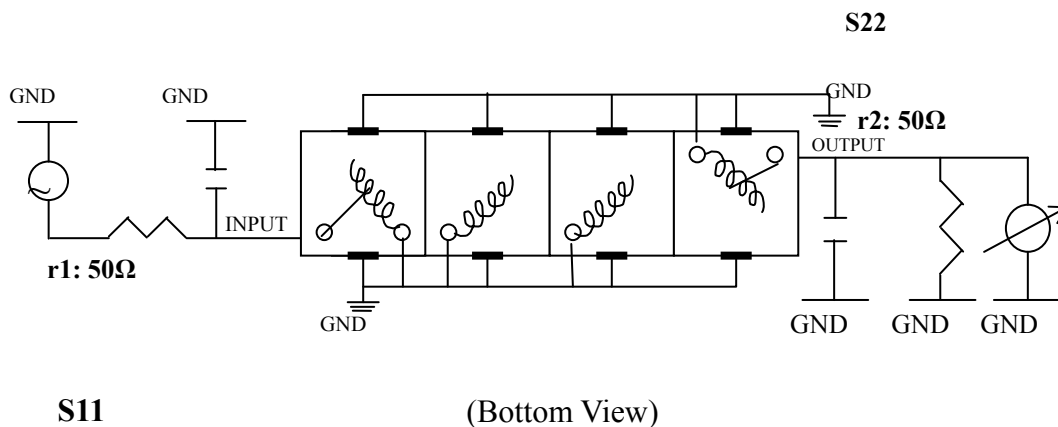
VHF UHF Helical Filter Specification Sheet

Customer Name		Temwell's Part No.	TF69478B-480M
Approval No. /dated	201703043CD	Temwell's Print Name	69478B 480M
Work Instruction No.	201703043CD	Date	Mar.13.2017



(3) Electric Characteristic			
Item		Specify	Performance
Center Freq.(Fo) +/- 0.5 %		480 MHz	480 MHz
Insertion Loss		Typ. 3.0 dB	1.56 dB
-3 dB Bandwidth		Typ. 31 MHz	35.0 MHz
Sensitivity (Attenuation)	Fo - 50 MHz	Typ. 40 dBc	49 dBc
	Fo +50 MHz	Typ. 30 dBc	35 dBc
	Fo - ()MHz	Typ. dBc	dBc
	Fo +()MHz	Typ. dBc	dBc
Return Loss		Min. 12 dB	19.8 dB
Ripple		< 1 dB	dB
Impedance		In / Out : 50 Ω	In / Out : 50 Ω
(4) Torque for Tuning Screw		> 60gf · cm	
(5) Temperature Condition:			
Operating Temperature		0°C ~ +60°C	
Storage Temperature		-20°C ~ +70°C	
(6) Input Power		> 1Watt	

(7) Measuring Circuit: ※Easy to match Impedance S11/S22 50Ω by parallel with about(- -).



Approval	Supervisor	Designer	Aperture size
C.Y.Chang	C.K.Chang	C.S.Chang	7H4S(4*8.0)(8.02) 7H046LB4.3 聚 3

TEMWELL CORPORATION

TEMWELL Form10-7H4B Vision D

RP (C.S.C)

Performance-TF69478B-480M

201703043CD

Tr1 S11 Log Mag 5.000dB/ Ref 0.000dB [F2]
Tr2 S21 Log Mag 10.00dB/ Ref 0.000dB [F2]

