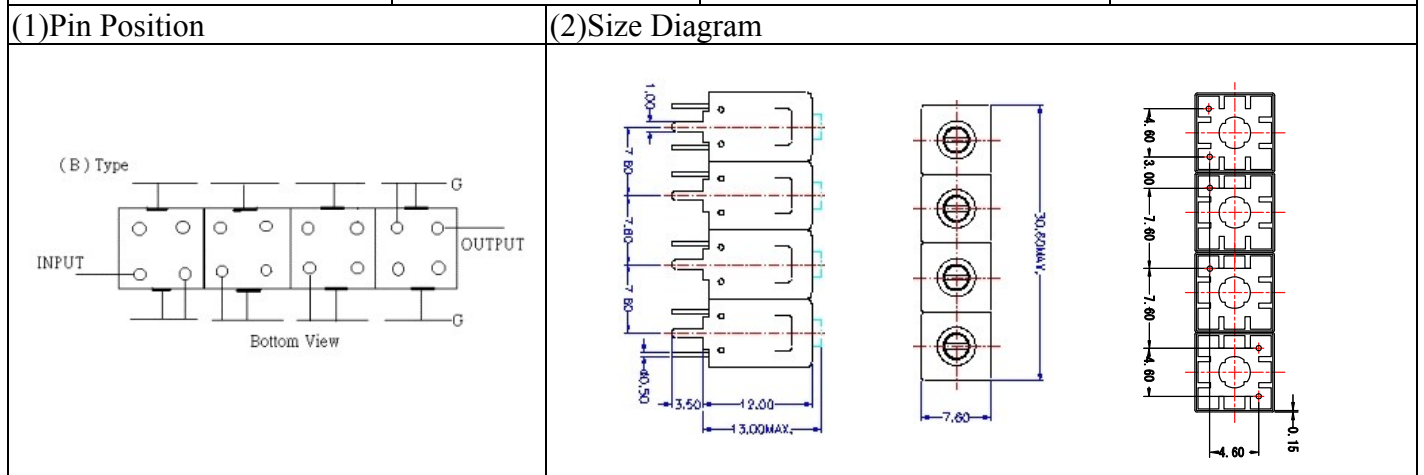
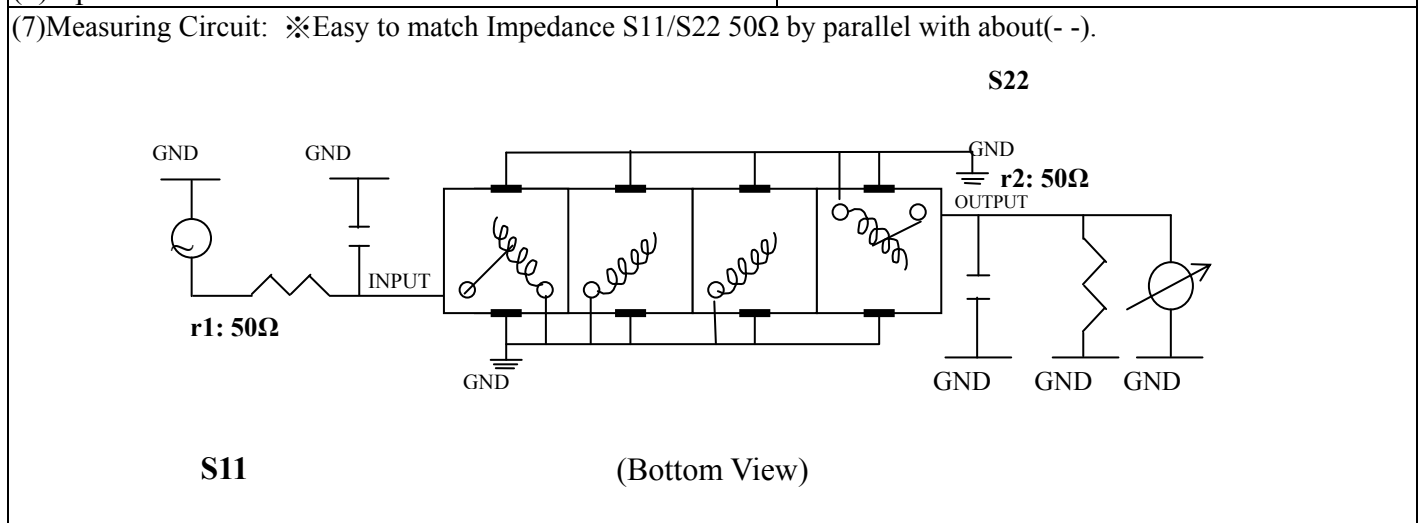


VHF UHF Helical Filter Specification Sheet

Customer Name		Temwell's Part No.	TF69484B-235M
Approval No. /dated	201702014CD	Temwell's Print Name	69484B 235M
Work Instruction No.	201702014CD	Date	Feb.17.2018



(3) Electric Characteristic			
Item	Specify		Performance
Center Freq.(Fo) +/- 0.5 %	235	MHz	235 MHz
Insertion Loss	Typ. 2.0	dB	1.11 dB
-3 dB Bandwidth	Typ. 32	MHz	34.1 MHz
Sensitivity (Attenuation)	Fo - 50 MHz	Typ. 50 dBc	57 dBc
	Fo + 50 MHz	Typ. 30 dBc	35 dBc
	Fo - ()MHz	Typ. dBc	dBc
	Fo + ()MHz	Typ. dBc	dBc
Return Loss	Min. 12	dB	21.7 dB
Ripple	< 1	dB	dB
Impedance	In / Out : 50 Ω		In / Out : 50 Ω
(4) Torque for Tuning Screw	> 60gf · cm		
(5) Temperature Condition:			
Operating Temperature	0°C ~ +60°C		
Storage Temperature	-20°C ~ +70°C		
(6) Input Power	> 1 Watt		



Approval	Supervisor	Designer	Aperture size
C.Y.Chang	C.K.Chang	C.S.Chang	7H4S(4*8.0)(8.02) 7H046RB5.5(J1)
TEMWELL CORPORATION			

Performance-TF69484B-235M

201702014CD

Tr1 S11 Log Mag 5.000dB/ Ref 0.000dB [F2]
Tr2 S21 Log Mag 10.00dB/ Ref 0.000dB [F2]

