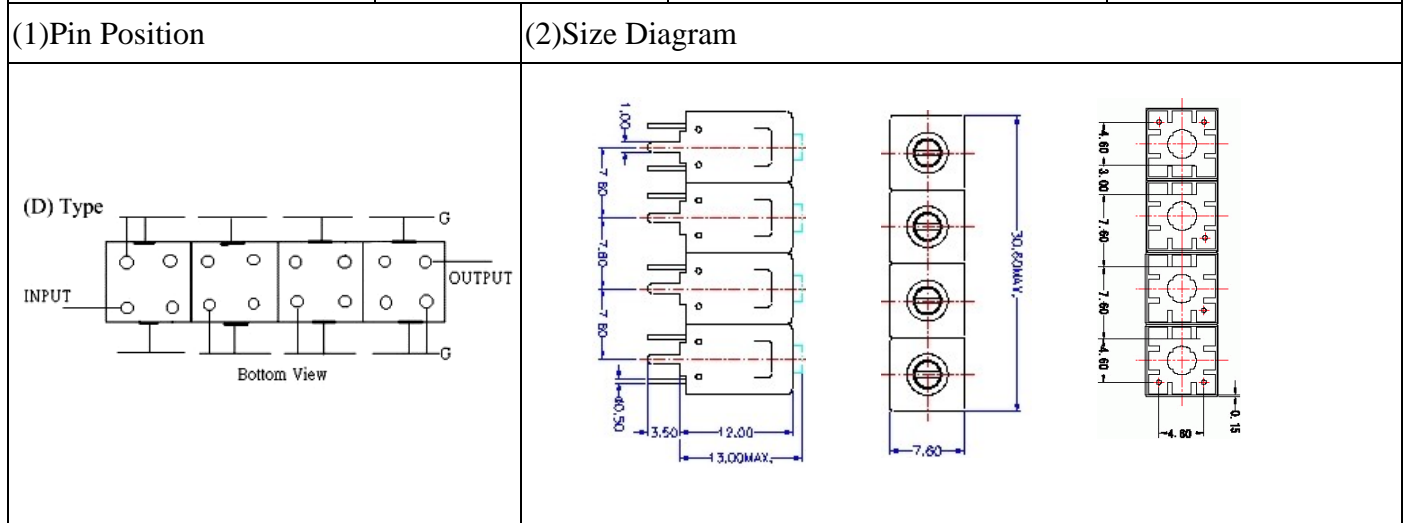


VHF UHF Helical Filter Specification Sheet

Customer Name		Temwell's Part No.	TF69489D-75M
Approval No. /dated	20311060APR	Acceptable Specify Fo. Range	68~75MHz
Work Instruction No.	20311060DB	Date	Dec.02.2003



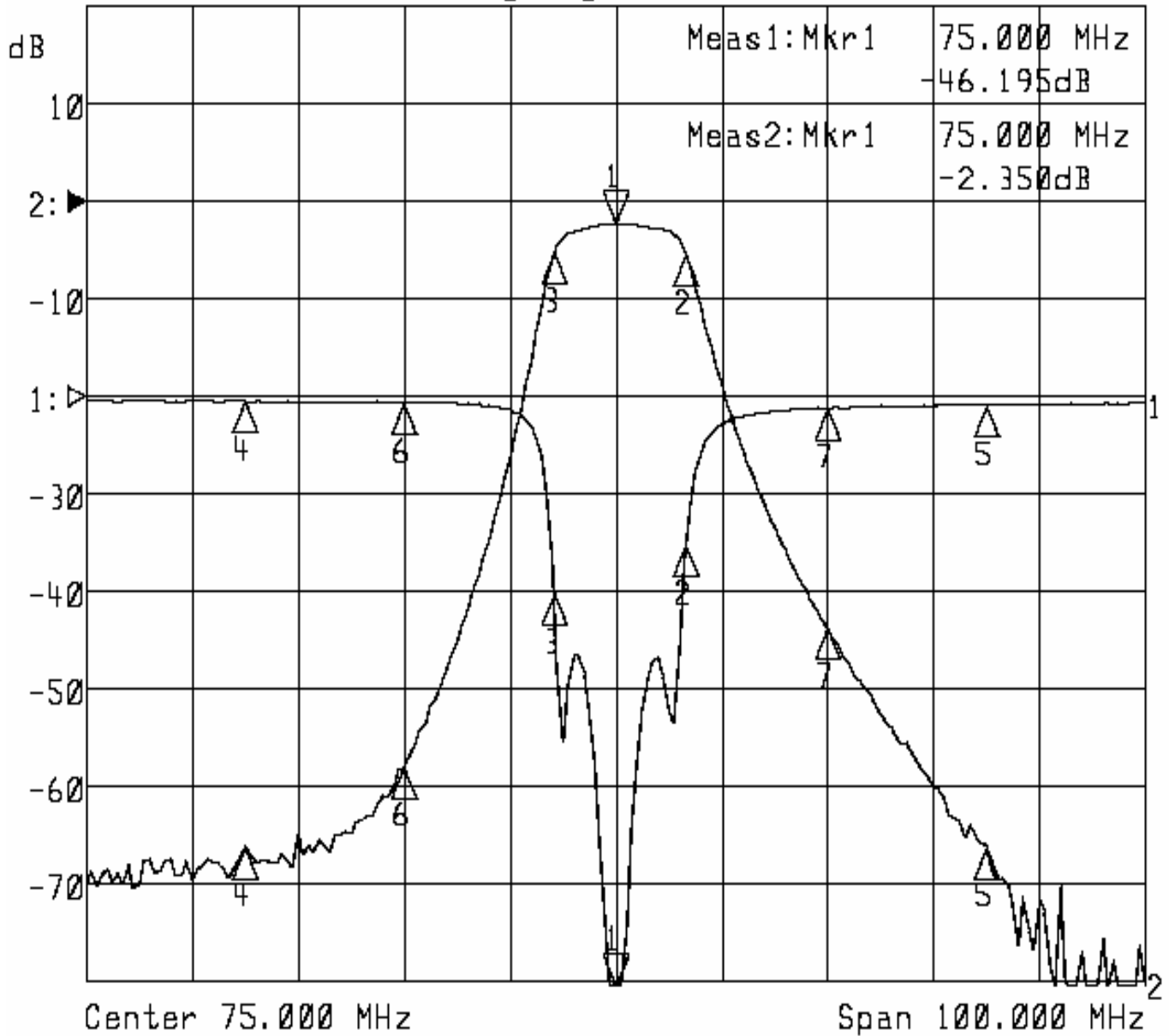
(3)Electric Character			
Item		Specify	Performance
Center Freq.(Fo) +/- 0.5 %		75 MHz	75 MHz
Insertion Loss		Typ. 3.5 dB	2.35 dB
-3 dB Bandwidth		Typ. 11 MHz	12 MHz
Sensitivity (Attenuation)	Fo - 20 MHz	Typ. 53 dBc	56 dBc
	Fo + 20 MHz	Typ. 38 dBc	41 dBc
	Fo - ()MHz	Typ. dBc	dBc
	Fo +()MHz	Typ. dBc	dBc
Return Loss		Min. 12 dB	46.1 dB
Ripple		< 1 dB	dB
Impedance		In / Out : 50 Ω	In / Out : 50 Ω
(4)Torque for Tuning Screw		> 100gf • cm	
(5)Temperature Condition:			
Operating Temperature		0°C ~ +60°C	
Storage Temperature		-20°C ~ +70°C	
(6)Input Power		> 1Watt	
Approval	Supervisor	Designer	Aperture size
C. Y. Chang	C. S. Chang	C. S. Chang	7H4S(4*6.5) 7H00LB6

TEMWELL CORPORATION

Performance-TF69489D-75M

20311060DB

▶1:S11 Refl Port1 Log Mag 5.0 dB/ Ref 0.00 dB C
▶2:S21 Fwd Trans Log Mag 10.0 dB/ Ref 0.00 dB C



1:Mkr (MHz)	dB	2:Mkr (MHz)	dB
1> 75.0000	-46.195	1> 75.0000	-2.350
2: 81.6333	-7.636	2: 81.6333	-5.388
3: 69.1667	-10.140	3: 69.1667	-5.337
4: 40.0000	-0.267	4: 40.0000	-66.167
5: 110.0000	-0.471	5: 110.0000	-66.134
6: 55.0000	-0.379	6: 55.0000	-58.066
7: 95.0000	-0.613	7: 95.0000	-43.807