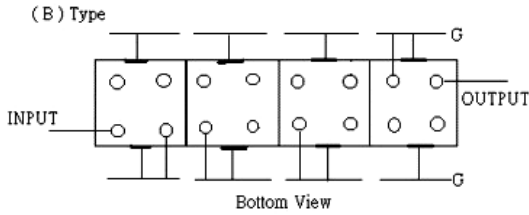
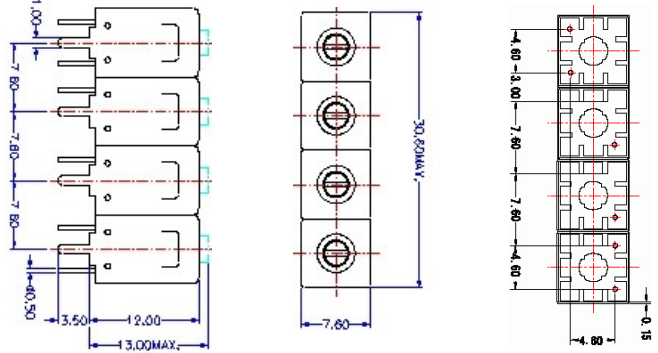


# VHF UHF Helical Filter Specification Sheet

Customer Name		Temwell's Part No.	TF69497B-550M
Approval No. /dated	20201009APR	Acceptable Specify Fo. Range	516~555MHz
Work Instruction No.	20201009DC	Date	Jan.10.2002

(1)Pin Position	(2)Size Diagram
 <p>(B) Type INPUT OUTPUT Bottom View</p>	 <p>1.00 7.80 7.80 7.80 4.00±0.05 3.50 12.00 13.00MAX. 7.80 30.80MAX. 7.80 7.80 7.80 4.80 1.00</p>

### (3)Electric Character

Item	Specify	Performance
Center Freq.(Fo ) +/- 0.5 %	550 MHz	550 MHz
Insertion Loss	Typ. 2.0 dB	1.21 dB
-3 dB Bandwidth	Typ. 69 MHz	72 MHz
Sensitivity (Attenuation)	Fo- 100 MHz Typ. 47 dB <sub>c</sub>	50 dBc
	Fo + 100 MHz Typ. 33 dB <sub>c</sub>	36 dBc
	Fo- ( ) MHz Typ. dB <sub>c</sub>	dBc
	Fo+ ( )MHz Typ. dB <sub>c</sub>	dBc
Return Loss	Min. 12 dB	32.0 dB
Ripple	< 1 dB	dB
Impedance	In / Out : 50 Ω	In / Out : 50 Ω

(4)Torque for Tuning Screw > 100gf • cm

### (5)Temperature Condition:

Operating Temperature	0°C ~ +60°C
Storage Temperature	-20°C ~ +70°C

(6)Input Power > 1Watt

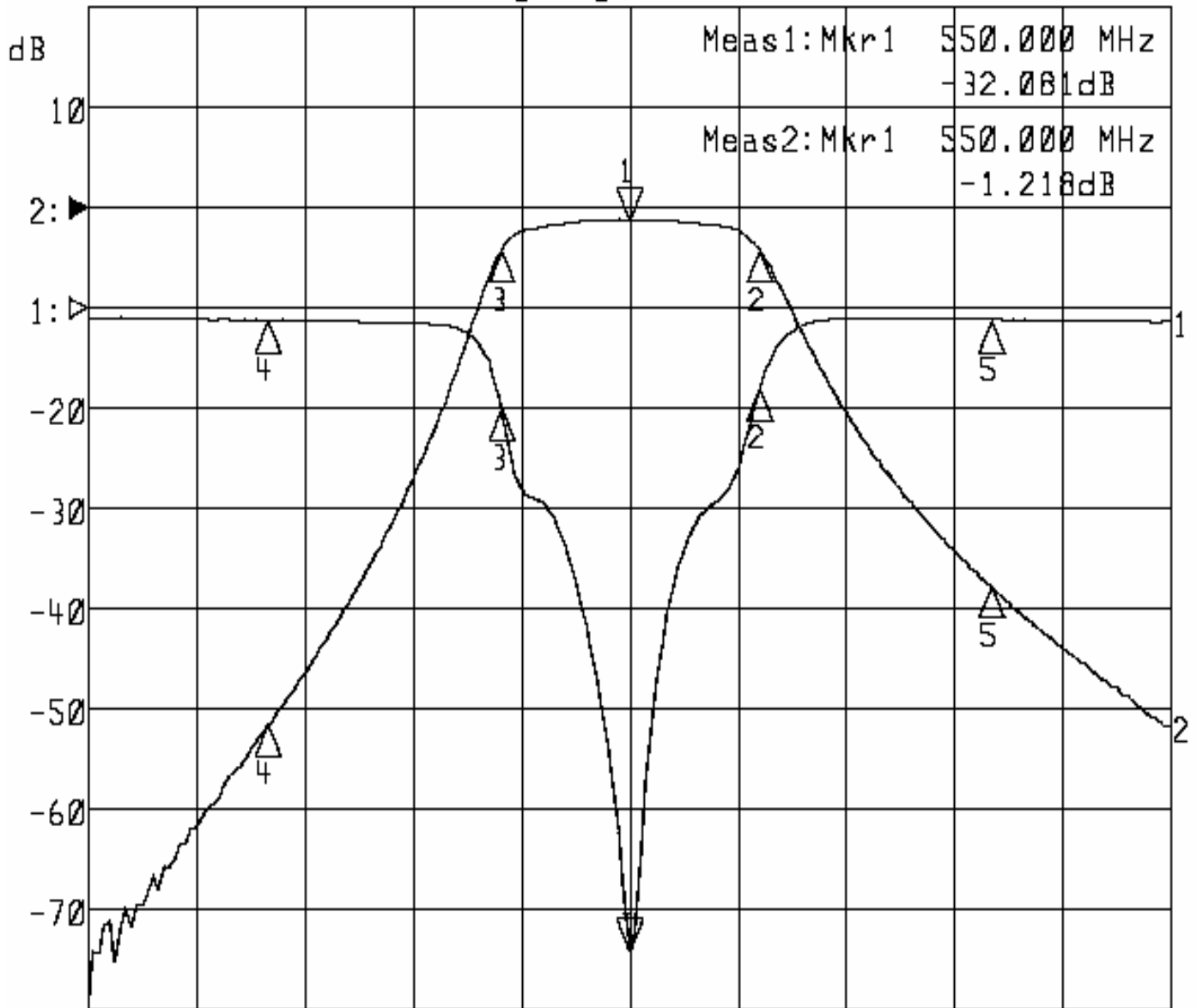
Approval	Supervisor	Designer	Aperture size
C.Y.Chang	C.S.Chang	C.S.Chang	7H4S(4*7.5) 7H046LB6

TEMWELL CORPORATION

# Performance-TF69497B-550M

## 20201009DC

▶1:S11 Refl Port1 Log Mag 5.0 dB/ Ref 0.00 dB C  
▶2:S21 Fwd Trans Log Mag 10.0 dB/ Ref 0.00 dB C



Center 550.000 MHz

Span 300.000 MHz

1:Mkr (MHz)	dB	2:Mkr (MHz)	dB
1> 550.0000	-32.081	1> 550.0000	-1.218
2: 586.1000	-3.967	2: 586.1000	-4.236
3: 514.4000	-4.942	3: 514.4000	-4.230
4: 450.0000	-0.645	4: 450.0000	-51.570
5: 650.0000	-0.600	5: 650.0000	-37.801