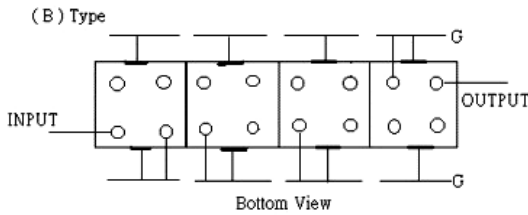
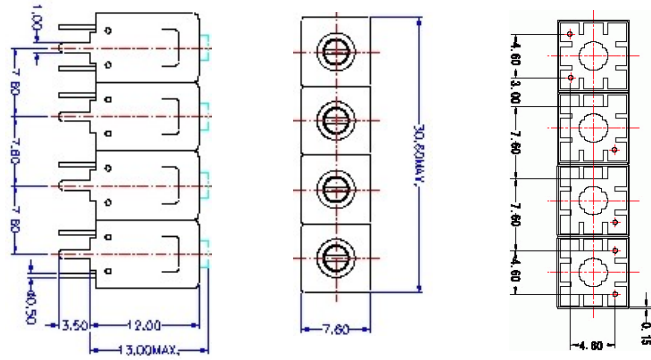


VHF UHF Helical Filter Specification Sheet

Customer Name		Temwell's Part No.	TF69499B-600M
Approval No. /dated	20201010DC	Acceptable Specify Fo Range	596~640MHz
Work Instruction No.	20201010DC	Date	Jan.17,2002

(1)Pin Position	(2)Size Diagram
 <p>(B) Type INPUT OUTPUT Bottom View</p>	

(3)Electric Charasteric

Item	Specify	Performance	
Center Freq.(Fo) +/- 0.5 %	600 MHz	600 MHz	
Insertion Loss	Typ. 2.0 dB	1.21 dB	
-3 dB Bandwidth	Typ. 72 MHz	75 MHz	
Sensitivity (Attenuation)	Fo - 100 MHz	Typ. 43 dBc	46 dBc
	Fo + 100 MHz	Typ. 30 dBc	33 dBc
	Fo - ()MHz	Typ. dBc	dBc
	Fo +()MHz	Typ. dBc	dBc
Return Loss	Min. 12 dB	16.4 dB	
Ripple	< 1 dB	dB	
Impedance	In / Out : 50 Ω	In / Out : 50 Ω	
(4)Torque for Tuning Screw	> 100gf • cm		

(5)Temperature Condition:

Operating Temperature	0°C ~ +60°C
Storage Temperature	-20°C ~ +70°C

(6)Input Power

> 1Watt			
Approval	Supervisor	Designer	Aperture size
C. Y. Chang	C. S. Chang	C. S. Chang	7H4S(4*7.5) 7H046LB6

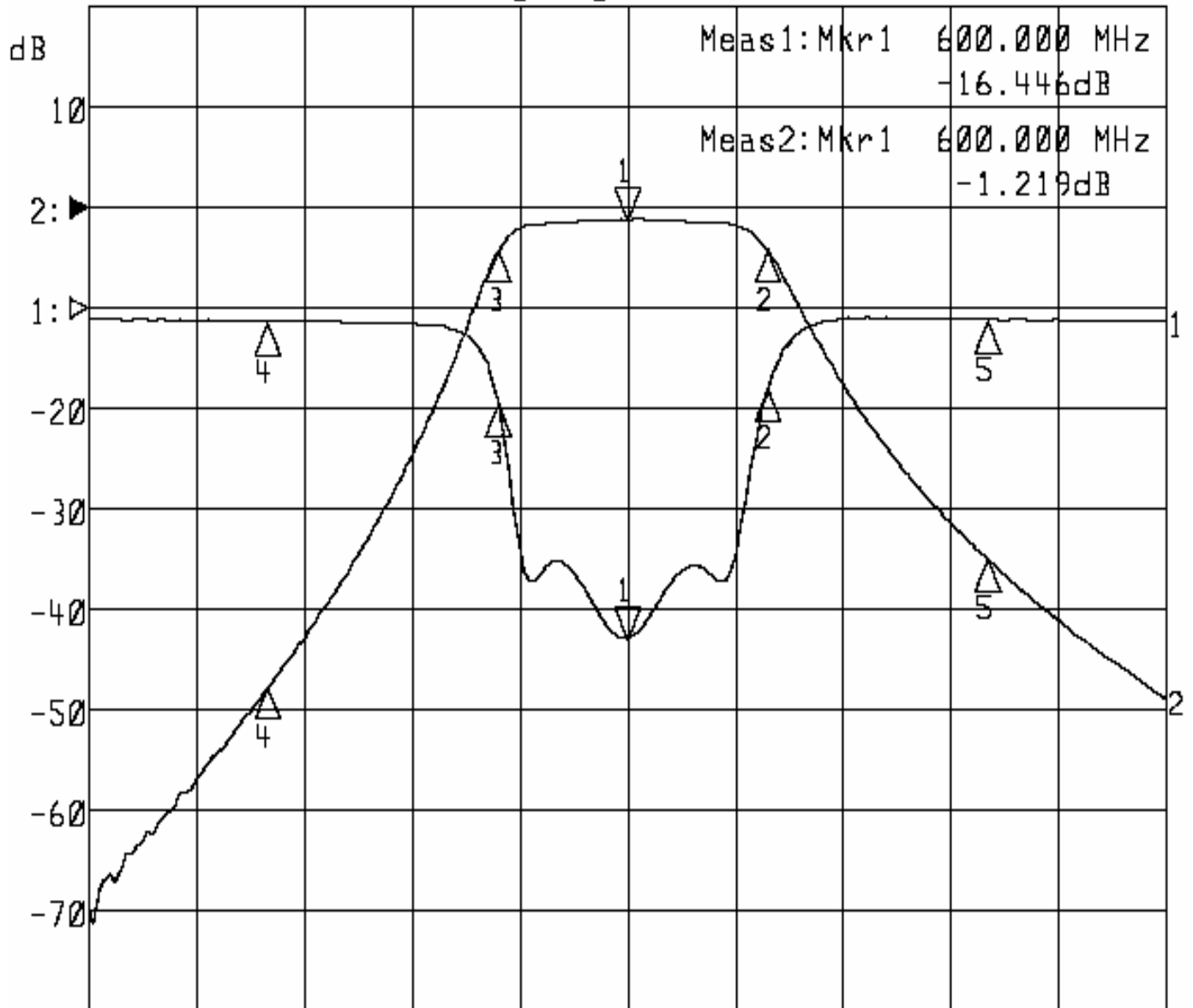
TEMWELL CORPORATION

Performance-TF69499B-600M

20201010DC

▶1:S11 Refl Port1 Log Mag 5.0 dB/ Ref 0.00 dB C

▶2:S21 Fwd Trans Log Mag 10.0 dB/ Ref 0.00 dB C



Center 600.000 MHz

Span 300.000 MHz

1: Mkr (MHz)	dB	2: Mkr (MHz)	dB
1> 600.0000	-16.446	1> 600.0000	-1.219
2: 639.1000	-3.990	2: 639.1000	-4.233
3: 564.1000	-4.762	3: 564.1000	-4.254
4: 500.0000	-0.690	4: 500.0000	-47.827
5: 700.0000	-0.570	5: 700.0000	-34.905