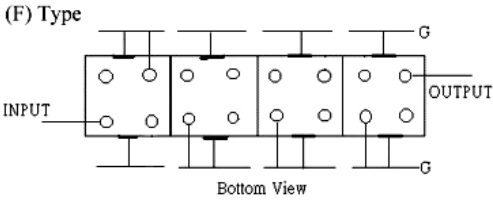
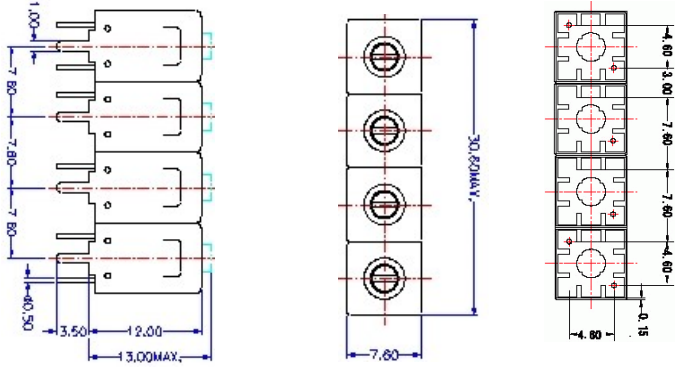


# VHF UHF Helical Filter Specification Sheet

|                      |            |                             |               |
|----------------------|------------|-----------------------------|---------------|
| Customer Name        |            | Temwell's Part No.          | TF69501F-650M |
| Approval No. /dated  | 20201011DC | Acceptable Specify Fo Range | 641~660MHz    |
| Work Instruction No. | 20201011DC | Date                        | Jan.10,2002   |

|                                                                                                                                                  |                                                                                    |
|--------------------------------------------------------------------------------------------------------------------------------------------------|------------------------------------------------------------------------------------|
| (1)Pin Position                                                                                                                                  | (2)Size Diagram                                                                    |
| <p>(F) Type</p>  <p style="text-align: center;">Bottom View</p> |  |

### (3)Electric Charasteric

| Item                          | Specify         | Performance     |
|-------------------------------|-----------------|-----------------|
| Center Freq.(Fo ) +/- 0.5 %   | 650 MHz         | 650 MHz         |
| Insertion Loss                | Typ. 2.5 dB     | 1.82 dB         |
| -3 dB Bandwidth               | Typ. 69 MHz     | 73 MHz          |
| Sensitivity<br>(Attenuation ) | Fo - 100 MHz    | Typ. 52 dBc     |
|                               | Fo + 100 MHz    | Typ. 28 dBc     |
|                               | Fo - ( )MHz     | Typ. dBc        |
|                               | Fo + ( )MHz     | Typ. dBc        |
| Return Loss                   | Min. 12 dB      | 29.8 dB         |
| Ripple                        | < 1 dB          | dB              |
| Impedance                     | In / Out : 50 Ω | In / Out : 50 Ω |
| (4)Torque for Tuning Screw    | > 100gf • cm    |                 |

### (5)Temperature Condition:

|                       |               |
|-----------------------|---------------|
| Operating Temperature | 0°C ~ +60°C   |
| Storage Temperature   | -20°C ~ +70°C |

### (6)Input Power

|  |         |
|--|---------|
|  | > 1Watt |
|--|---------|

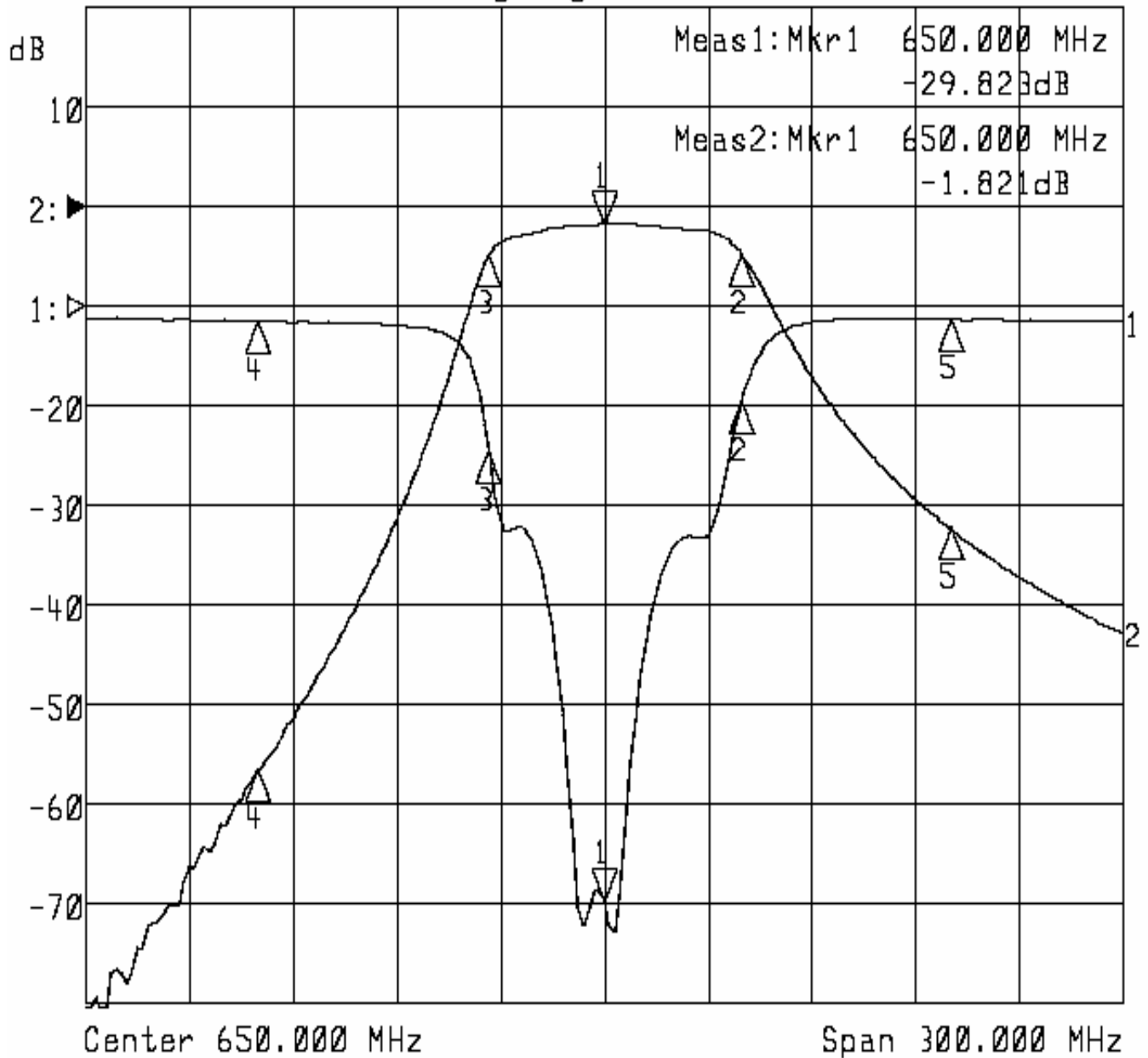
|             |             |             |                         |
|-------------|-------------|-------------|-------------------------|
| Approval    | Supervisor  | Designer    | Aperture size           |
| C. Y. Chang | C. S. Chang | C. S. Chang | 7H4S(4*7.5)<br>7H046LB6 |

TEMWELL CORPORATION

# Performance-TF69501F-650M

## 20201011DC

▶1:S11 Refl Port1 Log Mag 5.0 dB/ Ref 0.00 dB C  
▶2:S21 Fwd Trans Log Mag 10.0 dB/ Ref 0.00 dB C



| 1: Mkr (MHz) | dB      | 2: Mkr (MHz) | dB      |
|--------------|---------|--------------|---------|
| 1> 650.0000  | -29.823 | 1> 650.0000  | -1.821  |
| 2: 689.8000  | -4.709  | 2: 689.8000  | -4.819  |
| 3: 616.7000  | -7.211  | 3: 616.7000  | -4.841  |
| 4: 550.0000  | -0.747  | 4: 550.0000  | -56.621 |
| 5: 750.0000  | -0.675  | 5: 750.0000  | -32.336 |