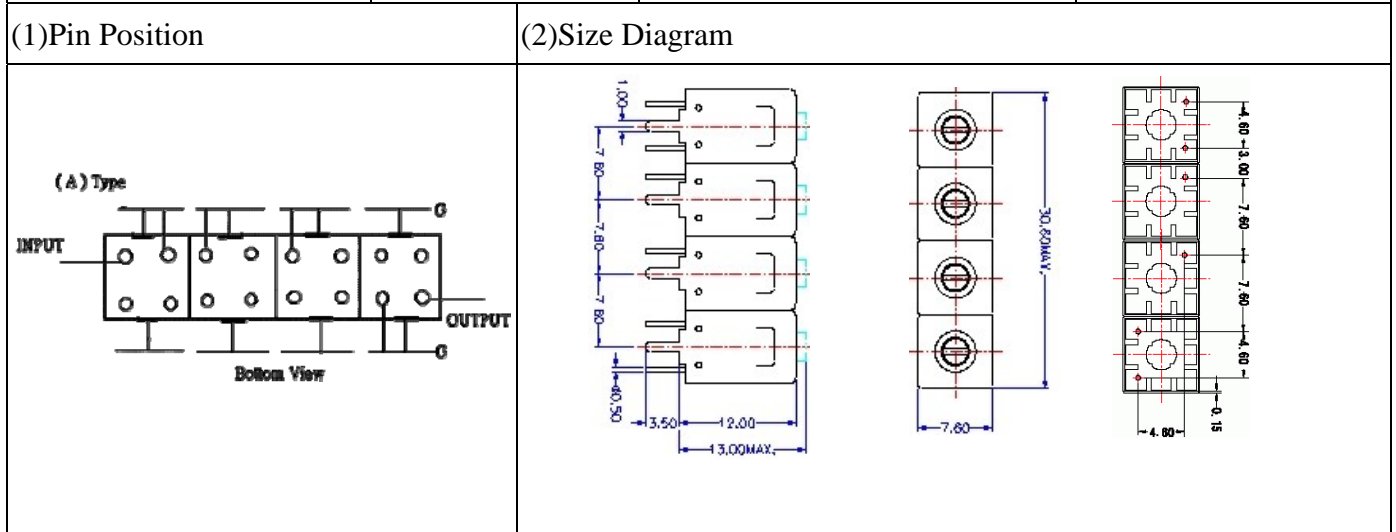


# VHF UHF Helical Filter Specification Sheet

|                      |            |                             |               |
|----------------------|------------|-----------------------------|---------------|
| Customer Name        |            | Temwell's Part No.          | TF69505A-730M |
| Approval No. /dated  | 20201013DC | Acceptable Specify Fo Range | 701~750MHz    |
| Work Instruction No. | 20201013DC | Date                        | Jan.16, 2002  |



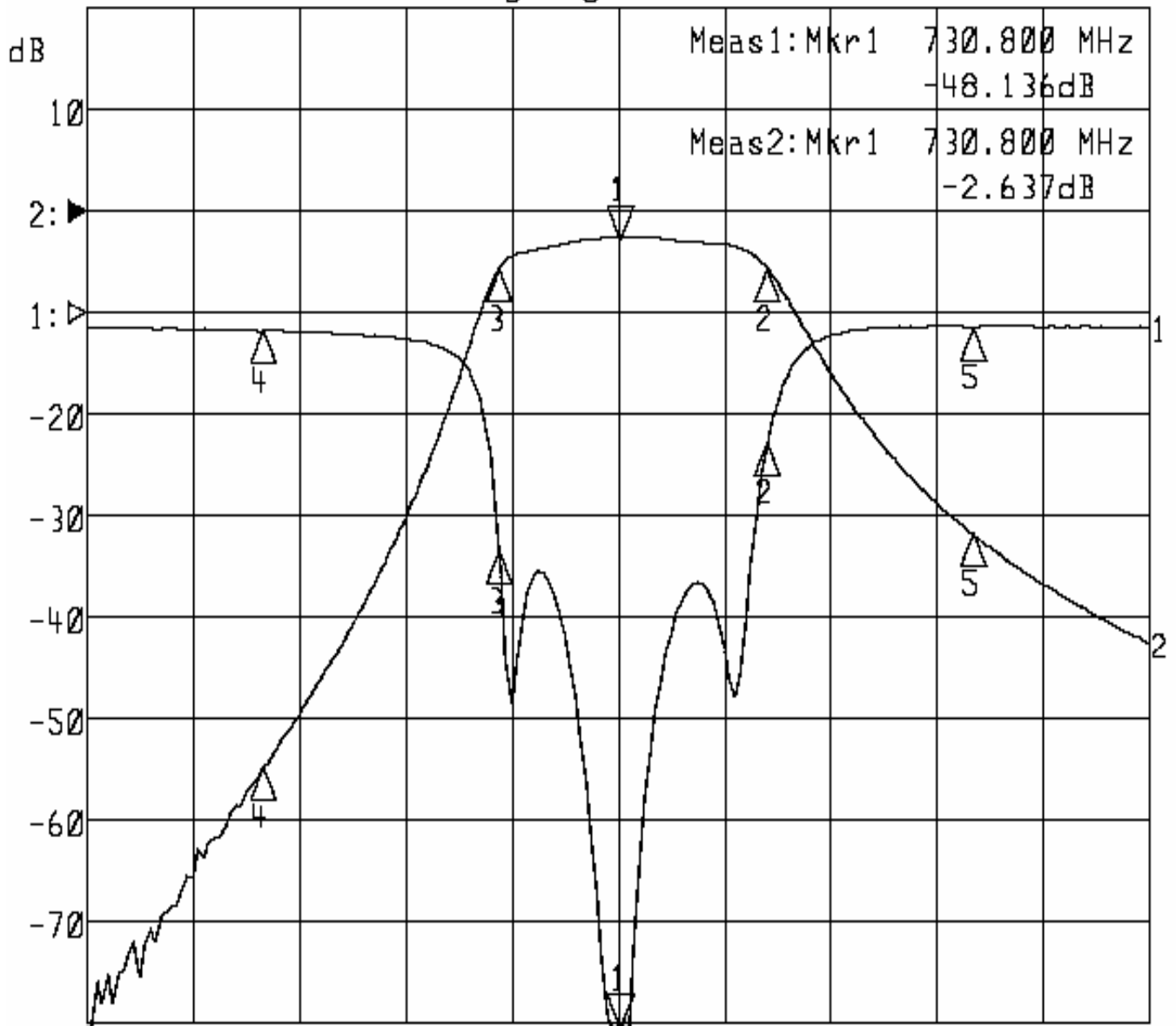
|                               |                 |               |                         |
|-------------------------------|-----------------|---------------|-------------------------|
| (3) Electric Characteristic   |                 |               |                         |
| Item                          | Specify         |               | Performance             |
| Center Freq.(Fo ) +/- 0.5 %   | 730             | MHz           | 730 MHz                 |
| Insertion Loss                | Typ. 3.5        | dB            | 2.63 dB                 |
| -3 dB Bandwidth               | Typ. 72         | MHz           | 76 MHz                  |
| Sensitivity<br>(Attenuation ) | Fo - 100 MHz    | Typ. 49       | dBc                     |
|                               | Fo + 100 MHz    | Typ. 26       | dBc                     |
|                               | Fo - ( )MHz     | Typ.          | dBc                     |
|                               | Fo + ( )MHz     | Typ.          | dBc                     |
| Return Loss                   | Min. 12         | dB            | 48.1 dB                 |
| Ripple                        | < 1             | dB            | dB                      |
| Impedance                     | In / Out : 50 Ω |               | In / Out : 50 Ω         |
| (4) Torque for Tuning Screw   |                 |               |                         |
| > 100gf • cm                  |                 |               |                         |
| (5) Temperature Condition:    |                 |               |                         |
| Operating Temperature         |                 | 0°C ~ +60°C   |                         |
| Storage Temperature           |                 | -20°C ~ +70°C |                         |
| (6) Input Power               |                 |               |                         |
| > 1Watt                       |                 |               |                         |
| Approval                      | Supervisor      | Designer      | Aperture size           |
| C. Y. Chang                   | C. S. Chang     | C. S. Chang   | 7H4S(4*7.5)<br>7H046LB6 |
| TEMWELL CORPORATION           |                 |               |                         |

# Performance-TF69505A-730M

## 20201013DC

▶1: S11 Refl Port1    Log Mag    5.0 dB/ Ref    0.00 dB    C

▶2: S21 Fwd Trans    Log Mag    10.0 dB/ Ref    0.00 dB    C



Center 730.000 MHz

Span 300.000 MHz

| 1: Mkr (MHz) | dB      | 2: Mkr (MHz) | dB      |
|--------------|---------|--------------|---------|
| 1> 730.8000  | -48.136 | 1> 730.8000  | -2.637  |
| 2: 772.2000  | -6.371  | 2: 772.2000  | -5.643  |
| 3: 696.5000  | -11.734 | 3: 696.5000  | -5.634  |
| 4: 630.0000  | -0.915  | 4: 630.0000  | -54.781 |
| 5: 830.0000  | -0.711  | 5: 830.0000  | -31.796 |