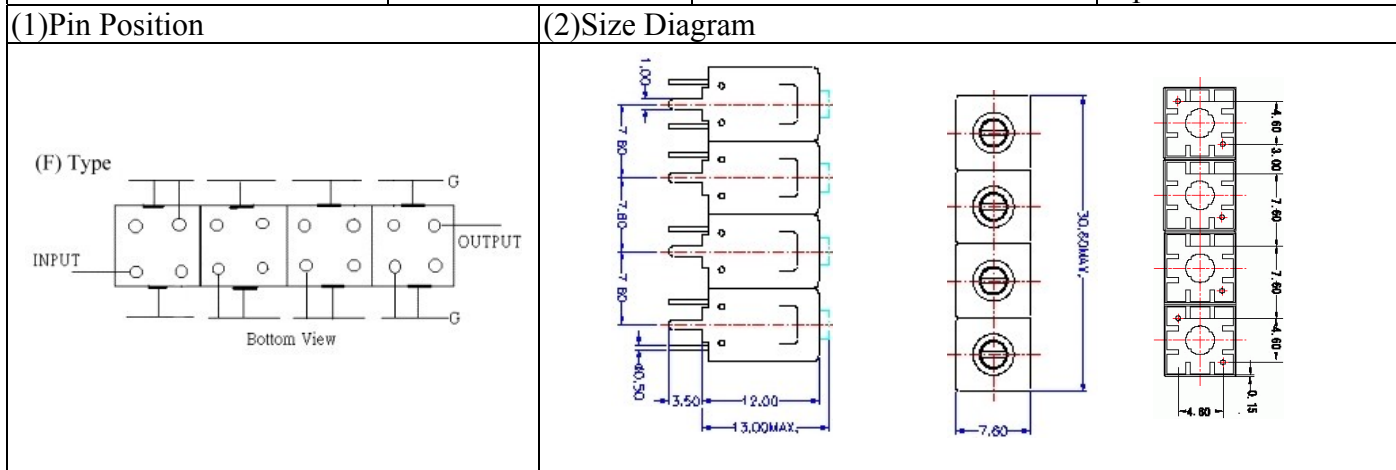


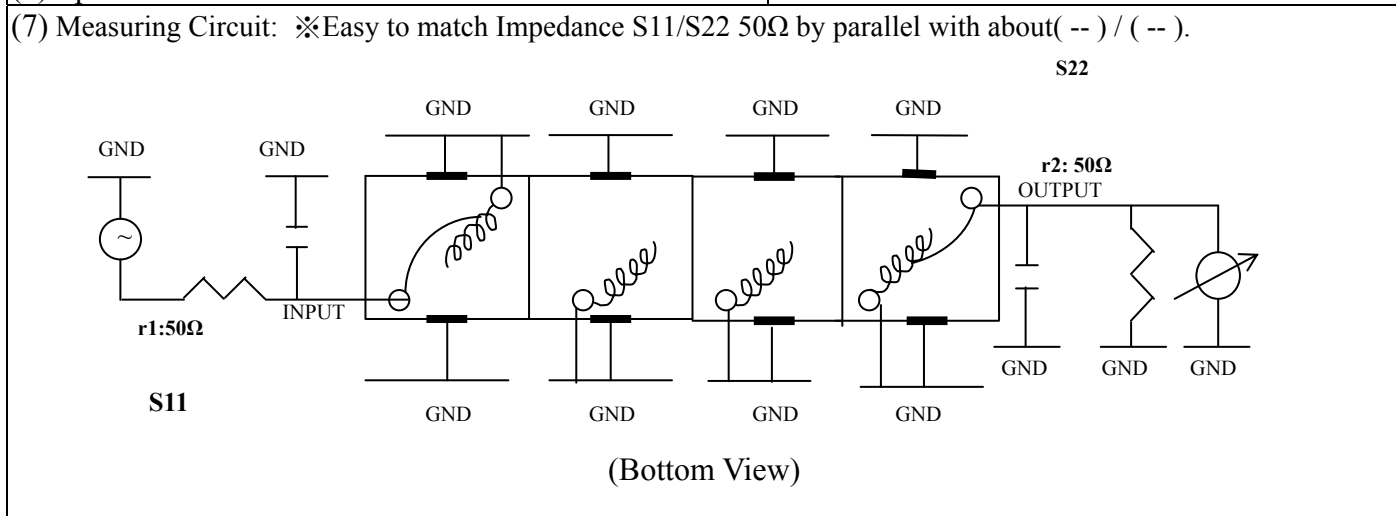
# VHF UHF Helical Filter Specification Sheet

Customer Name		Temwell's Part No.	TF69518F-900M
Approval No. /dated		Temwell's Print name	69518F 900M
Work Instruction No.	201007093CD	Date	Sep.30.2010



Item		Specify	Performance
Center Freq.(Fo ) +/- 0.5 %		900 MHz	900 MHz
Insertion Loss		Typ. 3.0 dB	2.12 dB
-3dB Bandwidth		Typ. 70 MHz	79.0 MHz
Sensitivity (Attenuation)	Fo - (100) MHz	Typ. 36 dBc	39 dBc
	Fo + (100) MHz	Typ. 27 dBc	30 dBc
	Fo - ( ) MHz	Typ. dBc	dBc
	Fo + ( ) MHz	Typ. dBc	dBc
Return Loss		Min. 12 dB	17.6 dB
Ripple		< 1 dB	dB
Impedance		In / Out : 50 Ω	In / Out : 50 Ω
(4) Torque for Tuning Screw		> 60gf • cm	

(5) Temperature Condition:	
Operating Temperature	0°C ~ +60°C
Storage Temperature	-20°C ~ +70°C
(6) Input Power	> 1Watt



Approval	Supervisor	Designer	Aperture size
C.Y.Chang	C.K.Chang	C.S.Chang	7H4S(4*8.0)(8.02) 7H046RB5.5

TEMWELL CORPORATION

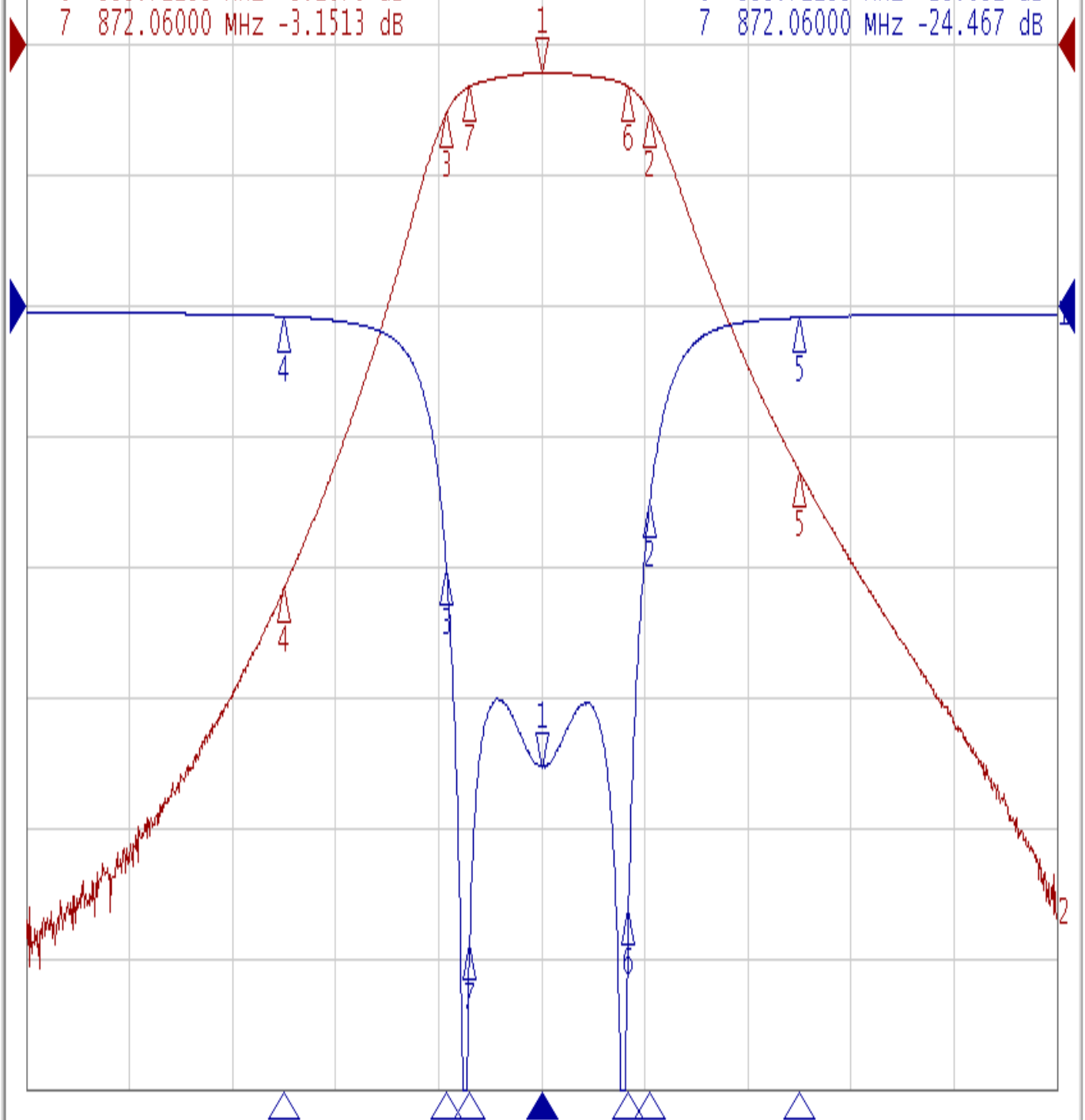
# Performance-TF69518F-900M

## 201007093CD

Tr1 S11 Log Mag 5.000dB/ Ref 0.000dB [F2]  
Tr2 S21 Log Mag 10.00dB/ Ref 0.000dB [F2]

1	900.00000	MHz	-2.1224	dB
2	942.02000	MHz	-5.1584	dB
3	863.07900	MHz	-5.1456	dB
4	800.00000	MHz	-41.600	dB
5	1.0000000	GHz	-32.659	dB
6	933.71133	MHz	-3.1670	dB
7	872.06000	MHz	-3.1513	dB

>1	900.00000	MHz	-17.661	dB
2	942.02000	MHz	-7.5253	dB
3	863.07900	MHz	-10.120	dB
4	800.00000	MHz	-0.3863	dB
5	1.0000000	GHz	-0.4320	dB
6	933.71133	MHz	-23.081	dB
7	872.06000	MHz	-24.467	dB



1 Center 900 MHz

IFBW 10 kHz

Span 400 MHz Cor !