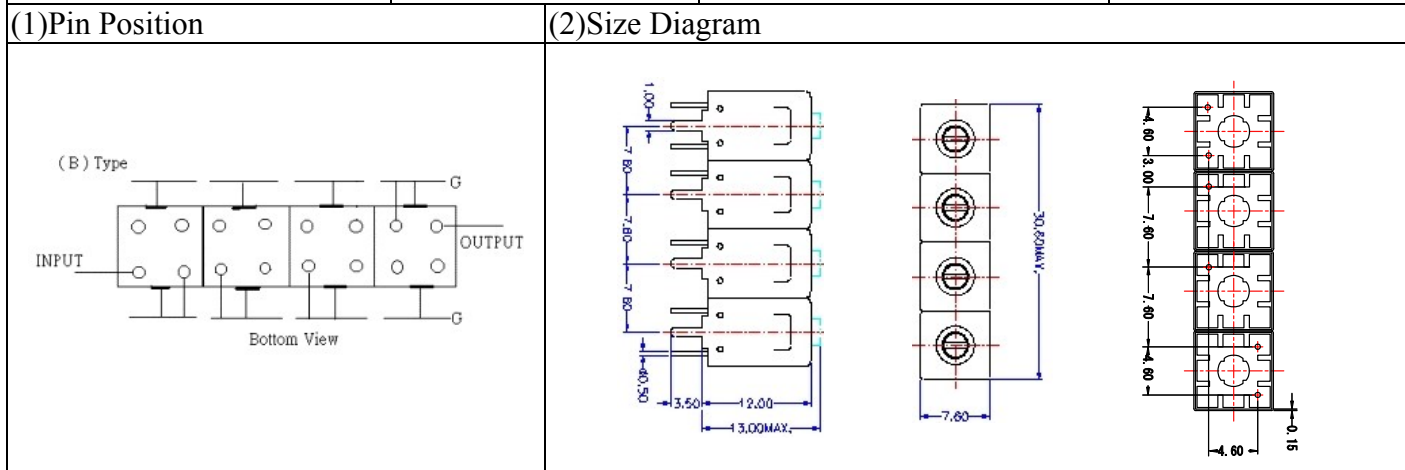


VHF UHF Helical Filter Specification Sheet

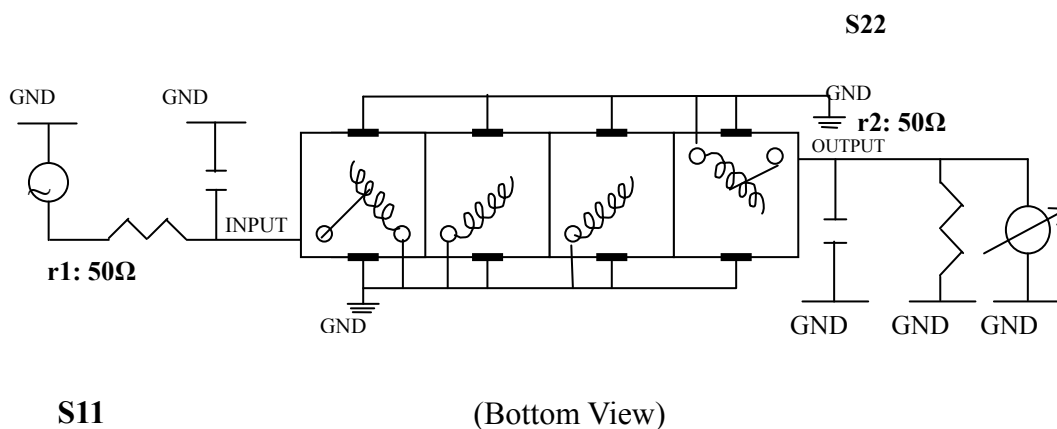
Customer Name		Temwell's Part No.	TF69526B-60M
Approval No. /dated	201701034CD	Temwell's Print Name	69526B 60M
Work Instruction No.	201701034CD	Date	Jan.19.2017



(3) Electric Characteristic

Item	Specify	Performance	
Center Freq.(Fo) +/- 0.5 %	60 MHz	60 MHz	
Insertion Loss	Typ. 3.0 dB	2.13 dB	
-3 dB Bandwidth	Typ. 10 MHz	12.8 MHz	
Sensitivity (Attenuation)	Fo - 15 MHz	Typ. 40 dBc	44 dBc
	Fo + 15 MHz	Typ. 30 dBc	33 dBc
	Fo - ()MHz	Typ. dBc	dBc
	Fo + ()MHz	Typ. dBc	dBc
Return Loss	Min. 12 dB	26.3 dB	
Ripple	< 1 dB	dB	
Impedance	In / Out : 50 Ω	In / Out : 50 Ω	
(4) Torque for Tuning Screw	> 60gf · cm		
(5) Temperature Condition:			
Operating Temperature	0°C ~ +60°C		
Storage Temperature	-20°C ~ +70°C		
(6) Input Power	> 1 Watt		

(7) Measuring Circuit: ※Easy to match Impedance S11/S22 50Ω by parallel with about(- -).



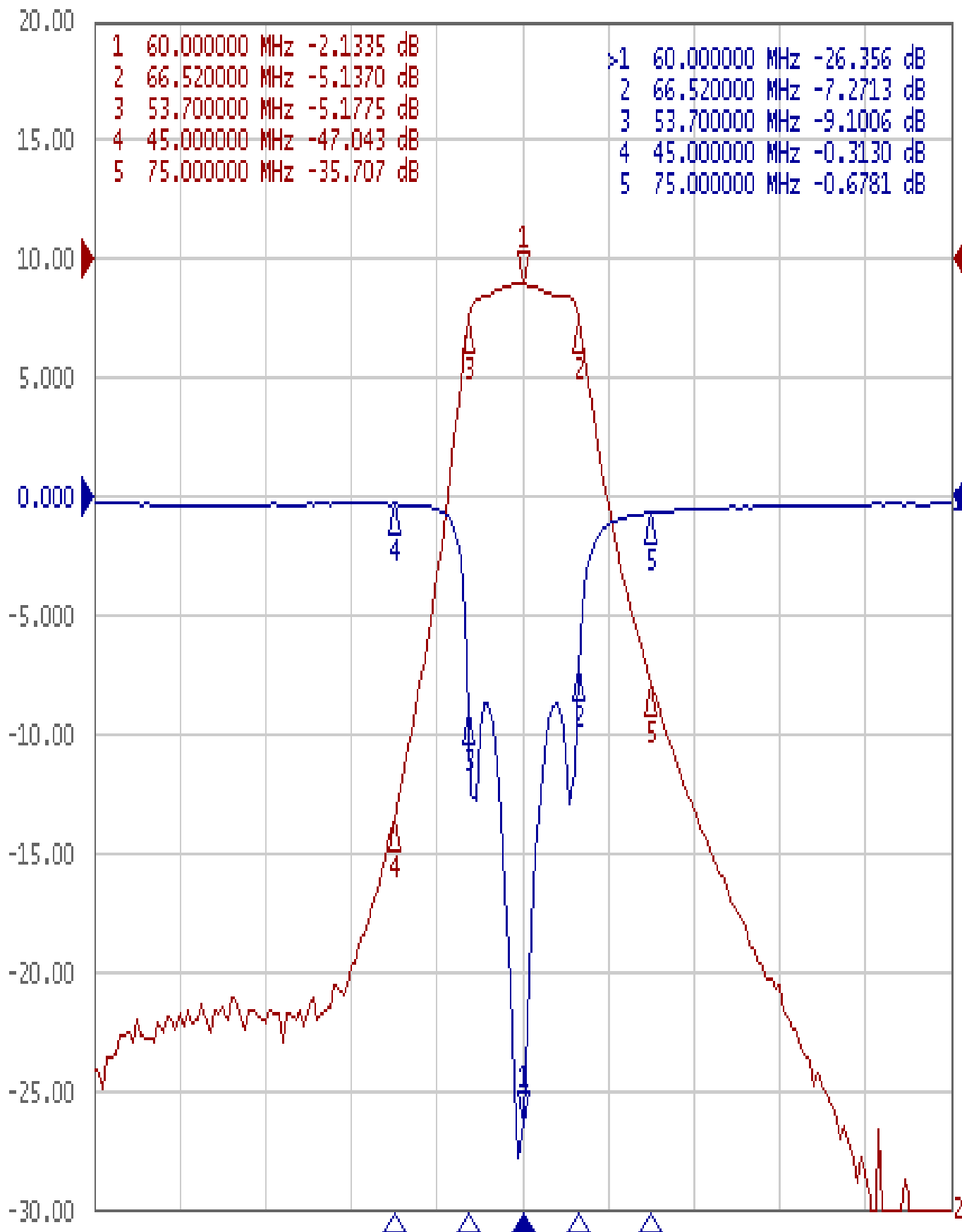
Approval	Supervisor	Designer	Aperture size
C.Y.Chang	C.K.Chang	W.W.Wang	7H4S(4*8.0)(8.06) 7H00LB6

TEMWELL CORPORATION

Performance-TF69526B-60M

201701034CD

Tr1 S11 Log Mag 5.000dB/ Ref 0.000dB [F2]
Tr2 S21 Log Mag 10.00dB/ Ref 0.000dB [F2]



1 Center 60 MHz

IFBW 70 kHz

Span 100 MHz Cor !