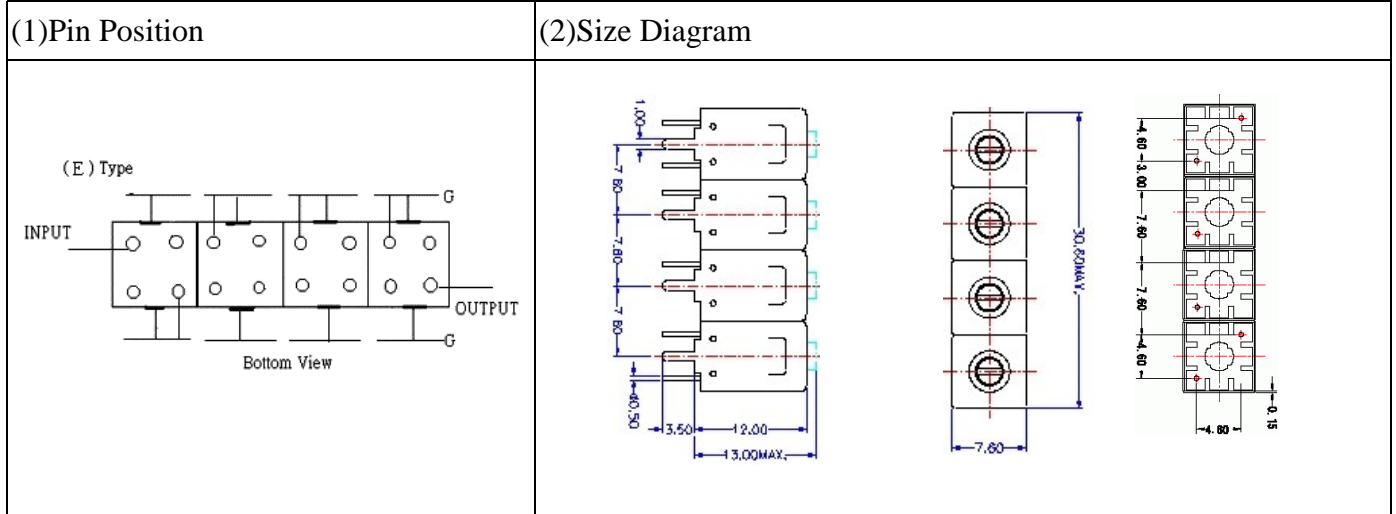


VHF UHF Helical Filter Specification Sheet

Customer Name		Temwell's Part No.	TF69550E-902.5M
Approval No. /dated	20302007DC	Acceptable Specify Fo. Range	901~930MHz
Work Instruction No.	20302007DC	Date	Feb.19.2003



(3) Electric Character

Item	Specify	Performance	
Center Freq.(Fo) +/- 0.5 %	902.5 MHz	902.5 MHz	
Insertion Loss	Typ. 3.5 dB	2.64 dB	
-1 dB Bandwidth	Typ. 23 MHz	26.6 MHz	
-3 dB Bandwidth	Typ. 27 MHz	32.0 MHz	
Sensitivity (Attenuation)	Fo - 100 MHz	Typ. 65 dBc	68 dBc
	Fo + 100 MHz	Typ. 70 dBc	73 dBc
	Fo - ()MHz	Typ. dBc	dBc
	Fo +()MHz	Typ. dBc	dBc
Return Loss	Min. 12 dB	19.9 dB	
Ripple	< 1 dB	dB	
Impedance	In / Out : 50 Ω	In / Out : 50 Ω	
(4) Torque for Tuning Screw	> 100gf · cm		

(5) Temperature Condition:

Operating Temperature	0°C ~ +60°C
Storage Temperature	-20°C ~ +70°C

(6) Input Power

	> 1Watt
--	---------

Approval	Supervisor	Designer	Aperture size
C.Y.Chang	C.S.Chang	C.S.Chang	7H4S(4*6.5) 7H046LB4 聚 3

TEMWELL CORPORATION

