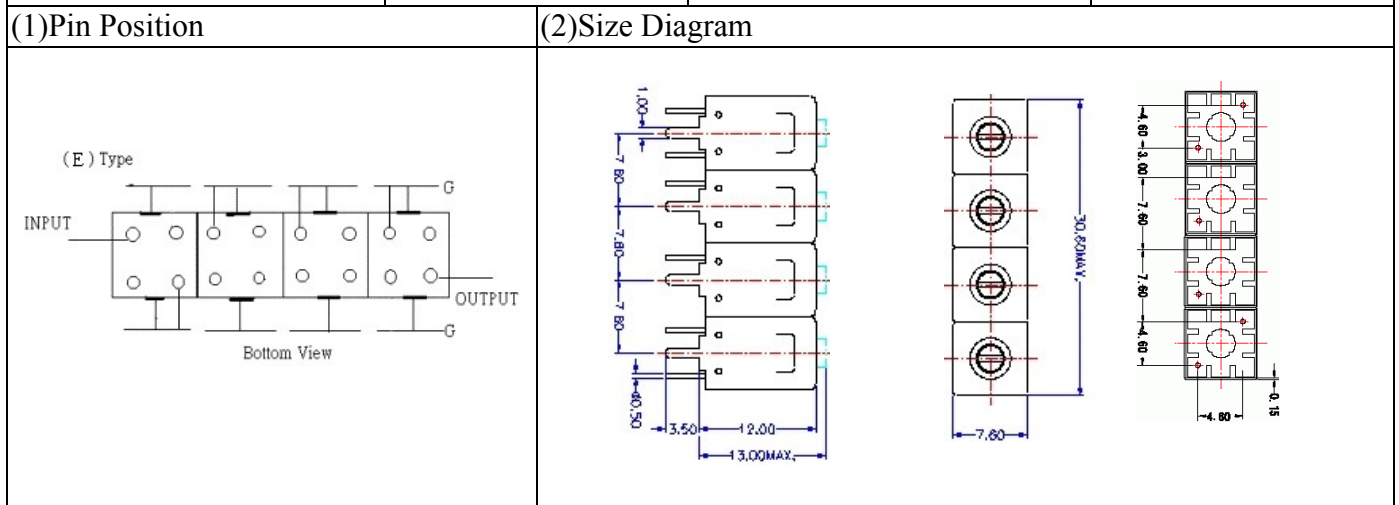


# VHF UHF Helical Filter Specification Sheet

Customer Name		Temwell's Part No.	TF69550E-915M
Approval No. /dated	201803027CD	Temwell's Print No.	69550E 915M
Work Instruction No.	201803027CD	Date	Mar.21.2018



### (3) Electric Characteristic

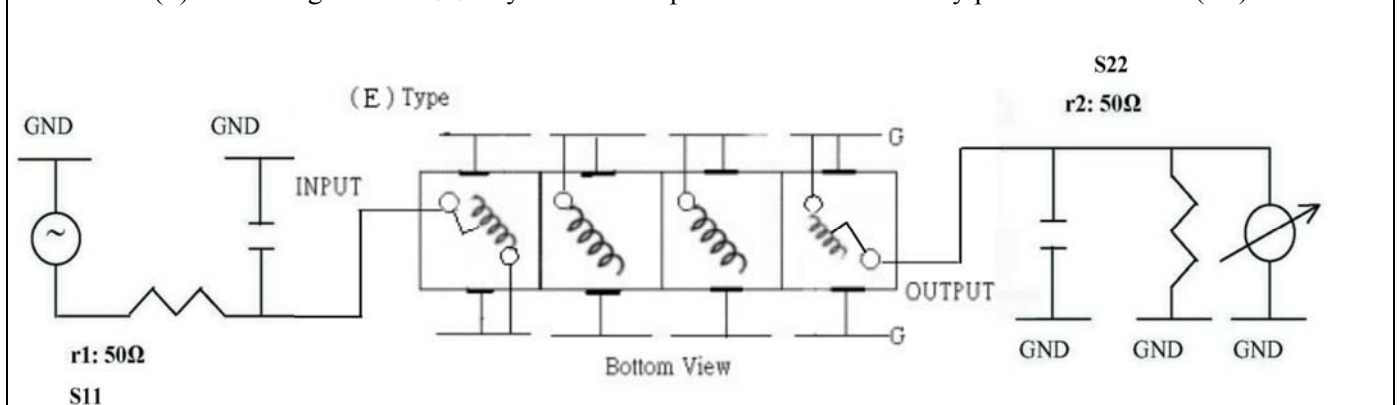
Item	Specify	Performance	
Center Freq.(Fo ) +/- 0.5 %	915 MHz	915 MHz	
Insertion Loss	Typ. 4.0 dB	2.73 dB	
-3 dB Bandwidth	Typ. 27 MHz	32.0 MHz	
Sensitivity (Attenuation)	Fo - 100 MHz	Typ. 59 dBc	69 dBc
	Fo + 100 MHz	Typ. 60 dBc	70 dBc
	Fo - ( )MHz	Typ. dBc	dBc
	Fo +( )MHz	Typ. dBc	dBc
Return Loss	Min. 12 dB	22.7 dB	
Ripple	< 1 dB	dB	
Impedance	In / Out : 50 Ω	In / Out : 50 Ω	
(4) Torque for Tuning Screw	> 60gf · cm		

### (5) Temperature Condition:

Operating Temperature	0°C ~ +60°C
Storage Temperature	-20°C ~ +70°C

### (6) Input Power

(7) Measuring Circuit: ※Easy to match Impedance S11/S22 50Ω by parallel with about( -- )



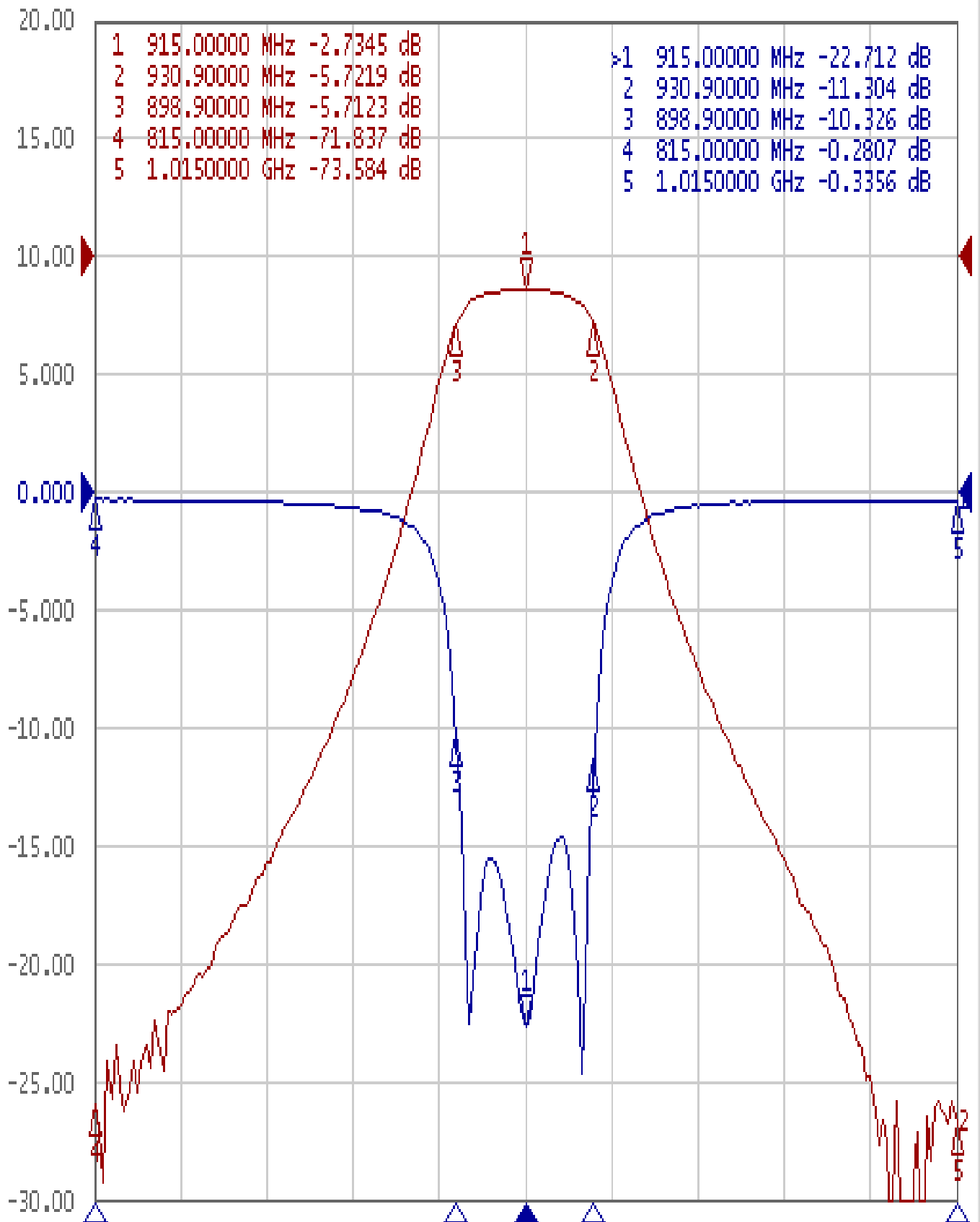
Approval	Supervisor	Designer	Aperture size
C.Y.Chang	C.K.Chang	W.W.Wang	7H4S(4*6.35)(6.38) 7H046LB4.3 聚 3(J1)

TEMWELL CORPORATION

# Performance-TF69550E-915M

## 201803027CD

▶ Tr1 S11 Log Mag 5.000dB/ Ref 0.000dB [F2]  
Tr2 S21 Log Mag 10.00dB/ Ref 0.000dB [F2]



1 Center 915 MHz

IFBW 70 kHz

Span 200 MHz Cor !