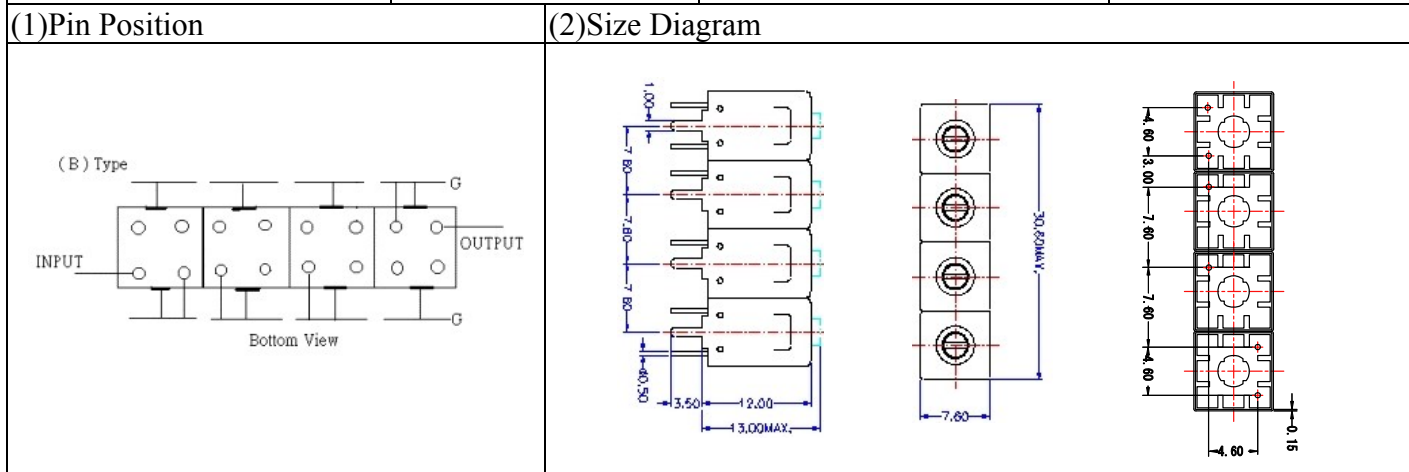


VHF UHF Helical Filter Specification Sheet

Customer Name		Temwell's Part No.	TF69553B-473M
Approval No. /dated	201703041CD	Temwell's Print Name	69553B 473M
Work Instruction No.	201703041CD	Date	Mar.20.2017



(3) Electric Characteristic

Item	Specify	Performance	
Center Freq.(Fo) +/- 0.5 %	473 MHz	473 MHz	
Insertion Loss	Typ. 3.5 dB	2.63 dB	
-3 dB Bandwidth	Typ. 14 MHz	18.4 MHz	
Sensitivity (Attenuation)	Fo - 50 MHz	Typ. 60 dBc	69 dBc
	Fo +50 MHz	Typ. 45 dBc	52 dBc
	Fo - ()MHz	Typ. dBc	dBc
	Fo +()MHz	Typ. dBc	dBc
Return Loss	Min. 12 dB	18.0 dB	
Ripple	< 1 dB	dB	
Impedance	In / Out : 50 Ω	In / Out : 50 Ω	

(4) Torque for Tuning Screw > 60gf • cm

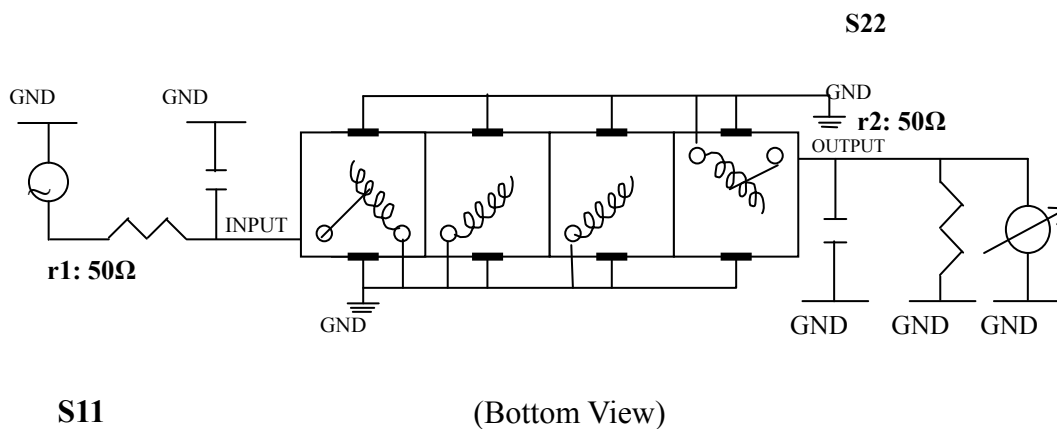
(5) Temperature Condition:

Operating Temperature 0°C ~ +60°C

Storage Temperature -20°C ~ +70°C

(6) Input Power > 1Watt

(7) Measuring Circuit: ※ Easy to match Impedance S11/S22 50Ω by parallel with about(- -).



Approval	Supervisor	Designer	Aperture size
C.Y.Chang	C.K.Chang	M.Y.Kang	7H4S(4*6.35)(6.42) 7H046LB4.3 聚 3

TEMWELL CORPORATION

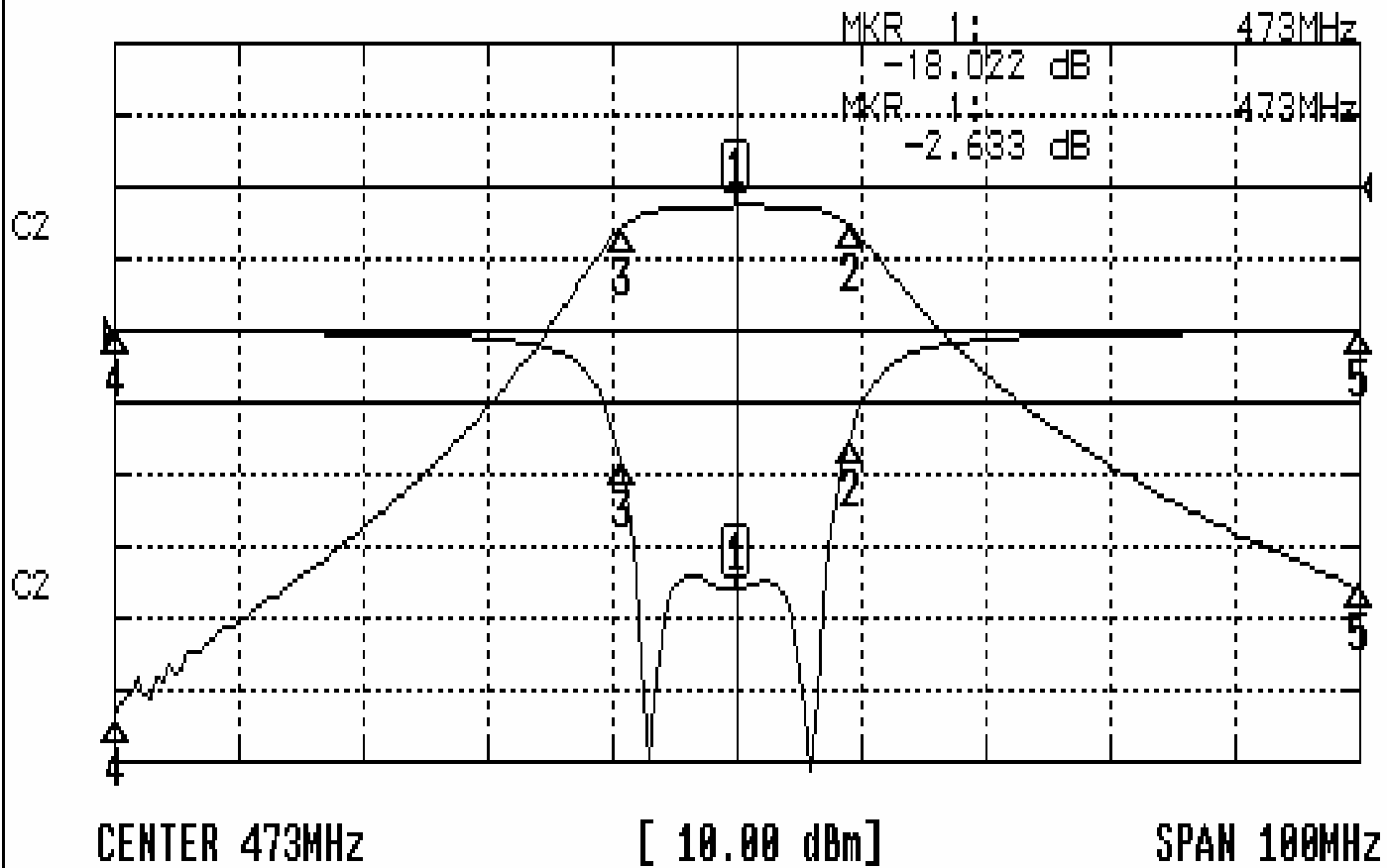
TEMWELL Form10-7H4B Vision D

RP (M.Y)

Performance-TF69553B-473M

201703041CD

CH1 S11 LOG MAG REF 0.000 dB 5.000 dB/
CH2 S21 LOG MAG REF 0.000 dB 10.000 dB/



CH1 MARKER LIST

1:	473.000MHz	-18.026 dB
2:	482.180MHz	-7.331 dB
3:	463.730MHz	-9.095 dB
4:	423.000MHz	-0.040 dB
5:	523.000MHz	-0.044 dB
6:		
7:		
8:		
9:		
10:		

CH2 MARKER LIST

1:	473.000MHz	-2.633 dB
2:	482.180MHz	-5.659 dB
3:	463.730MHz	-5.638 dB
4:	423.000MHz	-71.823 dB
5:	523.000MHz	-55.449 dB
6:		
7:		
8:		
9:		
10:		