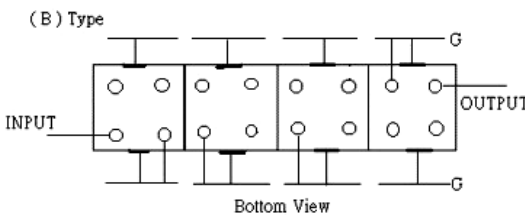
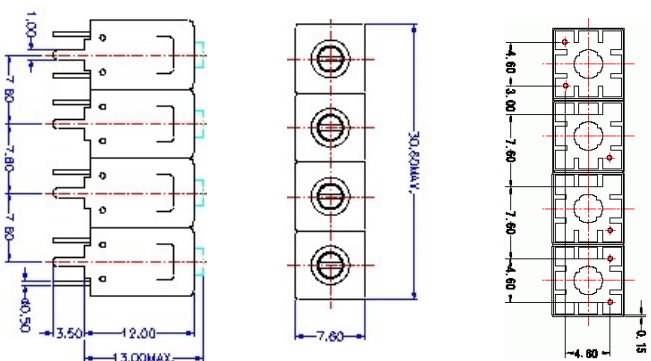


VHF UHF Helical Filter Specification Sheet

Customer Name		Temwell's Part No.	TF6955B-137M
Approval No. /dated	20402078DC	Acceptable Specify Fo.Range	126~145MHz
Work Instruction No.	20402078DC	Date	Feb.17.2004

(1)Pin Position	(2)Size Diagram
 <p>(B) Type</p> <p>INPUT</p> <p>OUTPUT</p> <p>Bottom View</p>	

(3)Electric Charasteric

Item	Specify	Performance	
Center Freq.(Fo) +/- 0.5 %	137 MHz	137 MHz	
Insertion Loss	Typ. 6.5 dB	5.75 dB	
-3 dB Bandwidth	Typ. 4 MHz	5 MHz	
Sensitivity (Attenuation)	Fo - 12 MHz	Typ. 59 dBc	62 dBc
	Fo + 12 MHz	Typ. 47 dBc	50 dBc
	Fo - ()MHz	Typ. dBc	dBc
	Fo +()MHz	Typ. dBc	dBc
Return Loss	Min. 12 dB	35.9 dB	
Ripple	< 1 dB	dB	
Impedance	In / Out : 50 Ω	In / Out : 50 Ω	

(4)Torque for Tuning Screw > 100gf • cm

(5)Temperature Condition:

Operating Temperature	0°C ~ +60°C
Storage Temperature	-20°C ~ +70°C

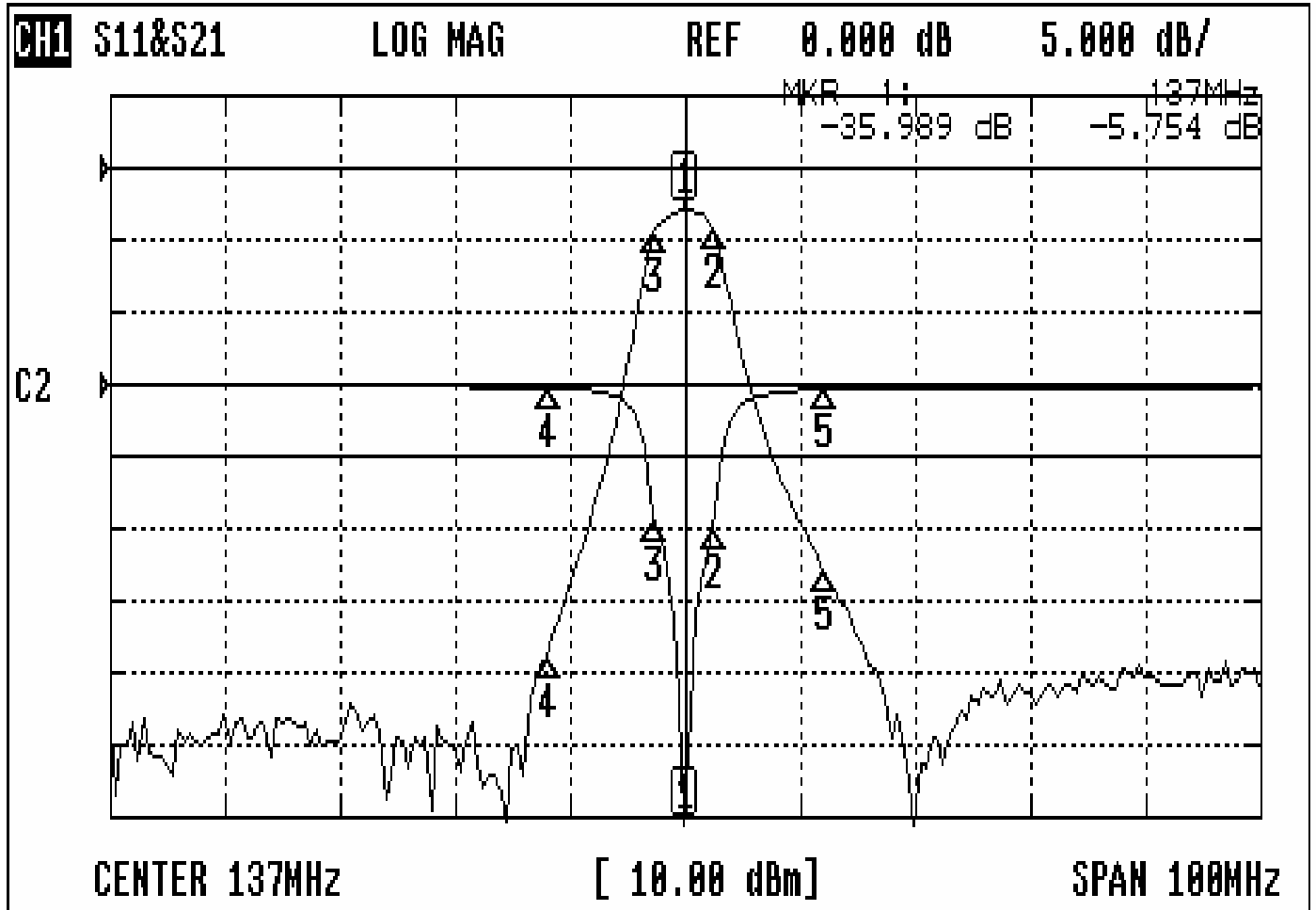
(6)Input Power > 1Watt

Approval	Supervisor	Designer	Aperture size
C. Y. Chang	C. S. Chang	C. S. Chang	7H4S(4*5.5) 7H00LB4

TEMWELL CORPORATION

Performance- TF6955B-137M

20402078DC



CH1 MARKER LIST

1:	137.000MHz	-35.989 dB	-5.754 dB
2:	139.500MHz	-9.940 dB	-8.653 dB
3:	134.416MHz	-9.499 dB	-8.752 dB
4:	125.000MHz	-0.217 dB	-67.936 dB
5:	149.000MHz	-0.303 dB	-55.622 dB
6:			
7:			
8:			
9:			
10:			