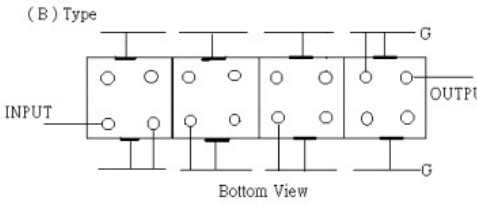
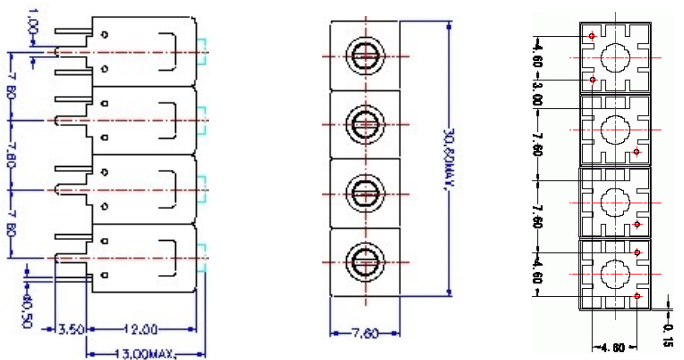


VHF UHF Helical Filter Specification Sheet

Customer Name		Temwell's Part No.	TF6957B1-140.21M
Approval No. /dated	0806095CD	Acceptable Fo Specify Range	126-145MHz
Work Instruction No.	0806095CD	Date	June.03.2008

<p>(1) Pin Position</p>  <p style="text-align: center;">Bottom View</p>	<p>(2) Size Diagram</p> 
--	--

(3) Electric Characteristic		Specify	Performance
Item			
Center Freq.(Fo) +/- 0.5 %		140.21 MHz	140.21 MHz
Insertion Loss		Typ. 4.0 dB	3.03 dB
-3 dB Bandwidth		Typ. 7 MHz	8.4 MHz
Sensitivity (Attenuation)	Fo - 12 MHz	Typ. 31 dBc	34 dBc
	Fo + 12 MHz	Typ. 28 dBc	31 dBc
	Fo - ()MHz	Typ. dBc	dBc
	Fo +()MHz	Typ. dBc	dBc
Return Loss		Min. 12 dB	36.1 dB
Ripple		< 1 dB	dB
Impedance		In / Out : 50 Ω	In / Out : 50 Ω

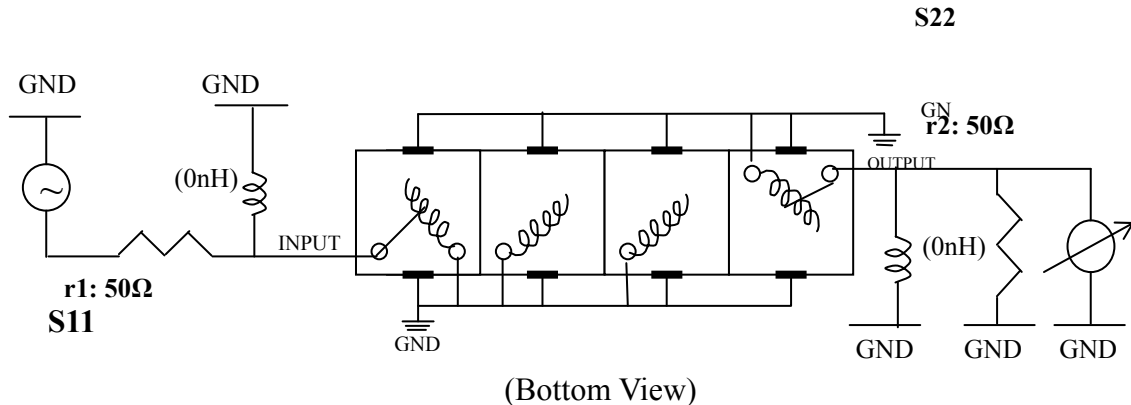
(4) Torque for Tuning Screw > 100gf · cm

(5) Temperature Condition:

Operating Temperature	0°C ~ +60°C
Storage Temperature	-20°C ~ +70°C

(6) Input Power > 1Watt

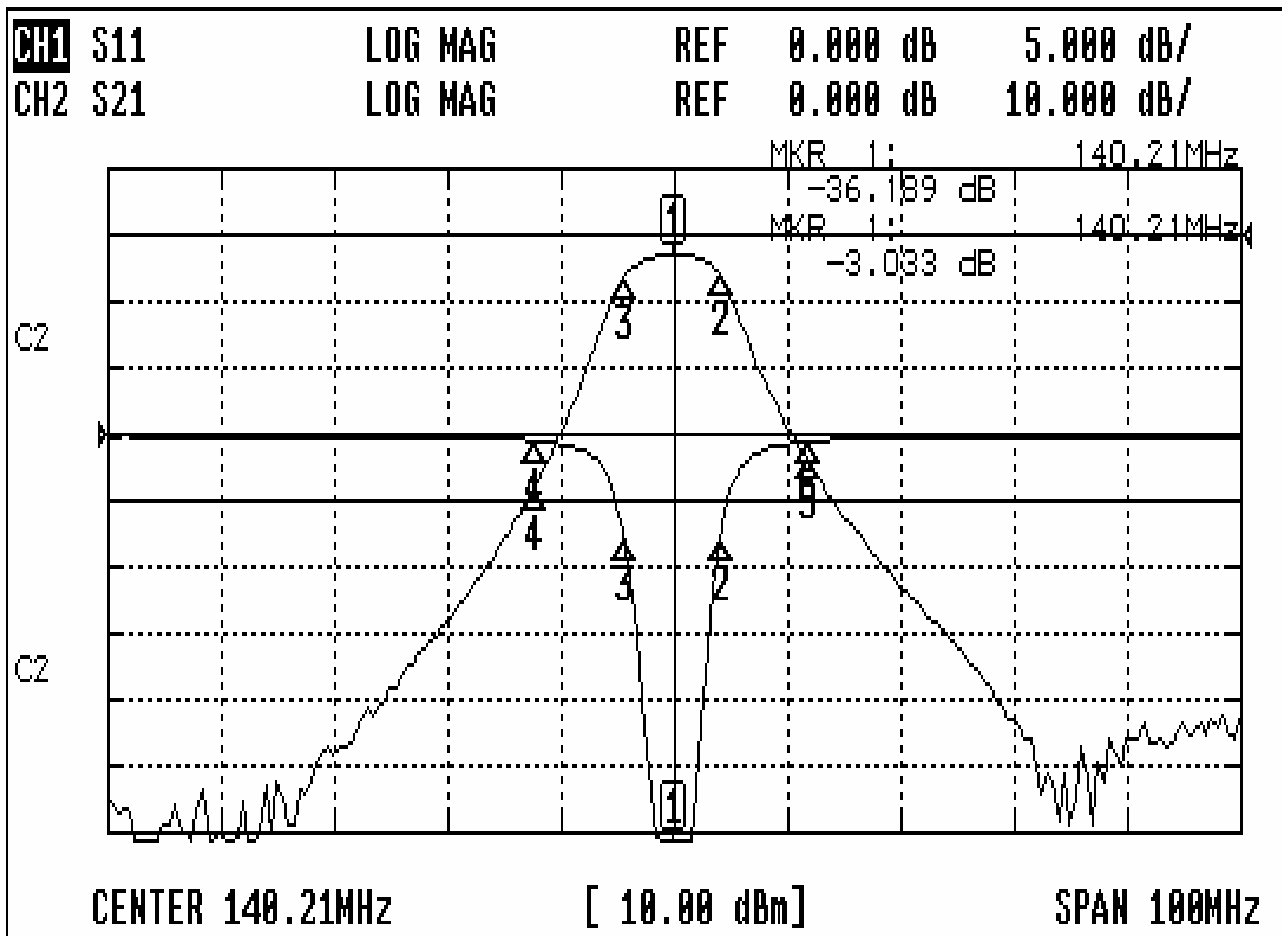
(7) Measuring Circuit: ※Easy to match Impedance S11/S22 50 Ω by parallel with about(0 nH) / (0 nH).



Approval C.Y.Chang	Supervisor C.S.Chang	Designer P.H.Chiang	Aperture size 7H4(4*4.65F) 7H024LB6.5
TEMWELL CORPORATION			

Performance-TF6957B1-140.21M

0806095CD



CH1 MARKER LIST

1:	140.210MHz	-36.189 dB
2:	144.293MHz	-7.960 dB
3:	135.876MHz	-8.114 dB
4:	128.000MHz	-0.512 dB
5:	152.000MHz	-0.561 dB

CH2 MARKER LIST

1:	140.210MHz	-3.031 dB
2:	144.293MHz	-6.017 dB
3:	135.876MHz	-6.091 dB
4:	128.000MHz	-37.716 dB
5:	152.000MHz	-34.036 dB