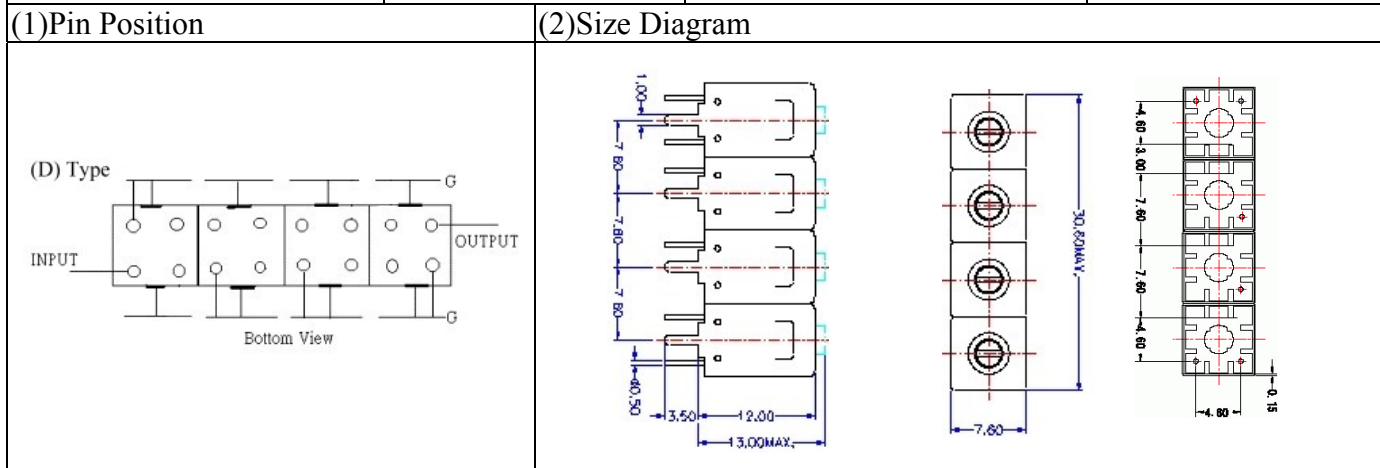


# VHF UHF Helical Filter Specification Sheet

Customer Name		Temwell's Part No.	TF6959D-174M
Approval No. /dated	0606075APR	Acceptable Specify Fo Range	166~195MHz
Work Instruction No.	0606075DB	Date	Jul.11.2006



### (3) Electric Charasteric

Item	Specify	Performance
Center Freq.(Fo ) +/- 0.5 %	174 MHz	174 MHz
Insertion Loss	Typ 4.0 dB	2.94 dB
-3 dB Bandwidth	Typ. 7 MHz	9.1 MHz
Sensitivity (Attenuation)	Fo - 20 MHz	Typ. 60 dBc
	Fo + 20 MHz	Typ. 43 dBc
	Fo - ( )MHz	Typ. dBc
	Fo +( )MHz	Typ. dBc
Return Loss	Min. 12 dB	32.4 dB
Ripple	< 1 dB	dB
Impedance	In / Out : 50 Ω	In / Out : 50 Ω
(4) Torque for Tuning Screw	> 100gf · cm	

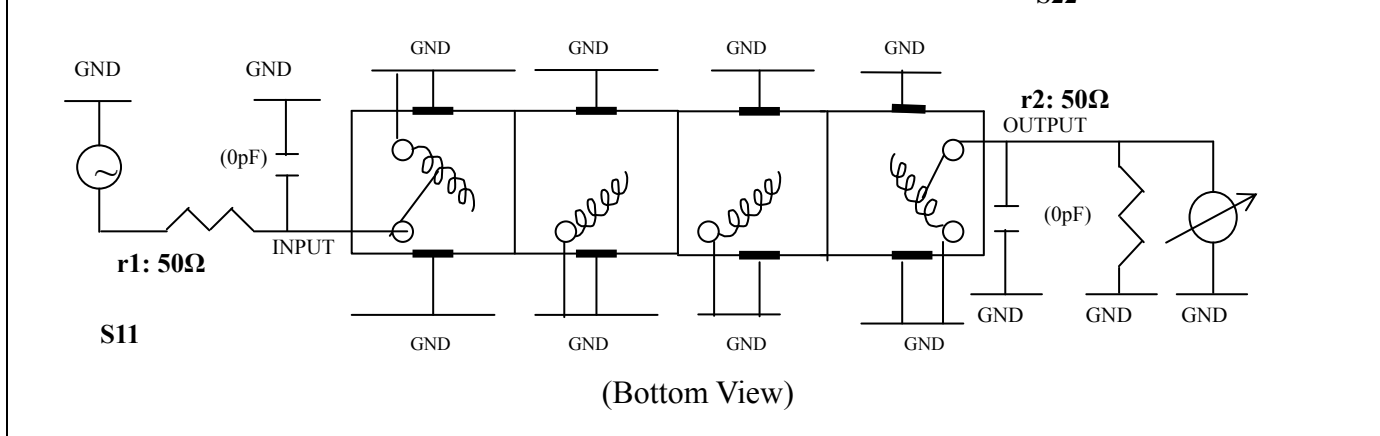
### (5) Temperature Condition:

Operating Temperature	0°C ~ +60°C
Storage Temperature	-20°C ~ +70°C

### (6) Input Power

> 1Watt

### (7) Measuring Circuit: ※Easy to match Impedance S11/S22 50Ω/ by parallel with about ( 0 pF) / ( 0 pF).

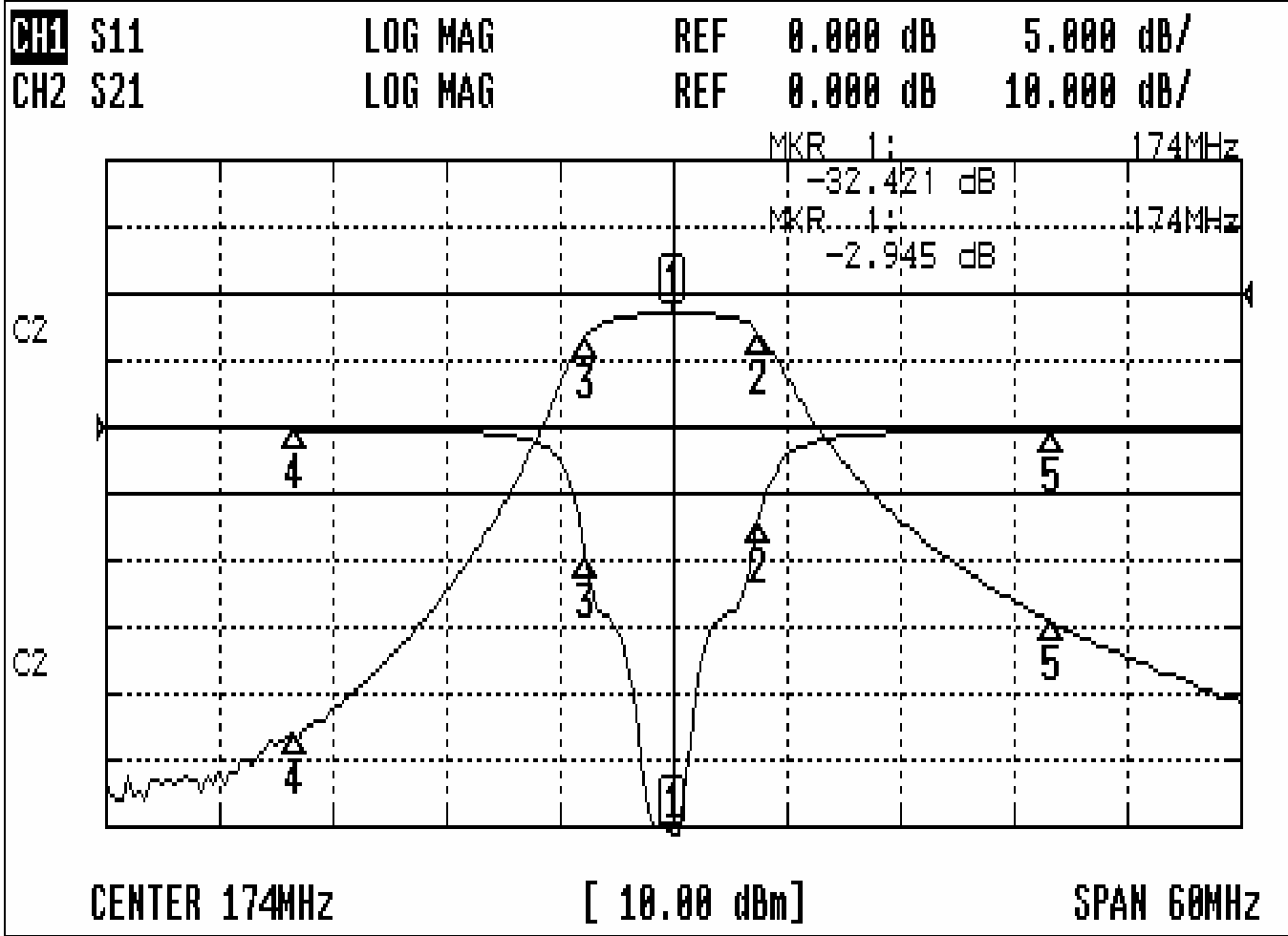


Approval	Supervisor	Designer	Aperture size
C.Y.Chang	C.S.Chang	C.S.Chang	7H4(4*6.5)(6.59) 7H024LB4

TEMWELL CORPORATION

# Performance-TF6959D-174M

## 0606075DB



### CH1 MARKER LIST

1:	174.000MHz	-32.421 dB
2:	178.550MHz	-7.052 dB
3:	169.450MHz	-10.003 dB
4:	154.000MHz	-0.146 dB
5:	194.000MHz	-0.213 dB

### CH2 MARKER LIST

1:	174.000MHz	-2.945 dB
2:	178.550MHz	-7.924 dB
3:	169.450MHz	-10.925 dB
4:	154.000MHz	-65.980 dB
5:	194.000MHz	-49.125 dB