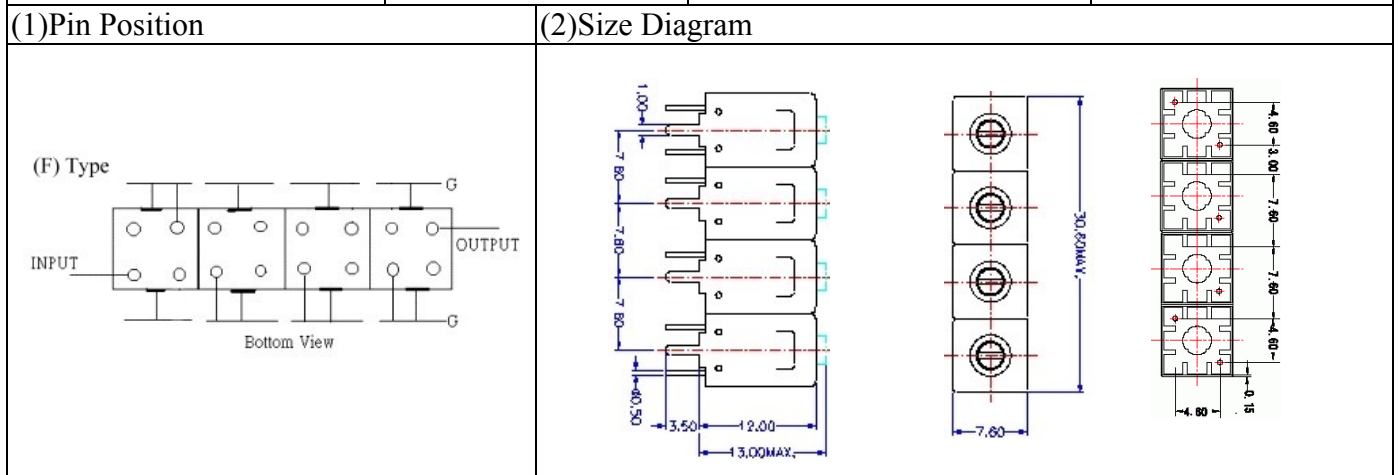


VHF UHF Helical Filter Specification Sheet

Customer Name		Temwell's Part No.	TF69618F-625M
Approval No. /dated	201206076CD	Temwell's Print Name	69618F 625M
Work Instruction No.	201206076CD	Date	Jul.09.2012



(3) Electric Characteristic

Item	Specify	Performance
Center Freq.(Fo) +/- 0.5 %	625 MHz	625 MHz
Insertion Loss	Typ. 2.0 dB	0.84 dB
-3 dB Bandwidth	Typ. 130 MHz	135.6 MHz
Sensitivity (Attenuation)	Fo - (150) MHz	Typ. 41 dBc
	Fo + (150) MHz	Typ. 28 dBc
	Fo - () MHz	Typ. dBc
	Fo + () MHz	Typ. dBc
Return Loss	Min. 12 dB	20.1 dB
Ripple	< 1 dB	dB
Impedance	In / Out : 50 Ω	In / Out : 50 Ω

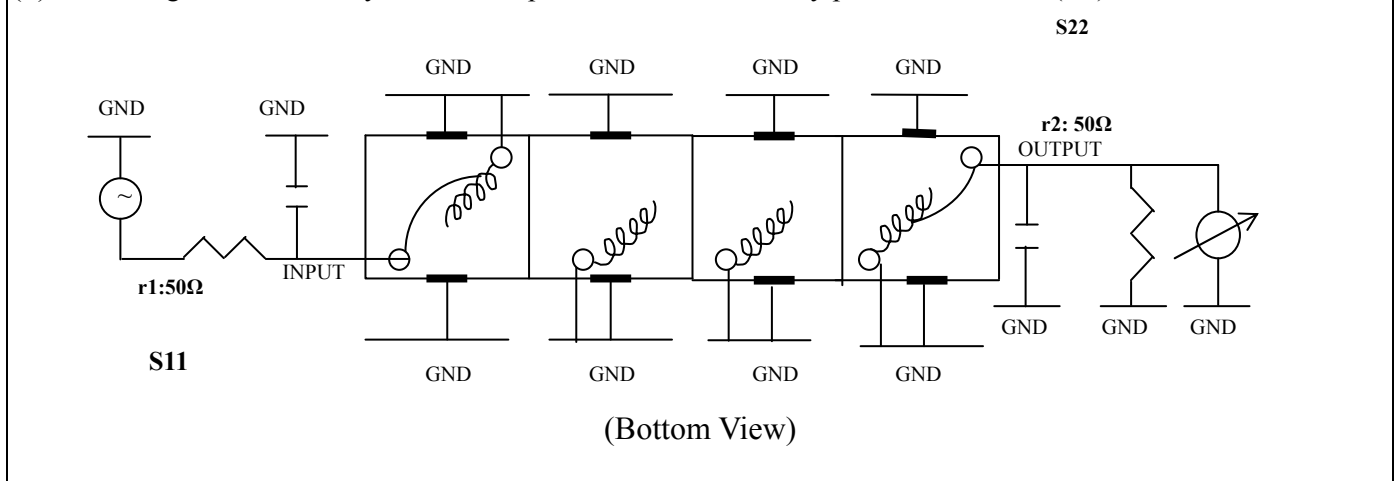
(4) Torque for Tuning Screw > 60gf · cm

(5) Temperature Condition:

Operating Temperature	0°C ~ +60°C
Storage Temperature	-20°C ~ +70°C

(6) Input Power > 1Watt

(7) Measuring Circuit: ※Easy to match Impedance S11/S22 50Ω by parallel with about(--).



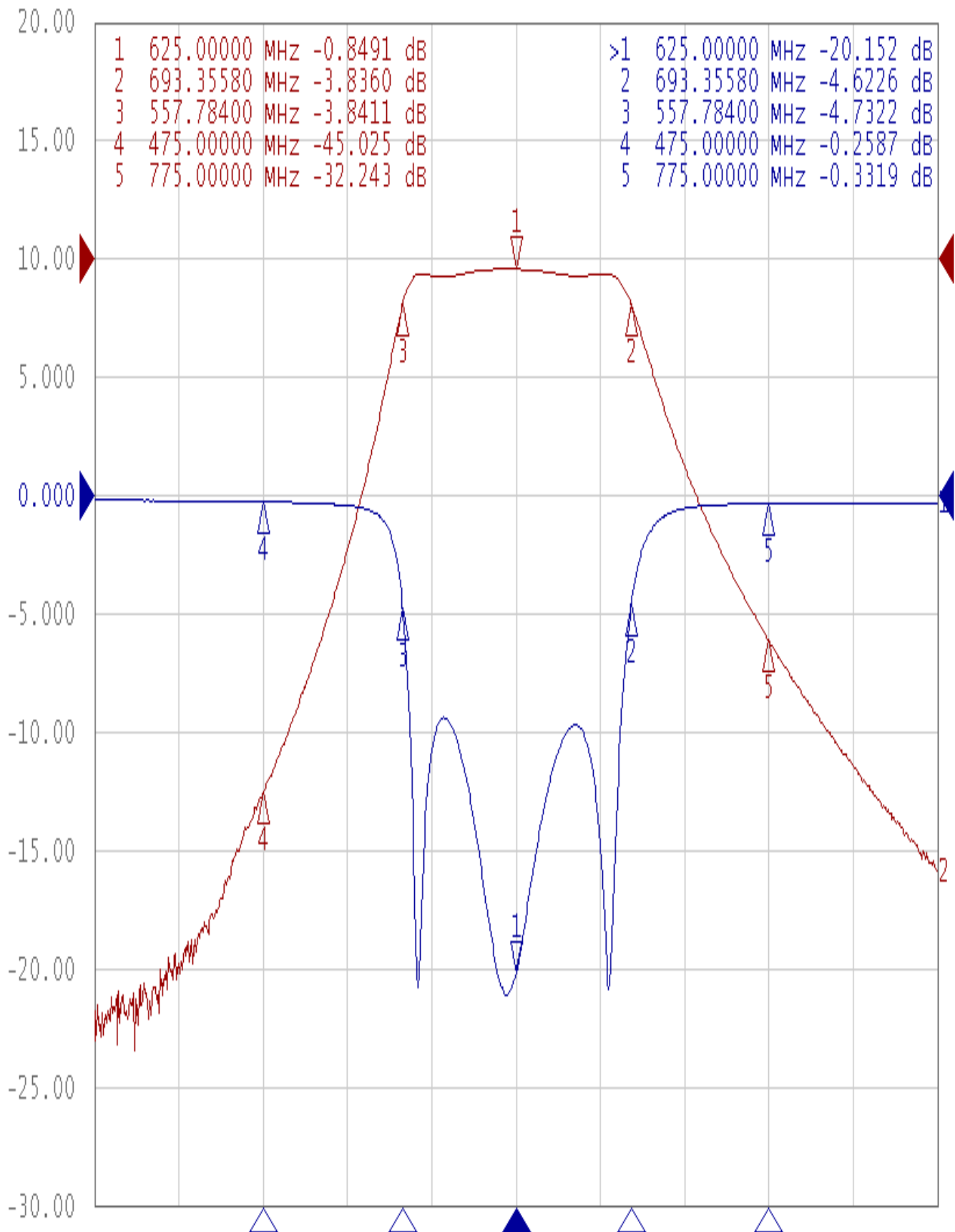
Approval	Supervisor	Designer	Aperture size
C.Y.Chang	C.K.Chang	C.S.Chang	7H4S(4*8.0)(8.04) 7H046RB6.5(J1)

TEMWELL CORPORATION

Performance-TF69618F-625M

201206076CD

▶ Tr1 S11 Log Mag 5.000dB/ Ref 0.000dB [F2]
Tr2 S21 Log Mag 10.00dB/ Ref 0.000dB [F2]



1 Center 625 MHz

IFBW 10 kHz

Span 500 MHz Cor !