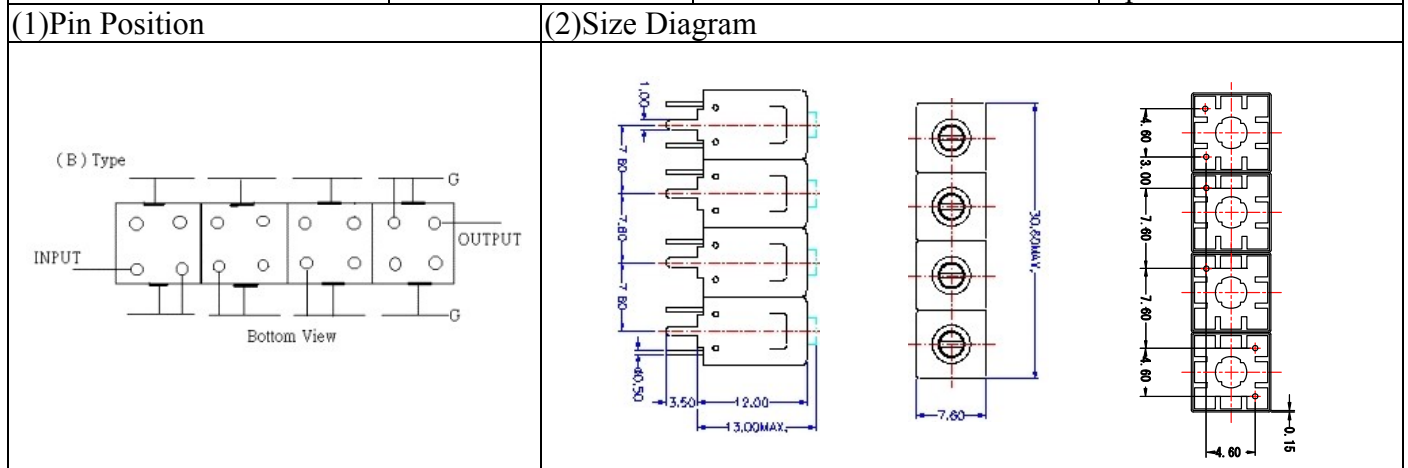


VHF UHF Helical Filter Specification Sheet

Customer Name		Temwell's Part No.	TF6961B-220M
Approval No. /dated	201702007CD	Temwell's Print Name	6961B 220M
Work Instruction No.	201702007CD	Date	Apr.17.2017



(3) Electric Characteristic

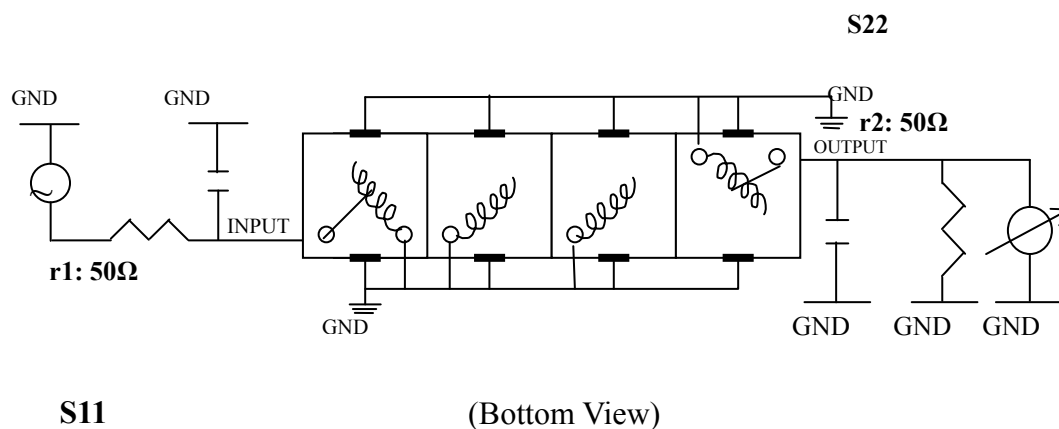
Item	Specify	Performance	
Center Freq.(Fo) +/- 0.5 %	220 MHz	220 MHz	
Insertion Loss	Typ. 3.5 dB	2.70 dB	
-3 dB Bandwidth	Typ. 11 MHz	12.7 MHz	
Sensitivity (Attenuation)	Fo - 50 MHz	Typ. 68 dBc	78 dBc
	Fo + 50 MHz	Typ. 60 dBc	73 dBc
	Fo - ()MHz	Typ. dBc	dBc
	Fo +()MHz	Typ. dBc	dBc
Return Loss	Min. 12 dB	17.6 dB	
Ripple	< 1 dB	dB	
Impedance	In / Out : 50 Ω	In / Out : 50 Ω	
(4) Torque for Tuning Screw	> 60gf • cm		

(5) Temperature Condition:

Operating Temperature	0°C ~ +60°C
Storage Temperature	-20°C ~ +70°C

(6) Input Power

(7) Measuring Circuit: ※Easy to match Impedance S11/S22 50Ω by parallel with about(- -).

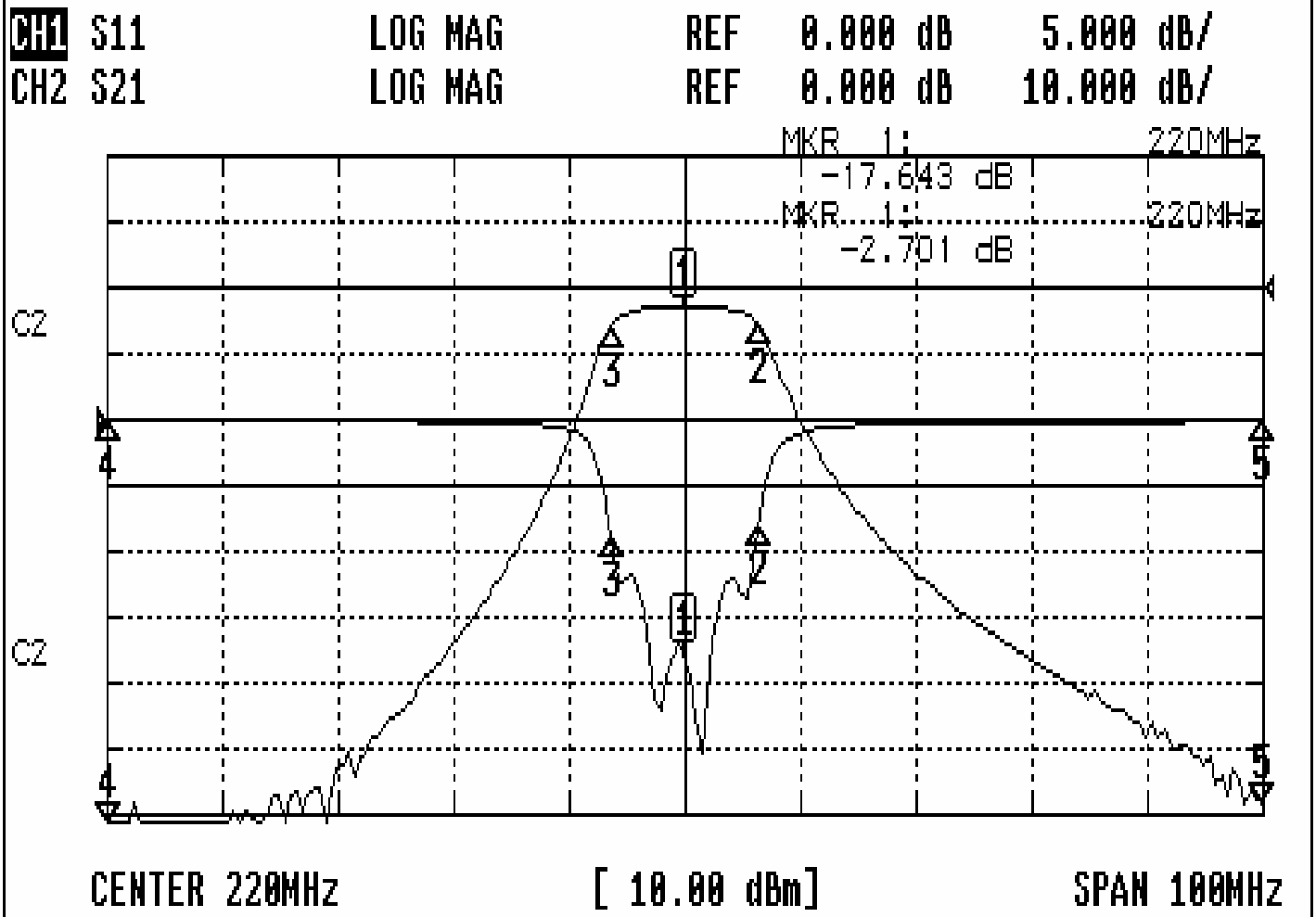


Approval	Supervisor	Designer	Aperture size
C.Y.Chang	C.K.Chang	M.Y.Kang	7H4S(4*6.35)(6.40) 7H024LB4

TEMWELL CORPORATION

Performance-TF6961B-220M

201702007CD



CH1 MARKER LIST

1:	220.000MHz	-17.643 dB
2:	226.450MHz	-7.769 dB
3:	213.666MHz	-9.075 dB
4:	170.000MHz	-0.102 dB
5:	270.000MHz	-0.132 dB
10:		

CH2 MARKER LIST

1:	220.000MHz	-2.702 dB
2:	226.450MHz	-5.715 dB
3:	213.666MHz	-5.786 dB
4:	170.000MHz	-81.391 dB
5:	270.000MHz	-76.314 dB
10:		