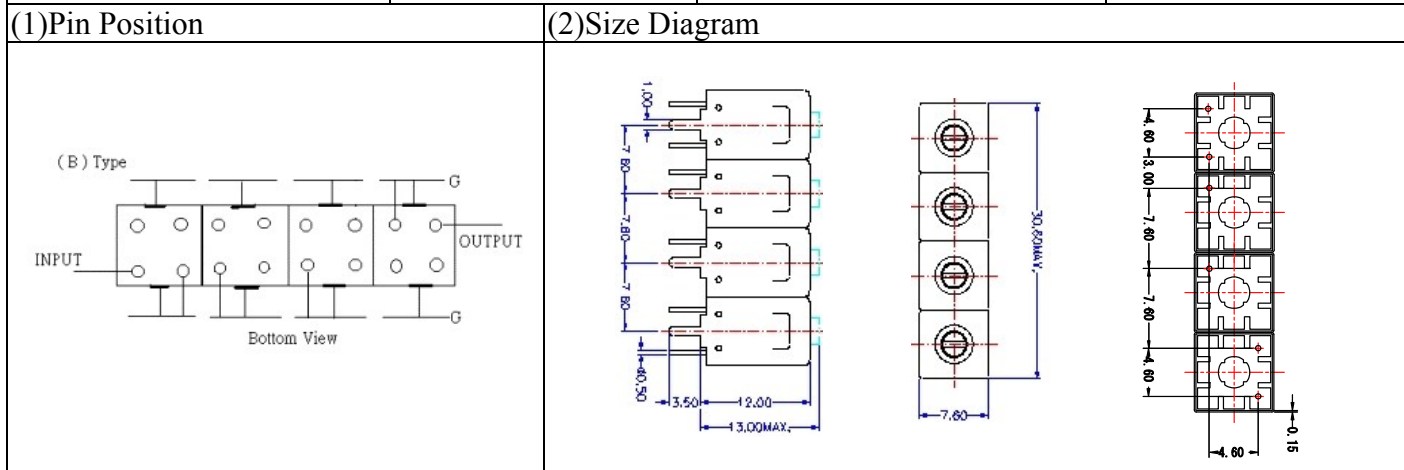


VHF UHF Helical Filter Specification Sheet

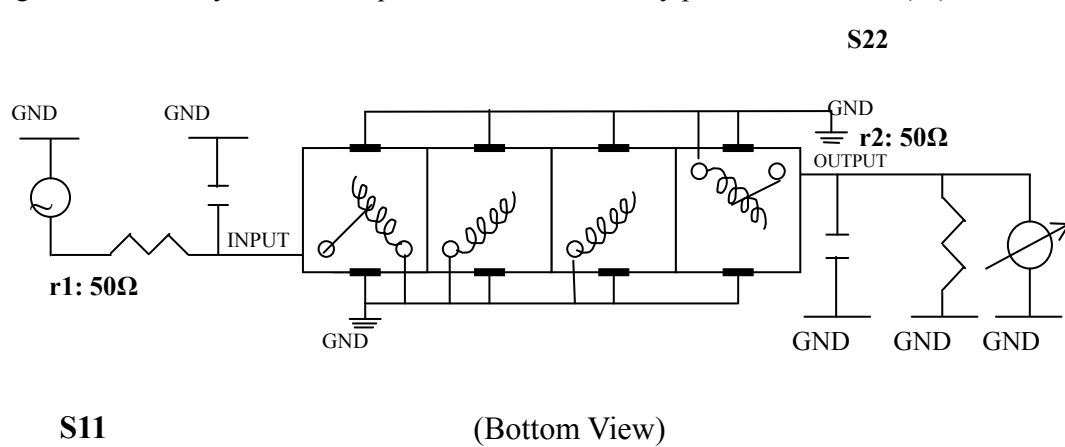
Customer Name		Temwell's Part No.	TF69629B-425M
Approval No. /dated	201703033CD	Temwell's Print Name	69629B 425M
Work Instruction No.	201703033CD	Date	Mar.09.2017



(3) Electric Characteristic

Item	Specify	Performance	
Center Freq.(Fo) +/- 0.5 %	425 MHz	425 MHz	
Insertion Loss	Typ. 2.0 dB	1.27 dB	
-3 dB Bandwidth	Typ. 35 MHz	38.9 MHz	
Sensitivity (Attenuation)	Fo - 100 MHz	Typ. 74 dBc	84 dBc
	Fo +100 MHz	Typ. 52 dBc	57 dBc
	Fo - ()MHz	Typ. dBc	dBc
	Fo +()MHz	Typ. dBc	dBc
Return Loss	Min. 12 dB	29.9 dB	
Ripple	< 1 dB	dB	
Impedance	In / Out : 50 Ω	In / Out : 50 Ω	
(4) Torque for Tuning Screw	> 60gf · cm		
(5) Temperature Condition:			
Operating Temperature	0°C ~ +60°C		
Storage Temperature	-20°C ~ +70°C		
(6) Input Power	> 1Watt		

(7) Measuring Circuit: ※Easy to match Impedance S11/S22 50Ω by parallel with about(- -).

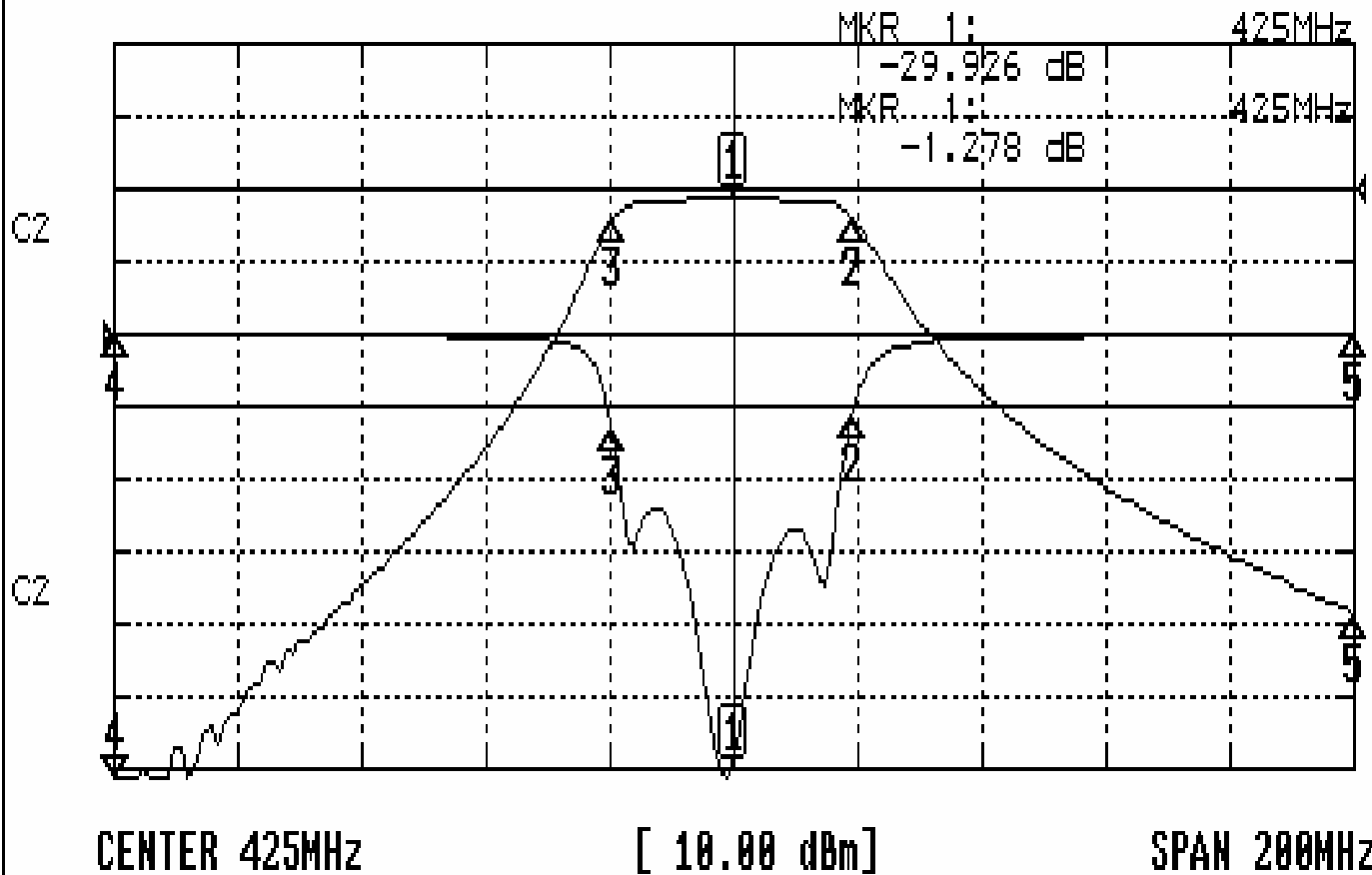


Approval	Supervisor	Designer	Aperture size
C.Y.Chang	C.K.Chang	C.H.Yeh	7H4S(4*6.8)(6.83) 7H046LB5
TEMWELL CORPORATION			

Performance-TF69629B-425M

201703033CD

CH1 S11 LOG MAG REF 0.000 dB 5.000 dB/
CH2 S21 LOG MAG REF 0.000 dB 10.000 dB/



CH1 MARKER LIST

1:	425.000MHz	-29.926	dB
2:	444.333MHz	-5.368	dB
3:	405.420MHz	-6.330	dB
4:	325.000MHz	-0.063	dB
5:	525.000MHz	-0.045	dB

6:
7:
8:
9:
10:

CH2 MARKER LIST

1:	425.000MHz	-1.278	dB
2:	444.333MHz	-4.218	dB
3:	405.420MHz	-4.268	dB
4:	325.000MHz	-86.194	dB
5:	525.000MHz	-58.762	dB

6:
7:
8:
9:
10: