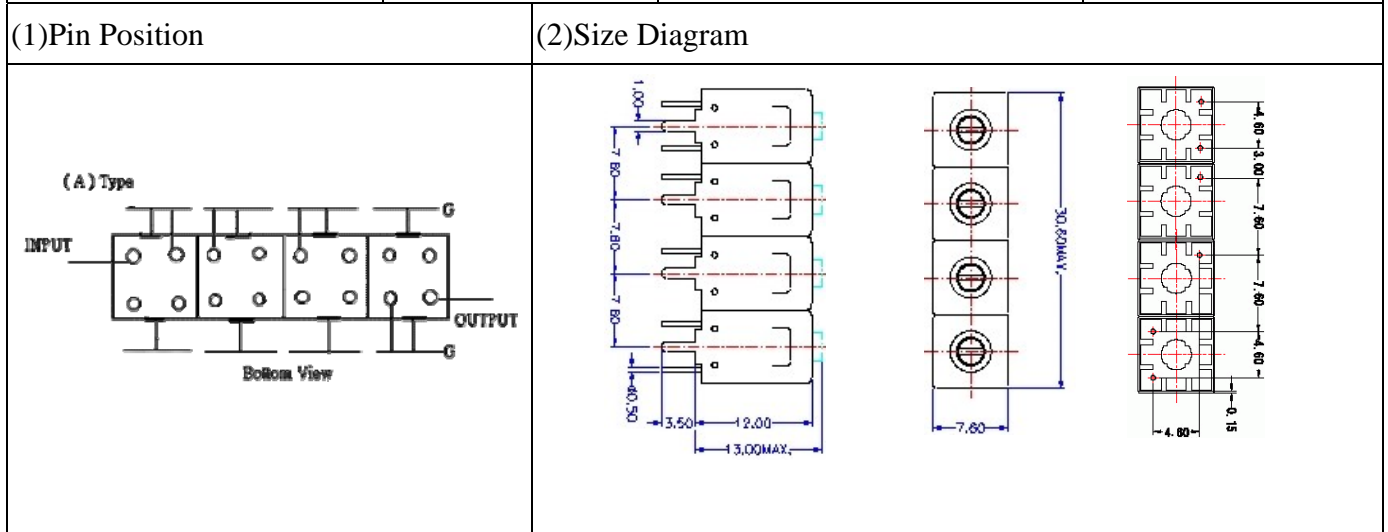


VHF UHF Helical Filter Specification Sheet

Customer Name		Temwell's Part No.	TF69632A-660M
Approval No. /dated	20312017DB	Acceptable Specify Fo. Range	641~660MHz
Work Instruction No.	20312017DB	Date	Dec.10.2003



(3) Electric Character

Item	Specify	Performance	
Center Freq.(Fo) +/- 0.5 %	660 MHz	660 MHz	
Insertion Loss	Typ. 6.0 dB	5.21 dB	
-3 dB Bandwidth	Typ. 10 MHz	13.2 MHz	
Sensitivity (Attenuation)	Fo - 40 MHz	Typ. 65 dBc	72 dBc
	Fo + 40 MHz	Typ. 54 dBc	57 dBc
	Fo - ()MHz	Typ. dBc	dBc
	Fo +()MHz	Typ. dBc	dBc
Return Loss	Min. 12 dB	24.4 dB	
Ripple	< 1 dB	dB	
Impedance	In / Out : 50 Ω	In / Out : 50 Ω	

(4) Torque for Tuning Screw > 100gf • cm

(5) Temperature Condition:

Operating Temperature	0°C ~ +60°C
Storage Temperature	-20°C ~ +70°C

(6) Input Power > 1Watt

Approval	Supervisor	Designer	Aperture size
C.Y.Chang	C.S.Chang	C.S.Chang	7H4S(4*4.65) 7H046LB4 聚 3

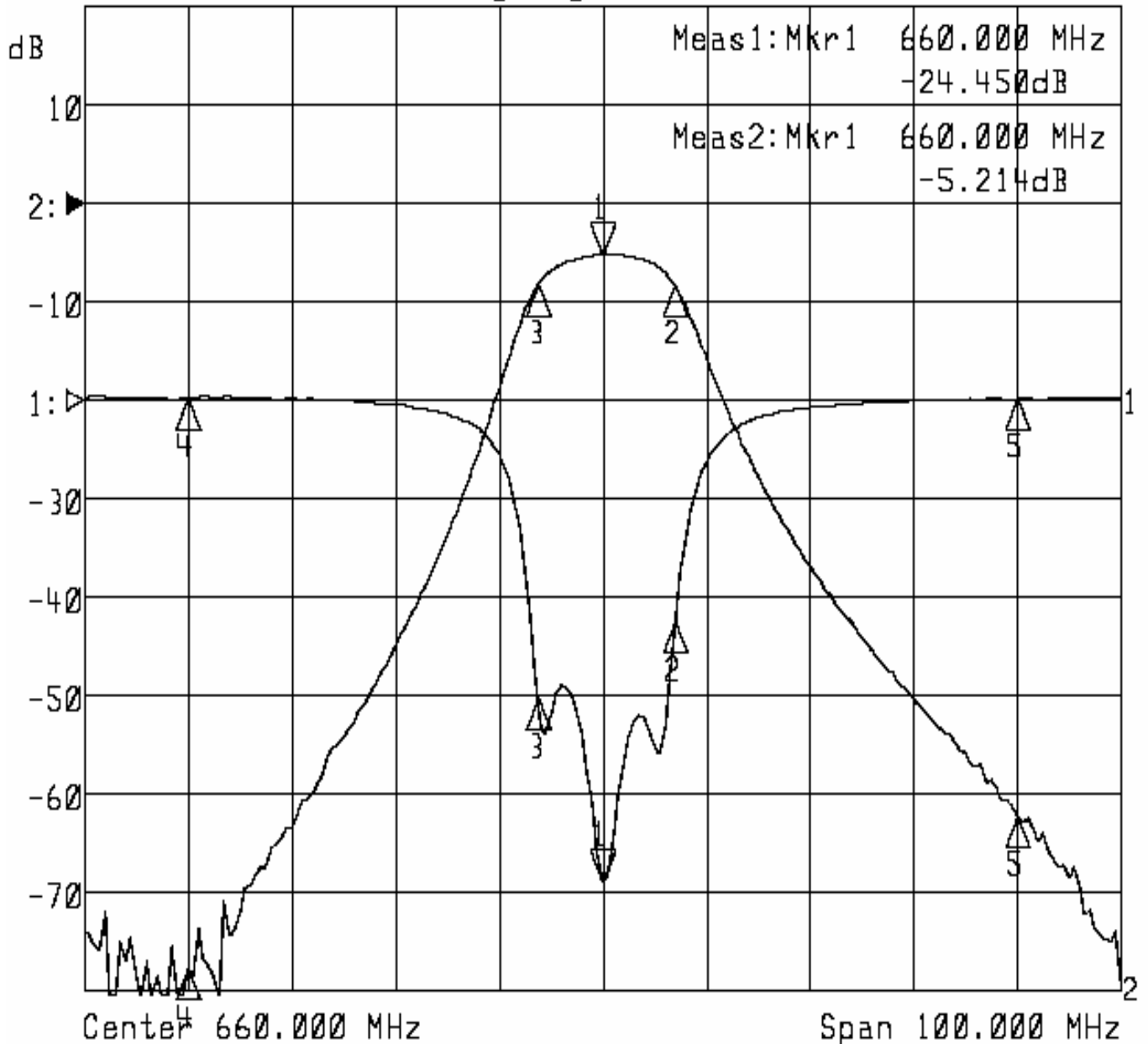
TEMWELL CORPORATION

Performance-TF69632A-660M

20312017DB

▷1:S11 Refl Port1 Log Mag 5.0 dB/ Ref 0.00 dB C?

▷2:S21 Fwd Trans Log Mag 10.0 dB/ Ref 0.00 dB C?



1: Mkr (MHz)	dB	2: Mkr (MHz)	dB
1> 660.0000	-24.450	1> 660.0000	-5.214
2: 666.9667	-11.264	2: 666.9667	-8.276
3: 653.7333	-15.069	3: 653.7333	-8.249
4: 620.0000	0.157	4: 620.0000	-77.810
5: 700.0000	0.077	5: 700.0000	-62.243