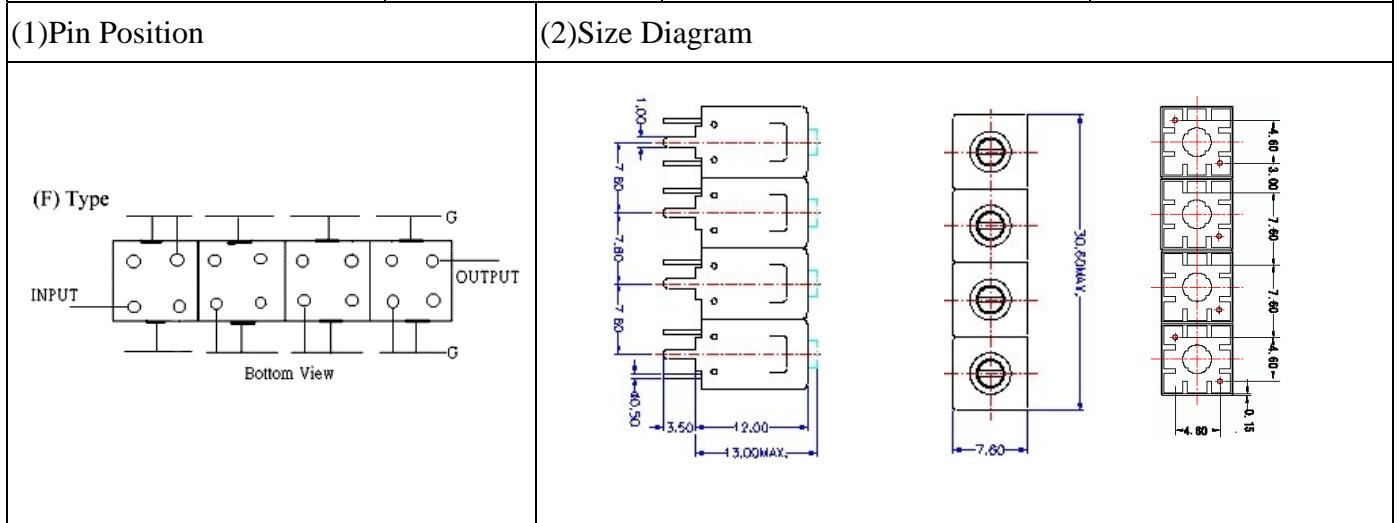


VHF UHF Helical Filter Specification Sheet

Customer Name		Temwell's Part No.	TF69633F-660M
Approval No. /dated	20312016DB	Acceptable Specify Fo. Range	641~660MHz
Work Instruction No.	20312016DB	Date	Dec.15.2003



(3)Electric Character

Item	Specify	Performance
Center Freq.(Fo) +/- 0.5 %	660 MHz	660 MHz
Insertion Loss	Typ. 3.0 dB	1.72 dB
-3 dB Bandwidth	Typ. 58 MHz	62 MHz
Sensitivity (Attenuation)	Fo - 70 MHz	Typ. 39 dBc
	Fo + 70 MHz	Typ. 22 dBc
	Fo - ()MHz	Typ. dBc
	Fo +()MHz	Typ. dBc
Return Loss	Min. 12 dB	22.7 dB
Ripple	< 1 dB	
Impedance	In / Out : 50 Ω	In / Out : 50 Ω
(4)Torque for Tuning Screw	> 100gf • cm	

(5)Temperature Condition:

Operating Temperature	0°C ~ +60°C
Storage Temperature	-20°C ~ +70°C
(6)Input Power	> 1Watt

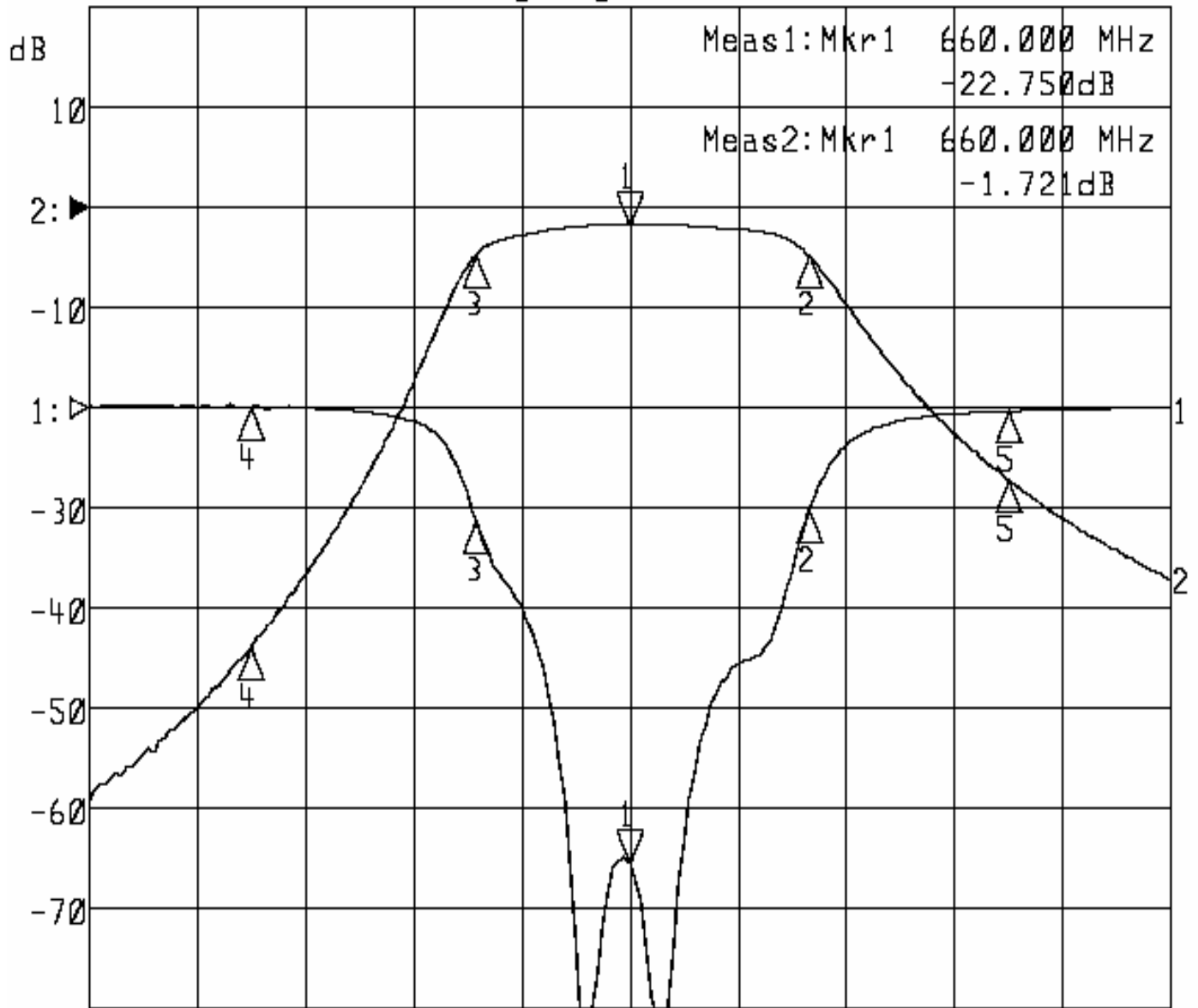
Approval	Supervisor	Designer	Aperture size
C.Y.Chang	C.S.Chang	C.S.Chang	7H4S(4*7.5) 7H046LB6

TEMWELL CORPORATION

Performance-TF69633F-660M

20312016DB

▶1:S11 Refl Port1 Log Mag 5.0 dB/ Ref 0.00 dB C
▶2:S21 Fwd Trans Log Mag 10.0 dB/ Ref 0.00 dB C



Center 660.000 MHz

Span 200.000 MHz

1: Mkr (MHz)	dB	2: Mkr (MHz)	dB
1> 660.0000	-22.750	1> 660.0000	-1.721
2: 693.1000	-5.143	2: 693.1000	-4.770
3: 631.6000	-5.600	3: 631.6000	-4.730
4: 590.0000	0.021	4: 590.0000	-43.889
5: 730.0000	-0.165	5: 730.0000	-27.205