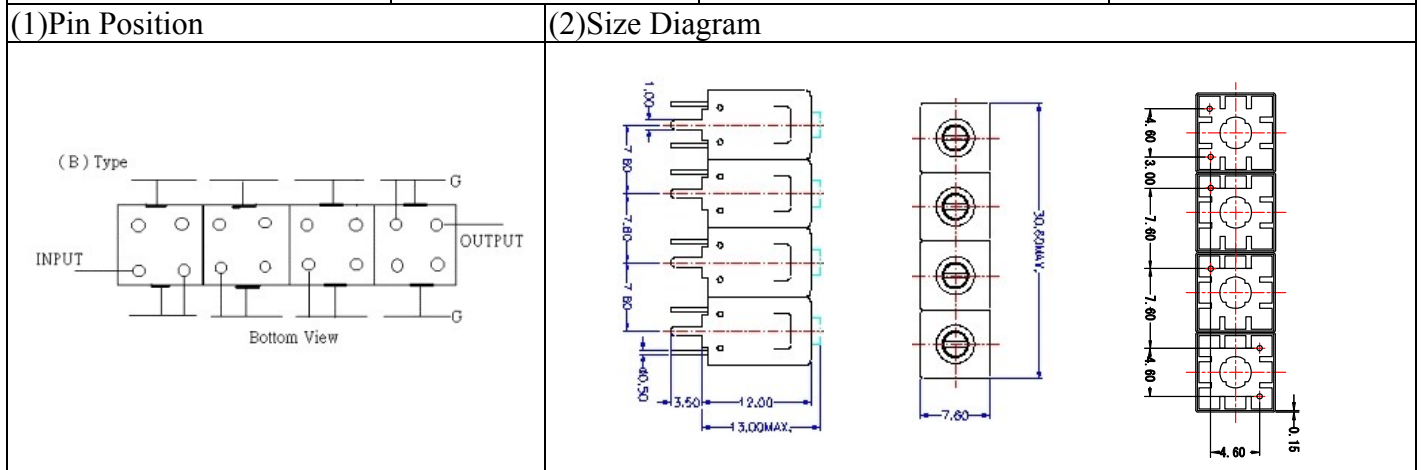
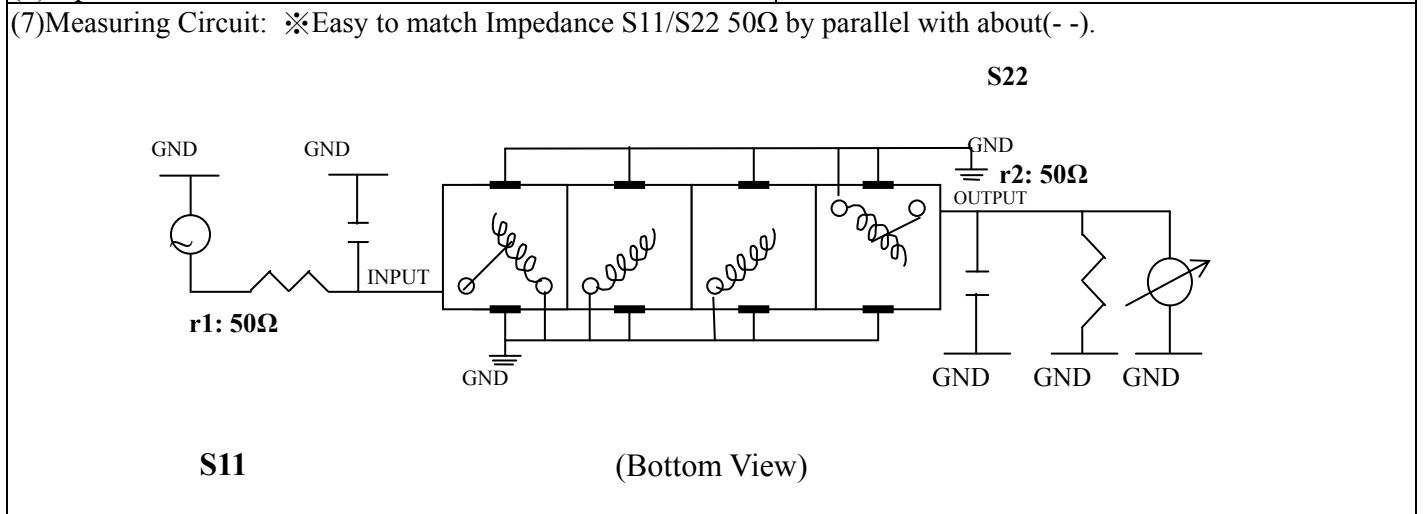


# VHF UHF Helical Filter Specification Sheet

Customer Name		Temwell's Part No.	TF6963B-226.5M
Approval No. /dated	201702013CD	Temwell's Print Name	6963B 226.5M
Work Instruction No.	201702013CD	Date	Feb.18.2017



(3) Electric Characteristic			
Item		Specify	Performance
Center Freq.(Fo) +/- 0.5 %		226.5 MHz	226.5 MHz
Insertion Loss		Typ. 3.0 dB	2.24 dB
-3 dB Bandwidth		Typ. 12 MHz	15.4 MHz
Sensitivity (Attenuation)	Fo - 20 MHz	Typ. 40 dBc	45 dBc
	Fo + 20 MHz	Typ. 30 dBc	35 dBc
	Fo - ( )MHz	Typ. dBc	dBc
	Fo + ( )MHz	Typ. dBc	dBc
Return Loss		Min. 12 dB	19.1 dB
Ripple		< 1 dB	dB
Impedance		In / Out : 50 Ω	In / Out : 50 Ω
(4) Torque for Tuning Screw		> 60gf · cm	
(5) Temperature Condition:			
Operating Temperature		0°C ~ +60°C	
Storage Temperature		-20°C ~ +70°C	
(6) Input Power		> 1Watt	



Approval	Supervisor	Designer	Aperture size
C.Y.Chang	C.K.Chang	C.H.Yeh	7H4S(4*6.8)(6.82) 7H024LB4
TEMWELL CORPORATION			

# Performance-TF6963B-226.5M

## 201702013CD

CH1 S11

LOG MAG

REF 0.000 dB

5.000 dB/

CH2 S21

LOG MAG

REF 0.000 dB

10.000 dB/

MKR 1: 226.5MHz

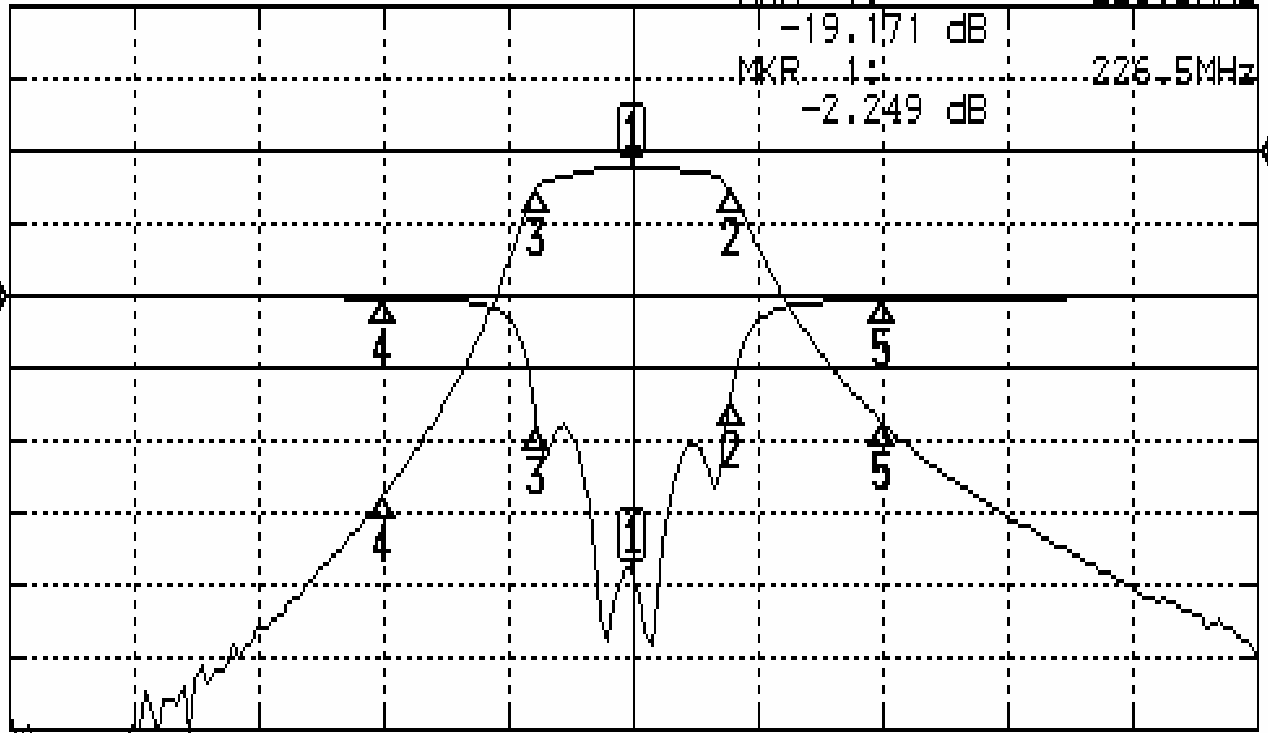
-19.171 dB

MKR 1: 226.5MHz

-2.249 dB

C2

C2



CENTER 226.5MHz

[ 10.00 dBm ]

SPAN 100MHz

### CH1 MARKER LIST

1:	226.500MHz	-19.175 dB
2:	234.333MHz	-7.267 dB
3:	218.900MHz	-9.208 dB
4:	206.500MHz	-0.181 dB
5:	246.500MHz	-0.280 dB

### CH2 MARKER LIST

1:	226.500MHz	-2.249 dB
2:	234.333MHz	-15.368 dB
3:	218.900MHz	-15.235 dB
4:	206.500MHz	-47.749 dB
5:	246.500MHz	-37.573 dB