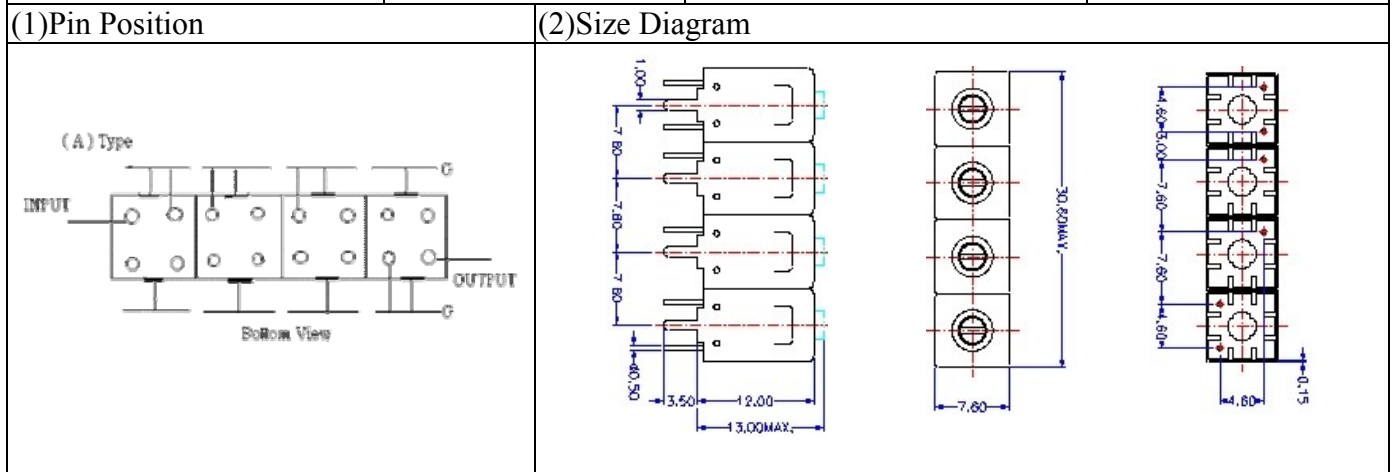


VHF UHF Helical Filter Specification Sheet

| | | | |
|----------------------|------------|-----------------------|-------------------|
| Customer Name | | Temwell's Part No. | TF69641A1-113.5M |
| Approval No. /dated | 0709082APR | Customer's Part name. | 69641A1 113.5M |
| Work Instruction No. | 0709082B | Date | Oct.02.2007 |



(3) Electric Characteristic

| Item | Specify | Performance | |
|-----------------------------|-----------------|-----------------|--------|
| Center Freq.(Fo) +/- 0.5 % | 113.5 MHz | 113.5 MHz | |
| Insertion Loss | Typ. 4.0 dB | 2.11 dB | |
| -3 dB Bandwidth | Typ. 14 MHz | 15.1 MHz | |
| Sensitivity (Attenuation) | Fo - 40 MHz | Typ. 65 dBc | 78 dBc |
| | Fo + 40 MHz | Typ. 70 dBc | 80 dBc |
| | Fo - ()MHz | Typ. dBc | dBc |
| | Fo +()MHz | Typ. dBc | dBc |
| Return Loss | Min. 12 dB | 14.5 dB | |
| Ripple | < 1 dB | dB | |
| Impedance | In / Out : 50 Ω | In / Out : 50 Ω | |
| (4) Torque for Tuning Screw | > 60gf · cm | | |

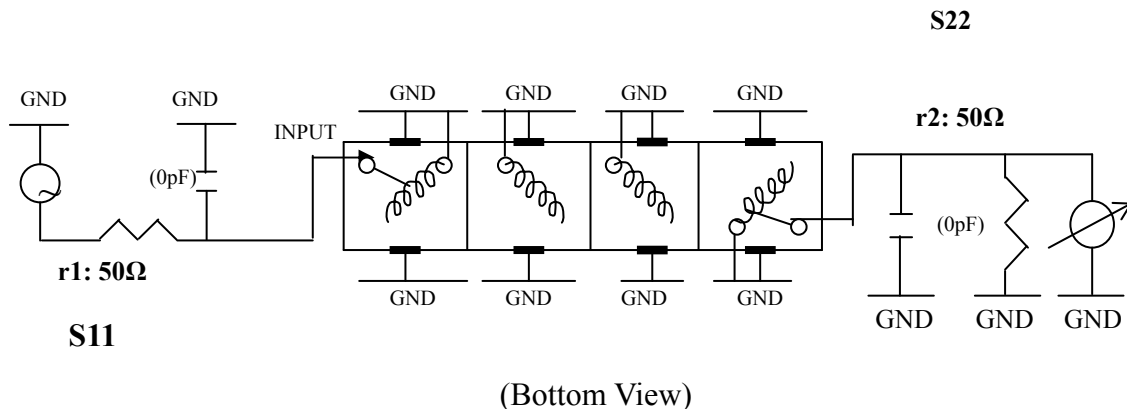
(5) Temperature Condition:

| | |
|-----------------------|---------------|
| Operating Temperature | 0°C ~ +60°C |
| Storage Temperature | -20°C ~ +70°C |

(6) Input Power

> 1Watt

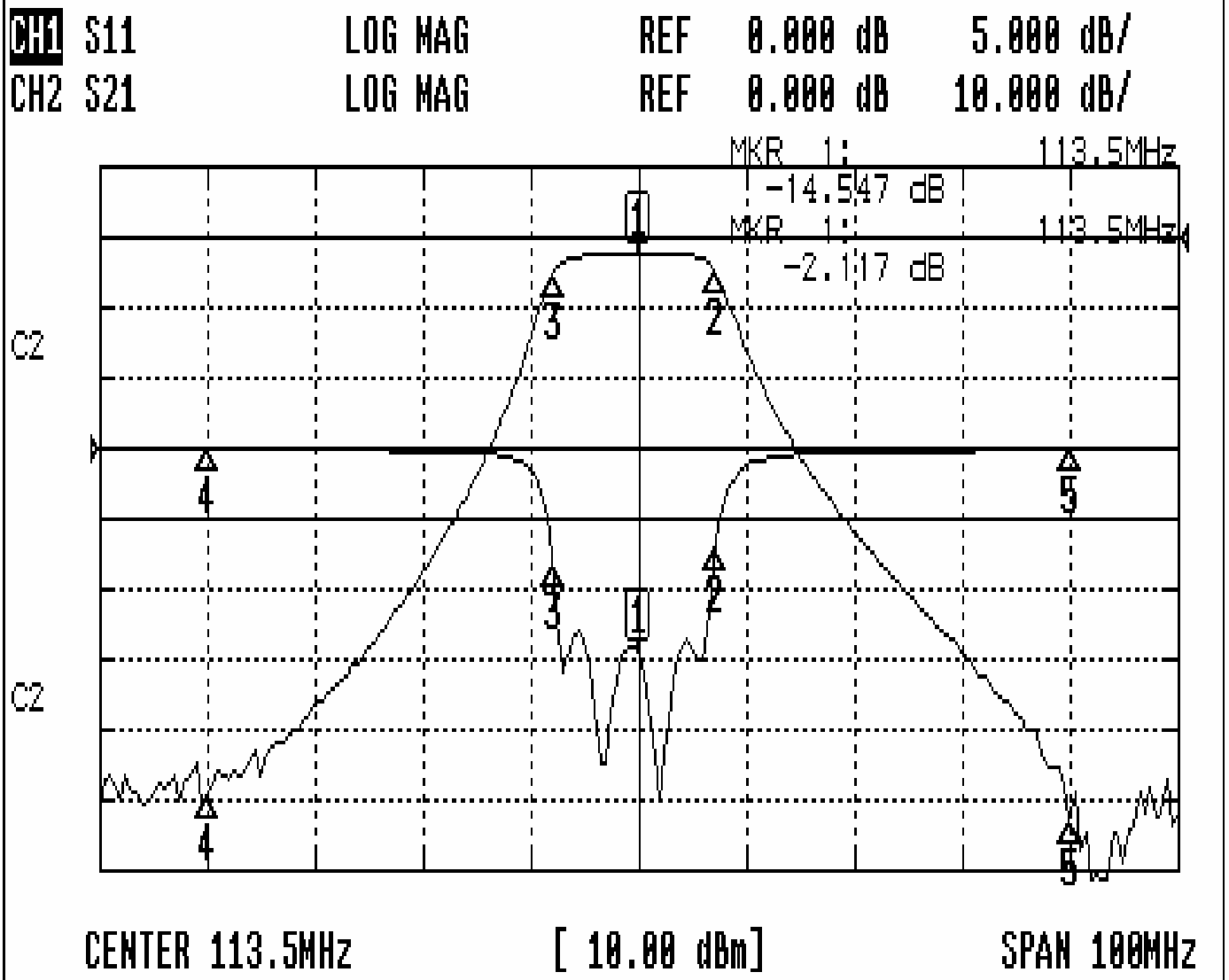
(7) Measuring Circuit: ※Easy to match Impedance S11/S22 50Ω/ by parallel with about(0 pF) / (0 pF).



| | | | |
|---------------------|------------|------------|------------------|
| Approval | Supervisor | Designer | Aperture size |
| C.Y.Chang | C.S.Chang | P.H.Chiang | 7H4(4*5.5)(5.59) |
| TEMWELL CORPORATION | | | |

Performance-TF69641A1-113.5M

0709082B



CH1 MARKER LIST

| | | |
|-----|------------|------------|
| 1: | 113.500MHz | -14.552 dB |
| 2: | 120.666MHz | -7.164 dB |
| 3: | 105.983MHz | -8.277 dB |
| 4: | 73.500MHz | -0.097 dB |
| 5: | 153.500MHz | -0.111 dB |
| 6: | | |
| 7: | | |
| 8: | | |
| 9: | | |
| 10: | | |

CH2 MARKER LIST

| | | |
|----|------------|------------|
| 1: | 113.500MHz | -2.117 dB |
| 2: | 120.666MHz | -1.101 dB |
| 3: | 105.983MHz | -1.151 dB |
| 4: | 73.500MHz | -80.437 dB |
| 5: | 153.500MHz | -83.044 dB |
| 6: | | |