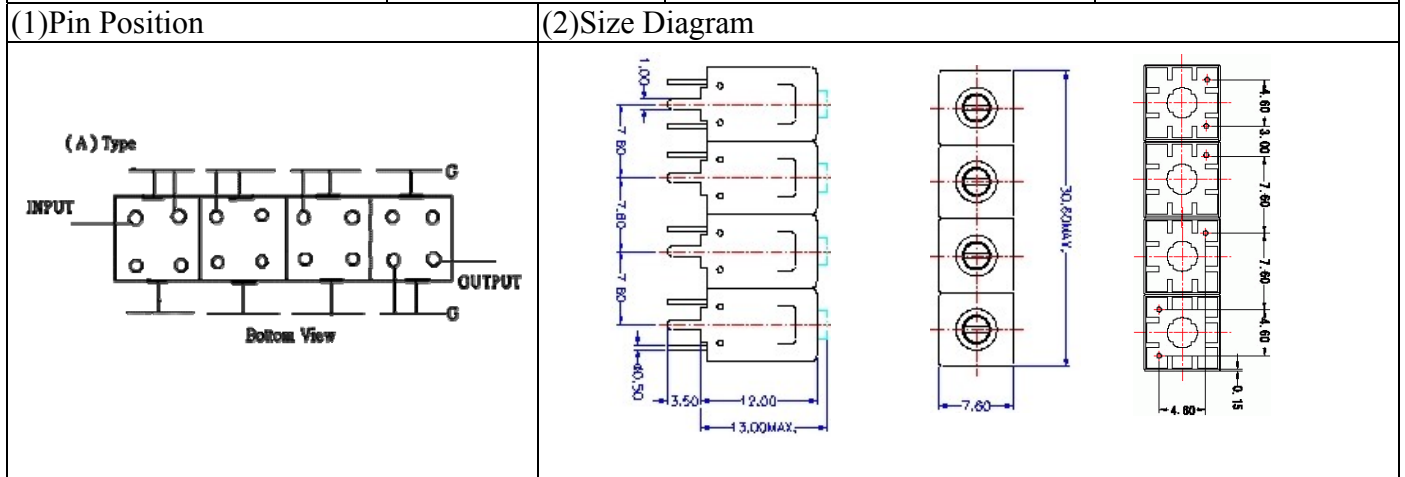
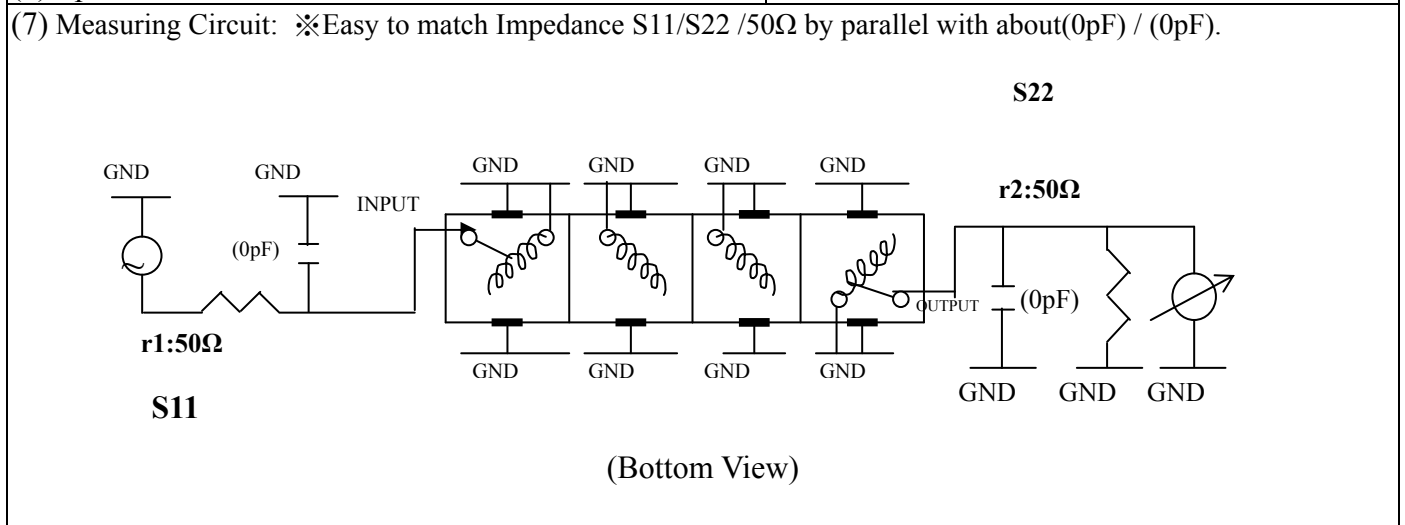


VHF UHF Helical Filter Specification Sheet

Customer Name		Temwell's Part No.	TF6964A-650M
Approval No. /dated	0712105APR	Acceptable Specify Fo Range	641~660MHz
Work Instruction No.	0712105CD	Date	Mar.11.2008



(3) Electric Characteristic			
Item		Specify	Performance
Center Freq.(Fo) +/- 0.5 %		650 MHz	650 MHz
Insertion Loss		Typ. 7.0 dB	6.22 dB
-3 dB Bandwidth		Typ. 5 MHz	8.3 MHz
Sensitivity (Attenuation)	Fo - 20 MHz	Typ. 48 dBc	51 dBc
	Fo + 20 MHz	Typ. 37 dBc	40 dBc
	Fo - ()MHz	Typ. dBc	dBc
	Fo +()MHz	Typ. dBc	dBc
Return Loss		Min. 12 dB	30.8 dB
Ripple		< 1 dB	dB
Impedance		In / Out : 50 Ω	In / Out : 50 Ω
(4) Torque for Tuning Screw		> 100gf · cm	
(5) Temperature Condition:			
Operating Temperature		0°C ~ +60°C	
Storage Temperature		-20°C ~ +70°C	
(6) Input Power		> 1Watt	



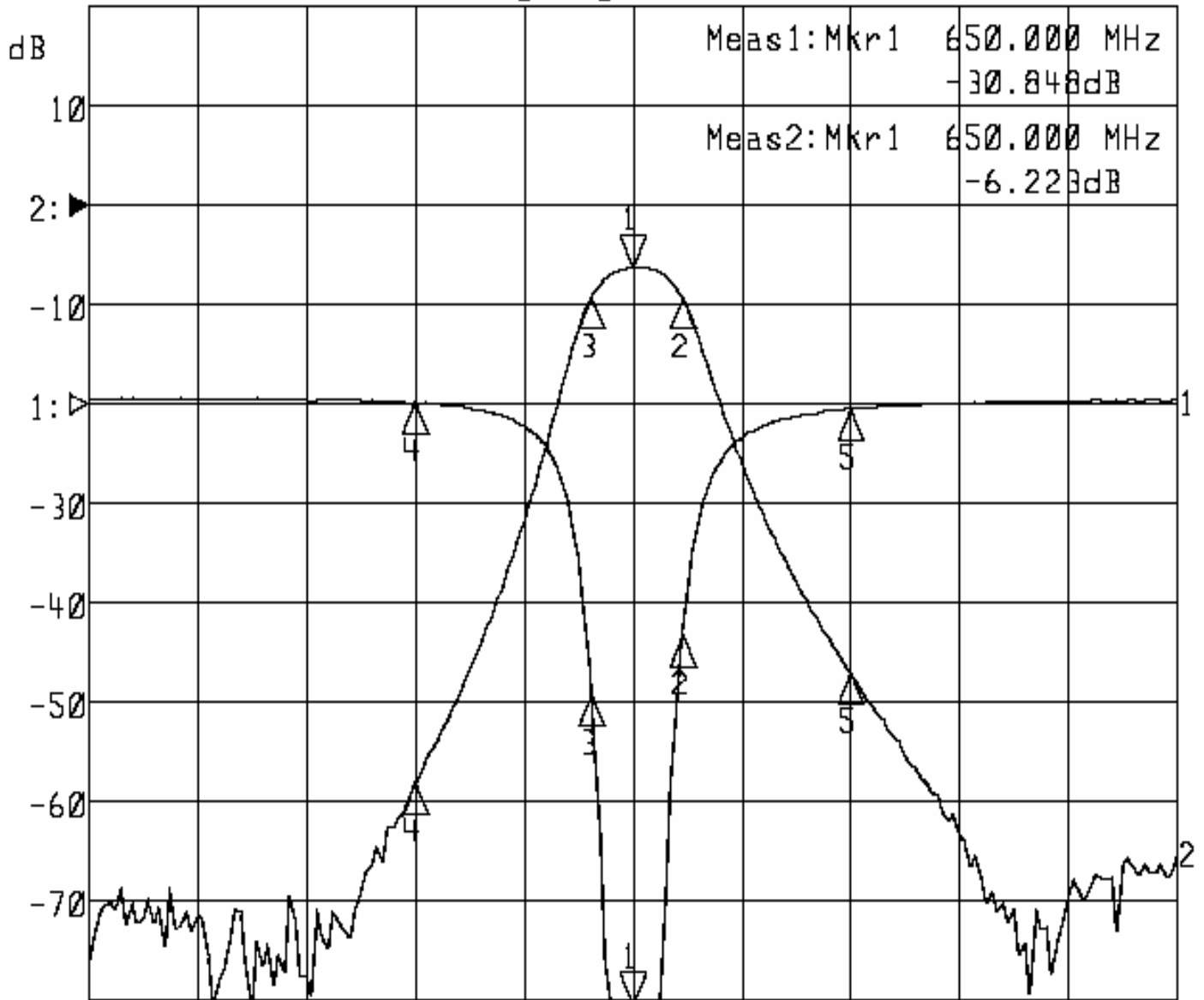
Approval	Supervisor	Designer	Aperture size
C.Y.Chang	C.S.Chang	Y.H.Chuan	7H4(4*4.65F)*(4.0B) 7H046LB4 聚 3

TEMWELL CORPORATION

Performance-TF6964A-650M

0712105CD

▷1:S11 Refl Port1 Log Mag 5.0 dB/ Ref 0.00 dB C
▶2:S21 Fwd Trans Log Mag 10.0 dB/ Ref 0.00 dB C



Center 650.000 MHz

Span 100.000 MHz

1:Mkr (MHz)	dB	2:Mkr (MHz)	dB
1> 650.0000	-30.848	1> 650.0000	-6.223
2: 654.5333	-11.621	2: 654.5333	-9.252
3: 646.2000	-14.615	3: 646.2000	-9.245
4: 630.0000	0.090	4: 630.0000	-58.117
5: 670.0000	-0.258	5: 670.0000	-47.089