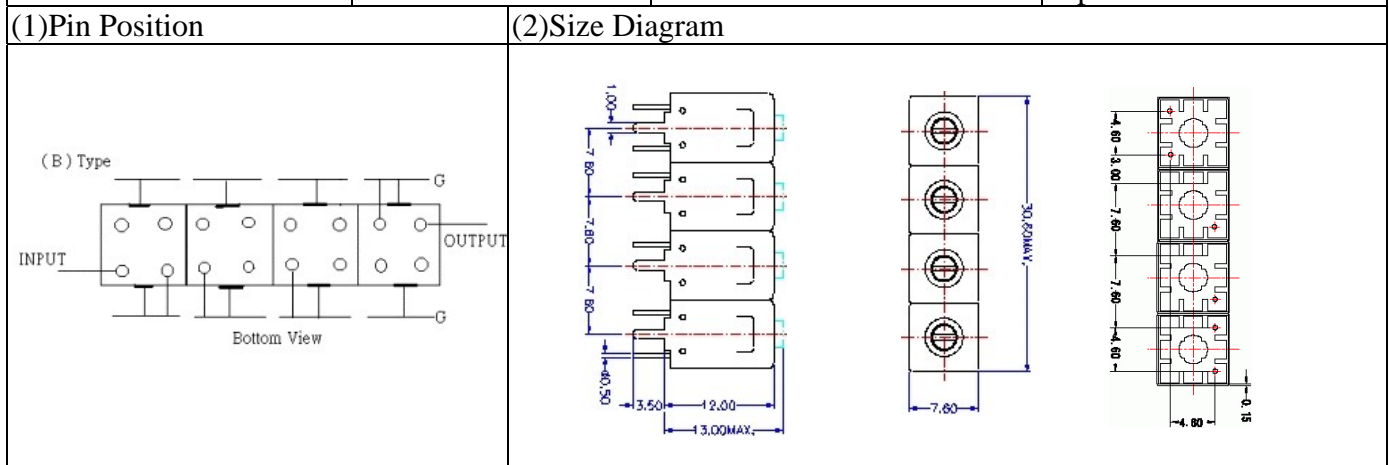


VHF UHF Helical Filter Specification Sheet

Customer Name		Temwell's Part No.	TF69653B-775M
Approval No. /dated	0509083APR	Acceptable Specify Fo Range	751~800MHz
Work Instruction No.	0509083DC	Date	Sep.29.2005



(3) Electric Character

Item	Specify	Performance	
Center Freq.(Fo) +/- 0.5 %	775 MHz	775 MHz	
Insertion Loss	Typ. 2.5 dB	1.64 dB	
-3 dB Bandwidth	Typ. 55 MHz	59.5 MHz	
Sensitivity (Attenuation)	Fo - 50 MHz	Typ. 20 dBc	23 dBc
	Fo + 50 MHz	Typ. 14 dBc	17 dBc
	Fo - ()MHz	Typ. dBc	dBc
	Fo +()MHz	Typ. dBc	dBc
Return Loss	Min. 12 dB	15.6 dB	
Ripple	< 1 dB	dB	
Impedance	In / Out : 50 Ω	In / Out : 50 Ω	

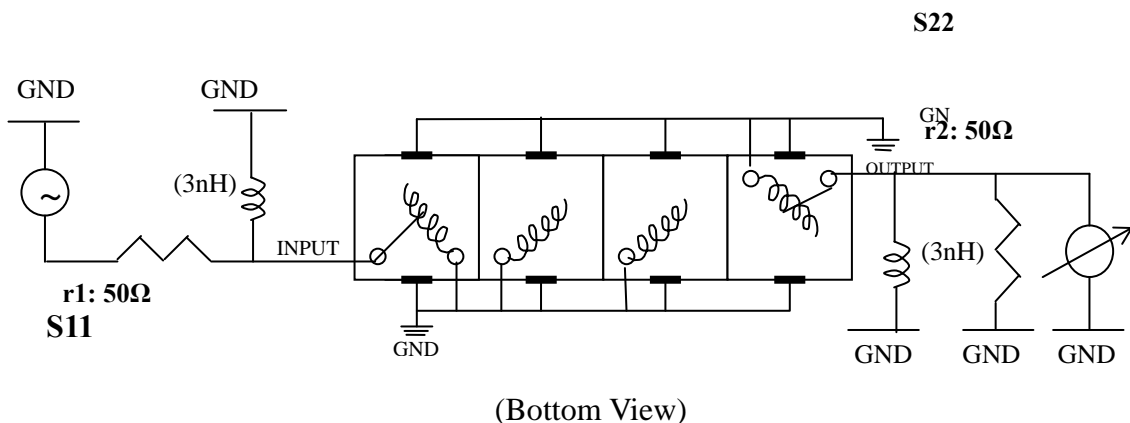
(4) Torque for Tuning Screw > 100gf · cm

(5) Temperature Condition:

Operating Temperature	0°C ~ +60°C
Storage Temperature	-20°C ~ +70°C

(6) Input Power > 1Watt

(7) Measuring Circuit: ※Easy to match Impedance S11/S22 50 by parallel with about(3 nH) / (3 nH).

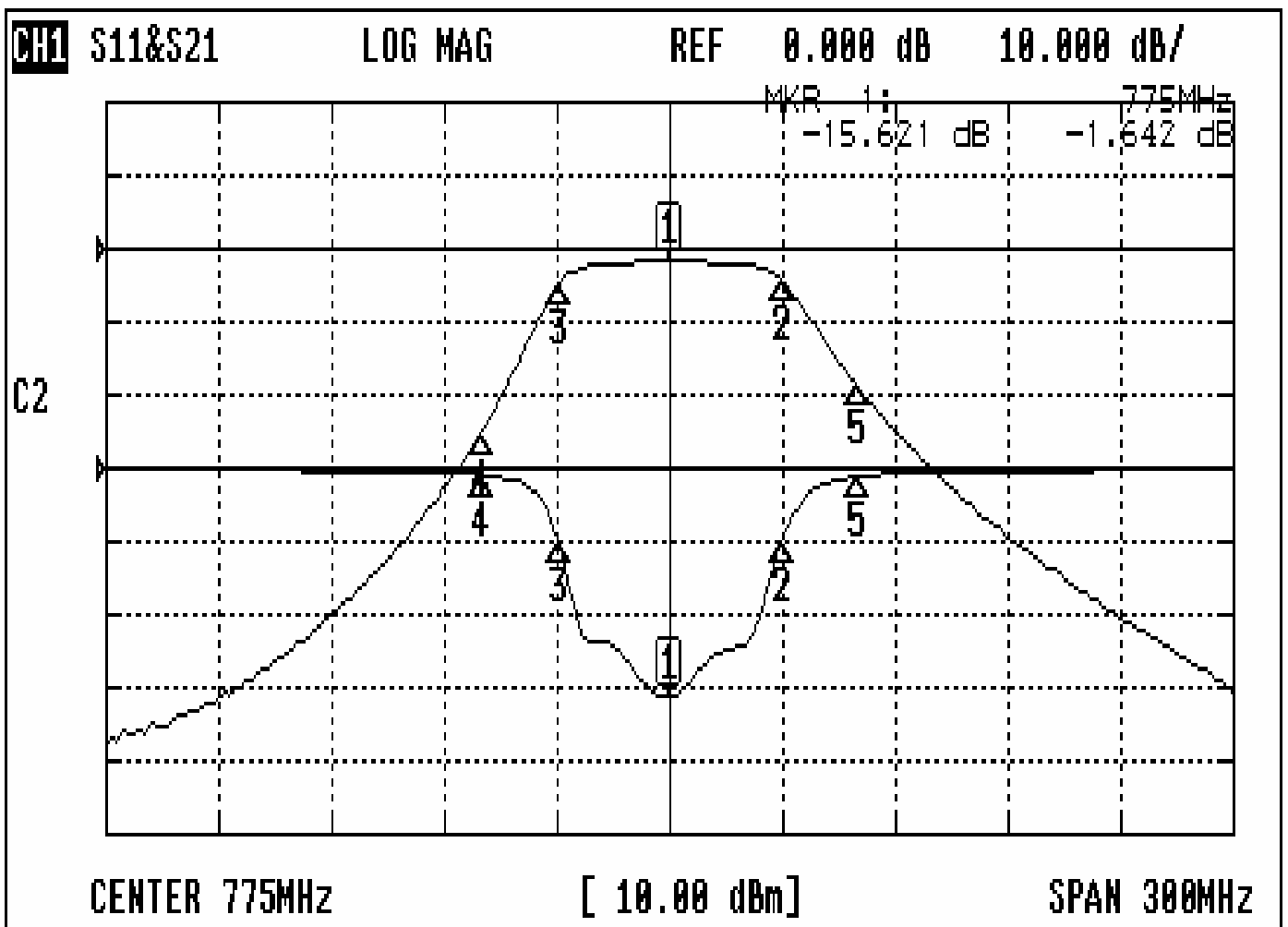


Approval	Supervisor	Designer	Aperture size
C.Y. Chang	C.S. Chang	C.S. Chang	7H4, 4*7.5 7H046LB5

TEMWELL CORPORATION

Performance-TF69653B-775M

0509083DC



CH1 MARKER LIST

1:	775.000MHz	-15.621 dB	-1.642 dB
2:	805.250MHz	-4.765 dB	-4.595 dB
3:	745.750MHz	-5.148 dB	-4.624 dB
4:	725.000MHz	-0.435 dB	-25.081 dB
5:	825.000MHz	-0.549 dB	-18.676 dB
6:			
7:			
8:			
9:			
10:			