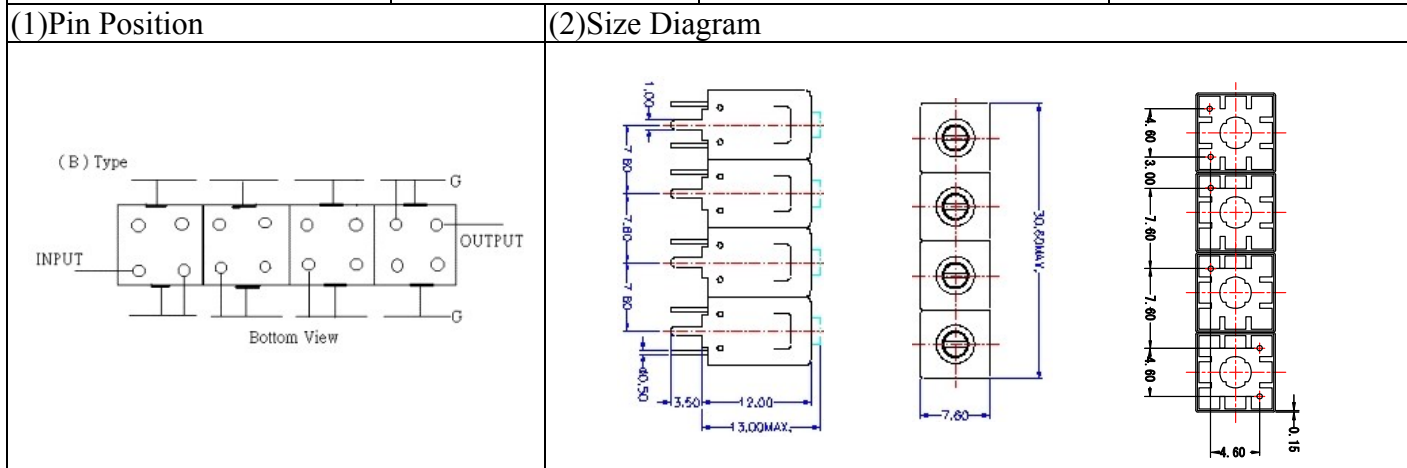


# VHF UHF Helical Filter Specification Sheet

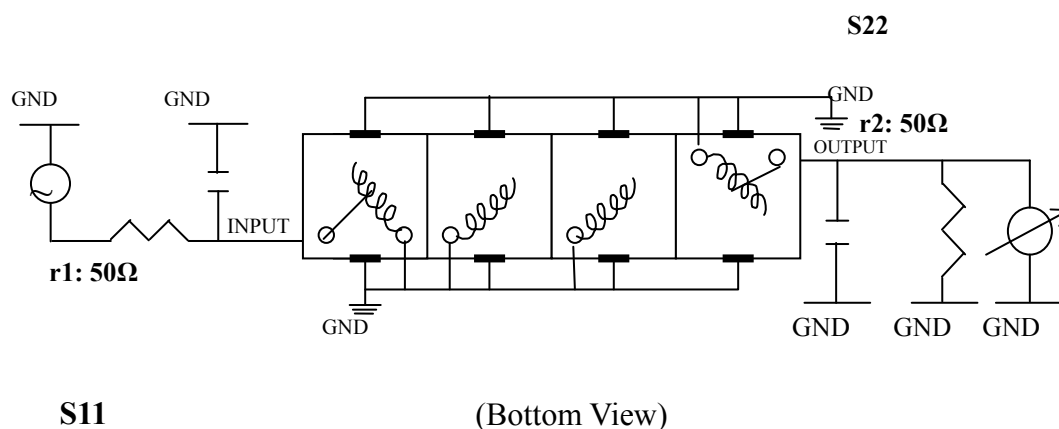
Customer Name		Temwell's Part No.	TF6966B-290M
Approval No. /dated	201702022CD	Temwell's Print Name	6966B 290M
Work Instruction No.	201702022CD	Date	Feb.24.2017



### (3) Electric Characteristic

Item	Specify	Performance	
Center Freq.(Fo) +/- 0.5 %	290 MHz	290 MHz	
Insertion Loss	Typ. 4.0 dB	3.26 dB	
-3 dB Bandwidth	Typ. 6 MHz	10.2 MHz	
Sensitivity (Attenuation)	Fo - 20 MHz	Typ. 45 dBc	50 dBc
	Fo + 20 MHz	Typ. 38 dBc	42 dBc
	Fo - ( )MHz	Typ. dBc	dBc
	Fo + ( )MHz	Typ. dBc	dBc
Return Loss	Min. 12 dB	30.5 dB	
Ripple	< 1 dB	dB	
Impedance	In / Out : 50 Ω	In / Out : 50 Ω	
(4) Torque for Tuning Screw	> 60gf · cm		
(5) Temperature Condition:			
Operating Temperature	0°C ~ +60°C		
Storage Temperature	-20°C ~ +70°C		
(6) Input Power	> 1Watt		

(7) Measuring Circuit: ※Easy to match Impedance S11/S22 50Ω by parallel with about(- -).



Approval	Supervisor	Designer	Aperture size
C.Y.Chang	C.K.Chang	C.H.Yeh	7H4S(4*5.35)(5.40) 7H024LB4
TEMWELL CORPORATION			

# Performance-TF6966B-290M

## 201702022CD

CH1 S11

LOG MAG

REF 0.000 dB

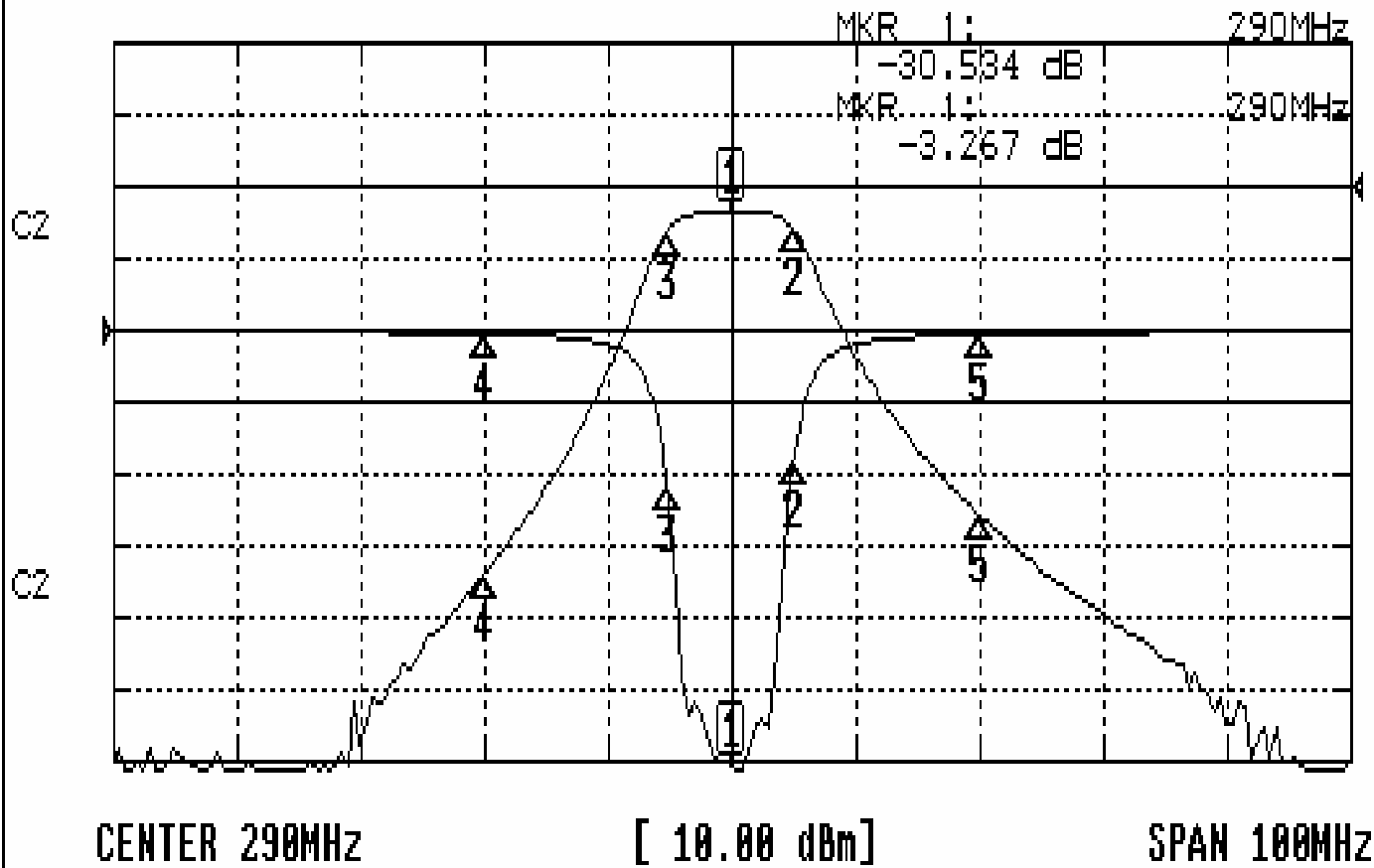
5.000 dB/

CH2 S21

LOG MAG

REF 0.000 dB

10.000 dB/



### CH1 MARKER LIST

Marker	Frequency (MHz)	Magnitude (dB)
1:	290.000	-30.534
2:	295.083	-8.845
3:	284.833	-11.099
4:	270.000	-0.231
5:	310.000	-0.273

### CH2 MARKER LIST

Marker	Frequency (MHz)	Magnitude (dB)
1:	290.000	-3.267
2:	295.083	-16.229
3:	284.833	-16.225
4:	270.000	-54.010
5:	310.000	-45.684