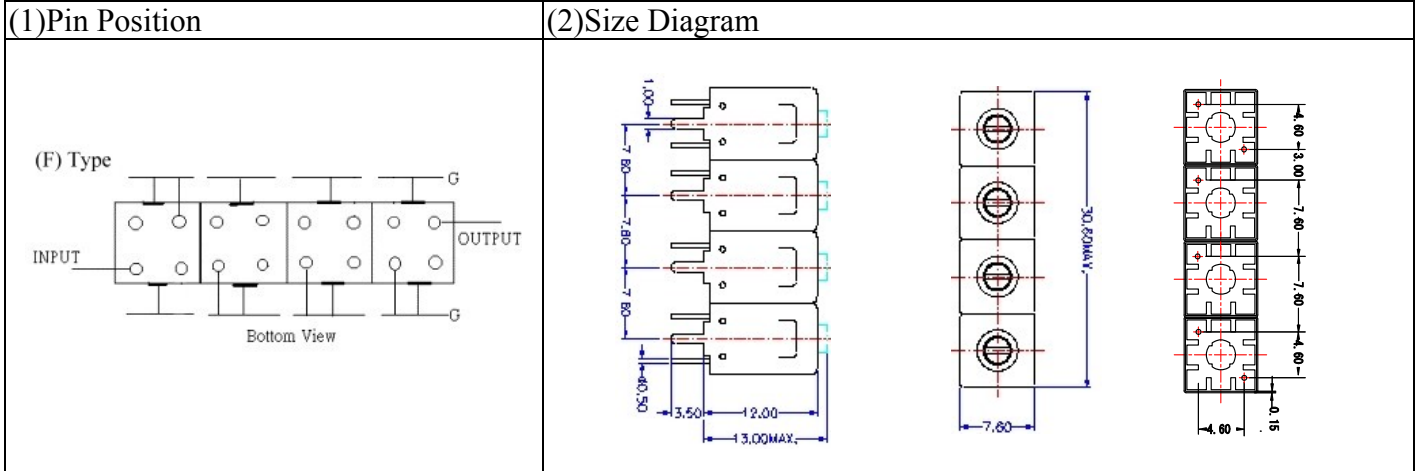
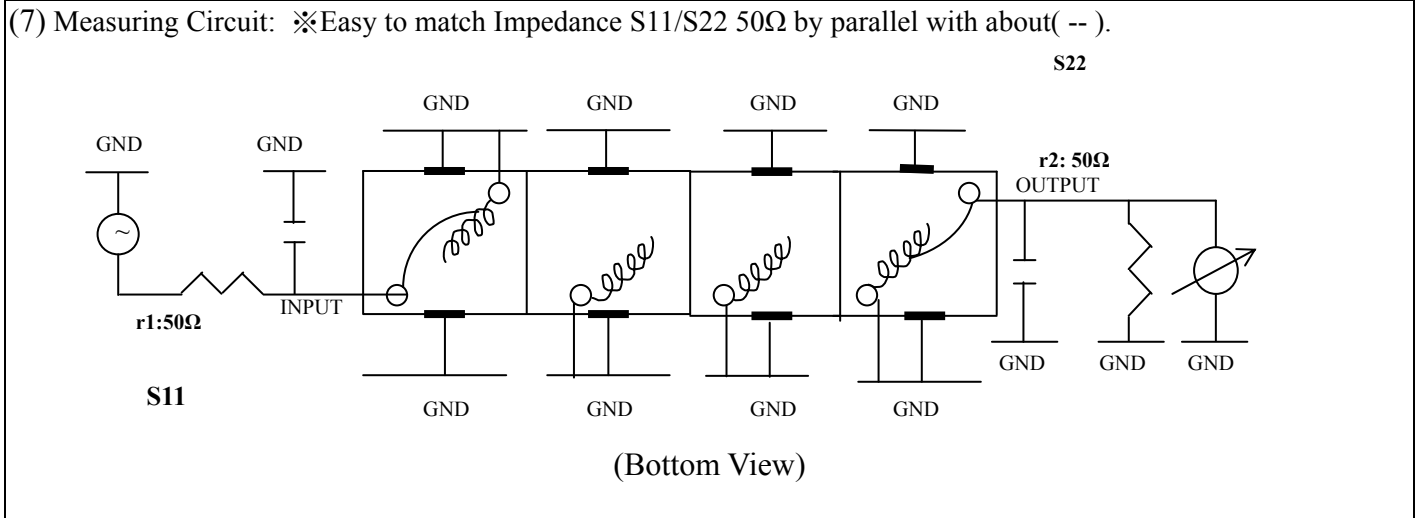


VHF UHF Helical Filter Specification Sheet

Customer Name		Temwell's Part No.	TF69671F-200M
Approval No. /dated	201702009CD	Temwell's Print name	69671F 200M
Work Instruction No.	201702009CD	Date	Feb.14.2017



(3) Electric Characteristic					
Item		Specify		Performance	
Center Freq.(Fo) +/- 0.5 %		200 MHz		200 MHz	
Insertion Loss		Typ. 2.0 dB		1.47 dB	
-3 dB Bandwidth		Typ. 27 MHz		28.6 MHz	
Sensitivity (Attenuation)	Fo - (100) MHz	Typ. 65 dBc		72 dBc	
	Fo + (100) MHz	Typ. 75 dBc		84 dBc	
	Fo - () MHz	Typ. dBc		dBc	
	Fo + () MHz	Typ. dBc		dBc	
Return Loss		Min. 12 dB		31.2 dB	
Ripple		< 1 dB		dB	
Impedance		In / Out : 50 Ω		In / Out : 50 Ω	
(4) Torque for Tuning Screw		> 60gf · cm			
(5) Temperature Condition:					
Operating Temperature		0°C ~ +60°C			
Storage Temperature		-20°C ~ +70°C			
(6) Input Power		> 1Watt			

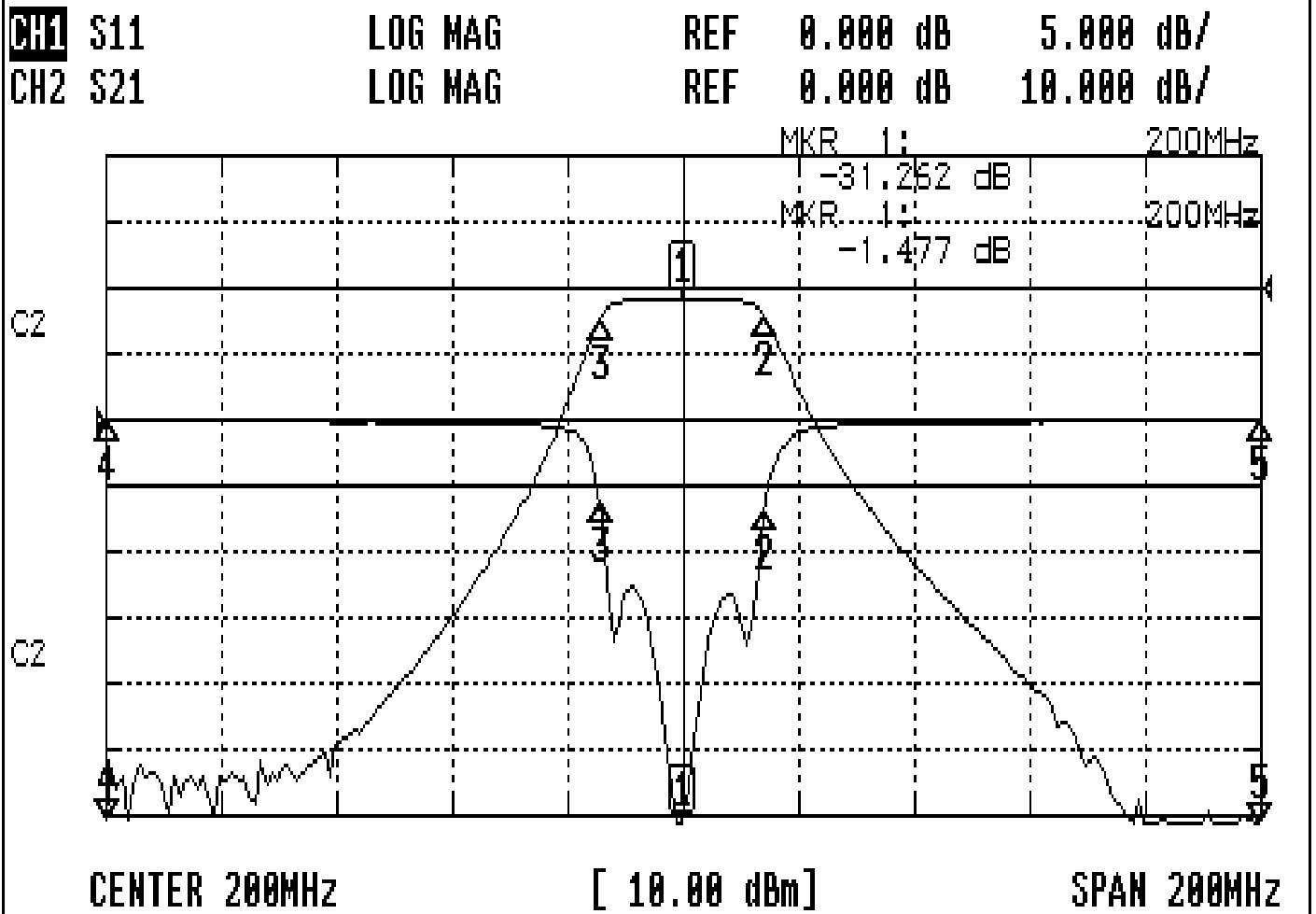


Approval	Supervisor	Designer	Aperture size
C.Y.Chang	C.K.Chang	C.H.Yeh	7H4S(4*6.5)(6.53) 7H046RB6.5 (J1)

TEMWELL CORPORATION

Performance-TF69671F-200M

201702009CD



CH1 MARKER LIST

Marker	Frequency (MHz)	Magnitude (dB)
1	200.000	-31.262
2	214.333	-6.584
3	185.666	-6.430
4	100.000	-0.115
5	300.000	-0.094

CH2 MARKER LIST

Marker	Frequency (MHz)	Magnitude (dB)
1	200.000	-1.477
2	214.333	-4.440
3	185.666	-4.585
4	100.000	-73.816
5	300.000	-85.547