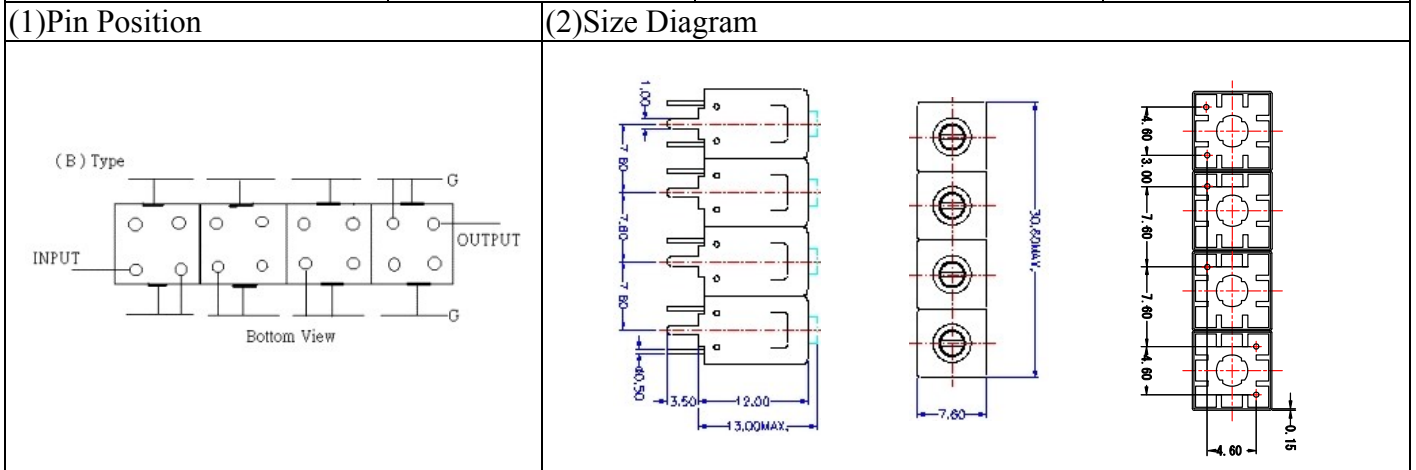
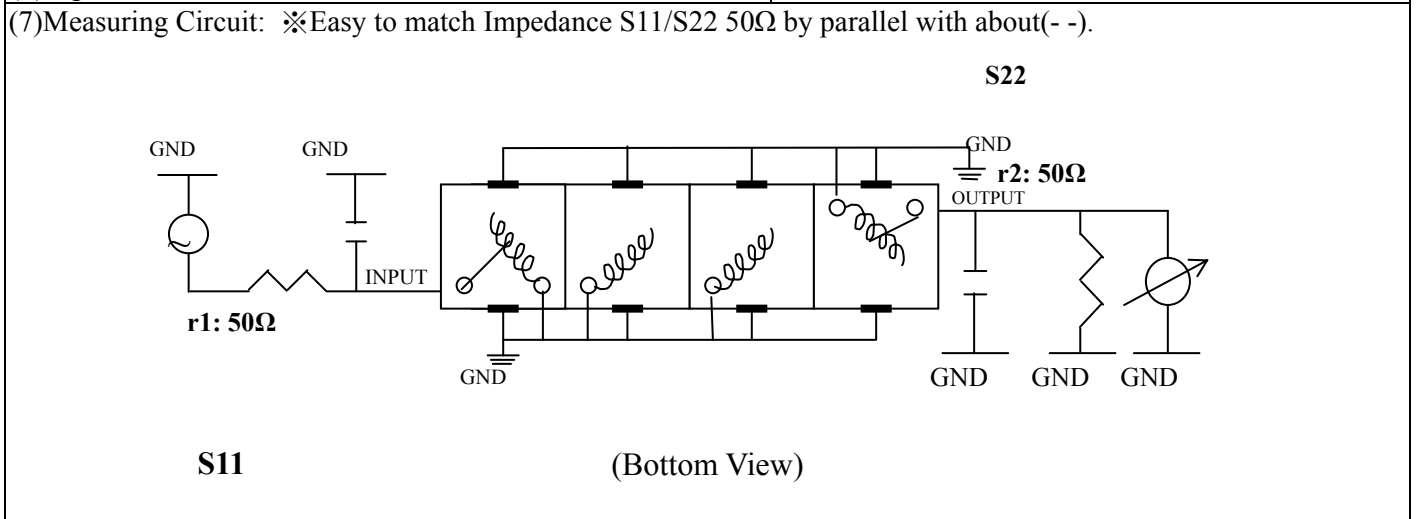


VHF UHF Helical Filter Specification Sheet

Customer Name		Temwell's Part No.	TF69696B-260M
Approval No. /dated	201702020CD	Temwell's Print Name	69696B 260M
Work Instruction No.	201702020CD	Date	Feb.22.2017



Item		Specify	Performance
Center Freq.(Fo) +/- 0.5 %		260 MHz	260 MHz
Insertion Loss		Typ. 2.5 dB	1.71 dB
-3 dB Bandwidth		Typ. 20 MHz	23.0 MHz
Sensitivity (Attenuation)	Fo - 50 MHz	Typ. 57 dBc	67 dBc
	Fo + 50 MHz	Typ. 50 dBc	54 dBc
	Fo - ()MHz	Typ. dBc	dBc
	Fo + ()MHz	Typ. dBc	dBc
Return Loss		Min. 12 dB	20.3 dB
Ripple		< 1 dB	dB
Impedance		In / Out : 50 Ω	In / Out : 50 Ω
(4) Torque for Tuning Screw		> 60gf · cm	
(5) Temperature Condition:			
Operating Temperature		0°C ~ +60°C	
Storage Temperature		-20°C ~ +70°C	
(6) Input Power		> 1Watt	



Approval	Supervisor	Designer	Aperture size
C.Y.Chang	C.K.Chang	C.H.Yeh	7H4S(4*5.5)(5.58) 7H046LB5.5

TEMWELL CORPORATION

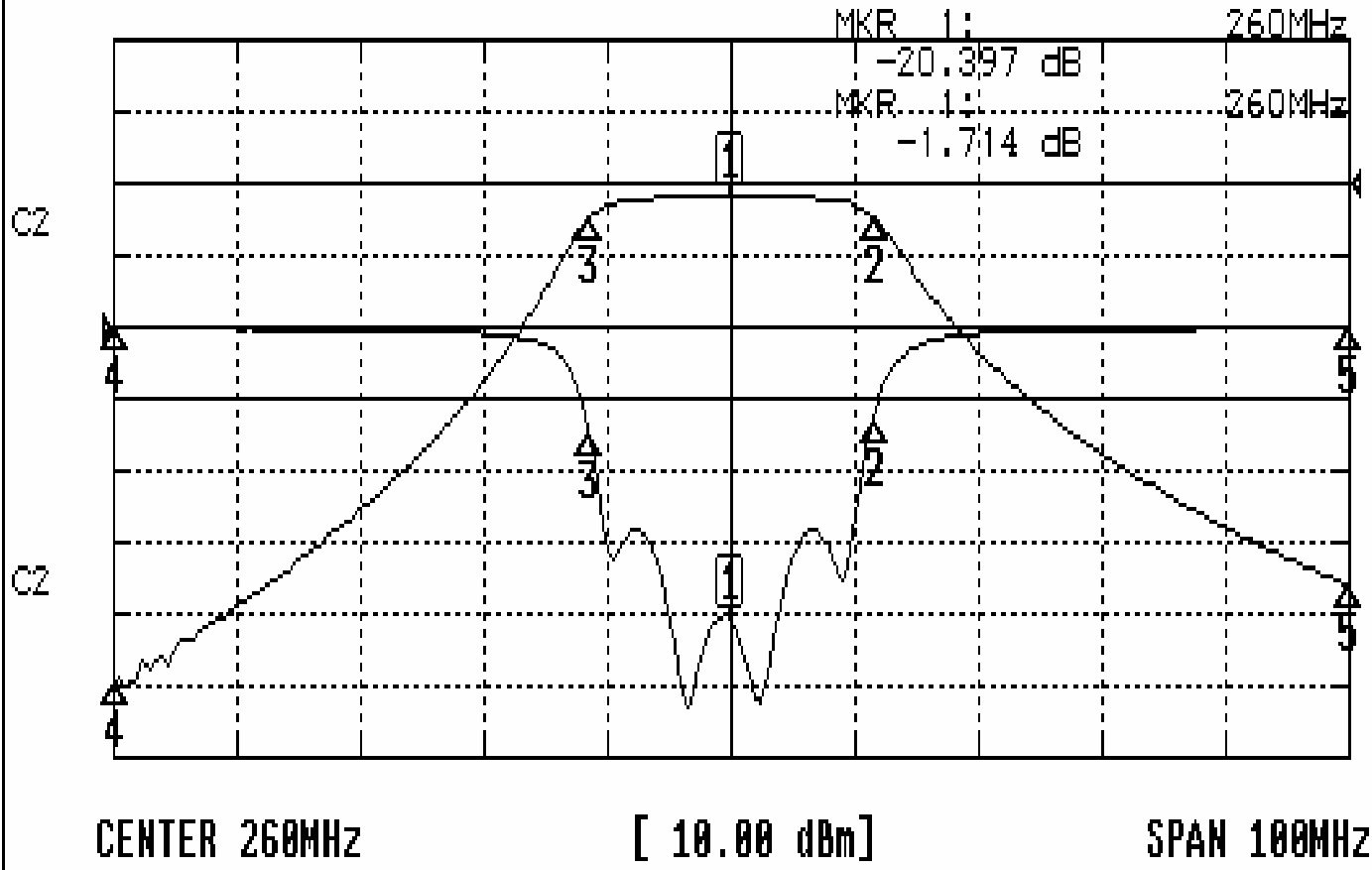
TEMWELL Form10-7H4B Vision D

RP (C.H.Y)

Performance-TF69696B-260M

201702020CD

CH1 S11 LOG MAG REF 0.000 dB 5.000 dB/
CH2 S21 LOG MAG REF 0.000 dB 10.000 dB/



CH1 MARKER LIST

1:	260.000MHz	-20.397	dB
2:	271.583MHz	-6.252	dB
3:	248.583MHz	-7.340	dB
4:	210.000MHz	-0.112	dB
5:	310.000MHz	-0.109	dB

CH2 MARKER LIST

1:	260.000MHz	-1.714	dB
2:	271.583MHz	-4.789	dB
3:	248.583MHz	-4.746	dB
4:	210.000MHz	-9.170	dB
5:	310.000MHz	-6.194	dB