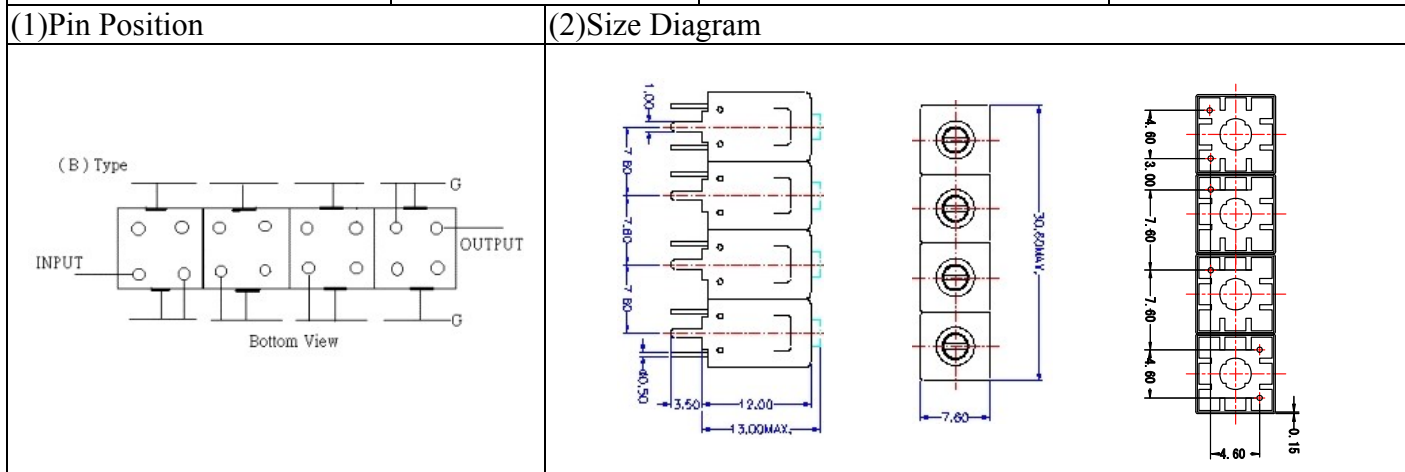


# VHF UHF Helical Filter Specification Sheet

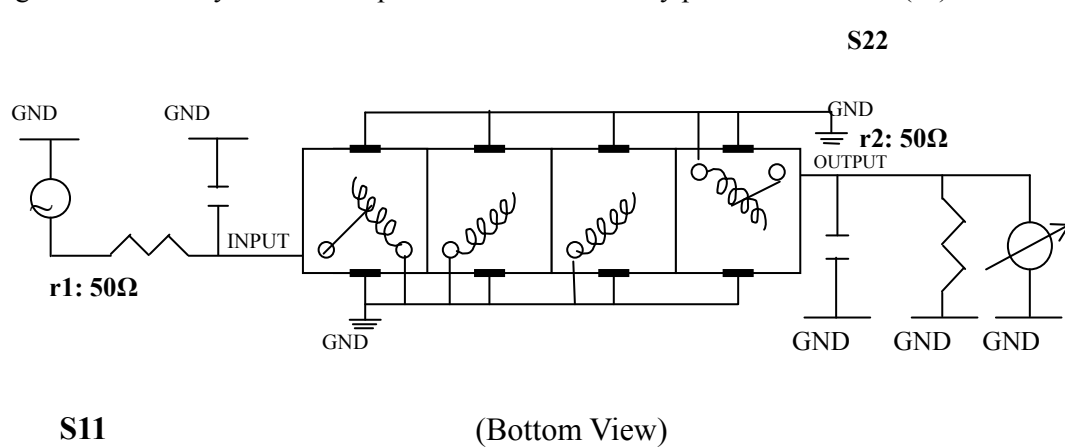
Customer Name		Temwell's Part No.	TF69709B-146M
Approval No. /dated	201803022CD	Temwell's Print Name	69709B 146M
Work Instruction No.	201803022CD	Date	Mar.20.2018



(3) Electric Characteristic

Item	Specify	Performance	
Center Freq.(Fo) +/- 0.5 %	146 MHz	146 MHz	
Insertion Loss	Typ. 5.0 dB	3.85 dB	
-3 dB Bandwidth	Typ. 5 MHz	6.8 MHz	
Sensitivity (Attenuation)	Fo - 10 MHz	Typ. 40 dBc	45 dBc
	Fo + 10 MHz	Typ. 30 dBc	35 dBc
	Fo - ( )MHz	Typ. dBc	dBc
	Fo + ( )MHz	Typ. dBc	dBc
Return Loss	Min. 12 dB	19.8 dB	
Ripple	< 1 dB	dB	
Impedance	In / Out : 50 Ω	In / Out : 50 Ω	
(4) Torque for Tuning Screw	> 60gf · cm		
(5) Temperature Condition:			
Operating Temperature	0°C ~ +60°C		
Storage Temperature	-20°C ~ +70°C		
(6) Input Power	> 1 Watt		

(7) Measuring Circuit: ※Easy to match Impedance S11/S22 50Ω by parallel with about(- -).

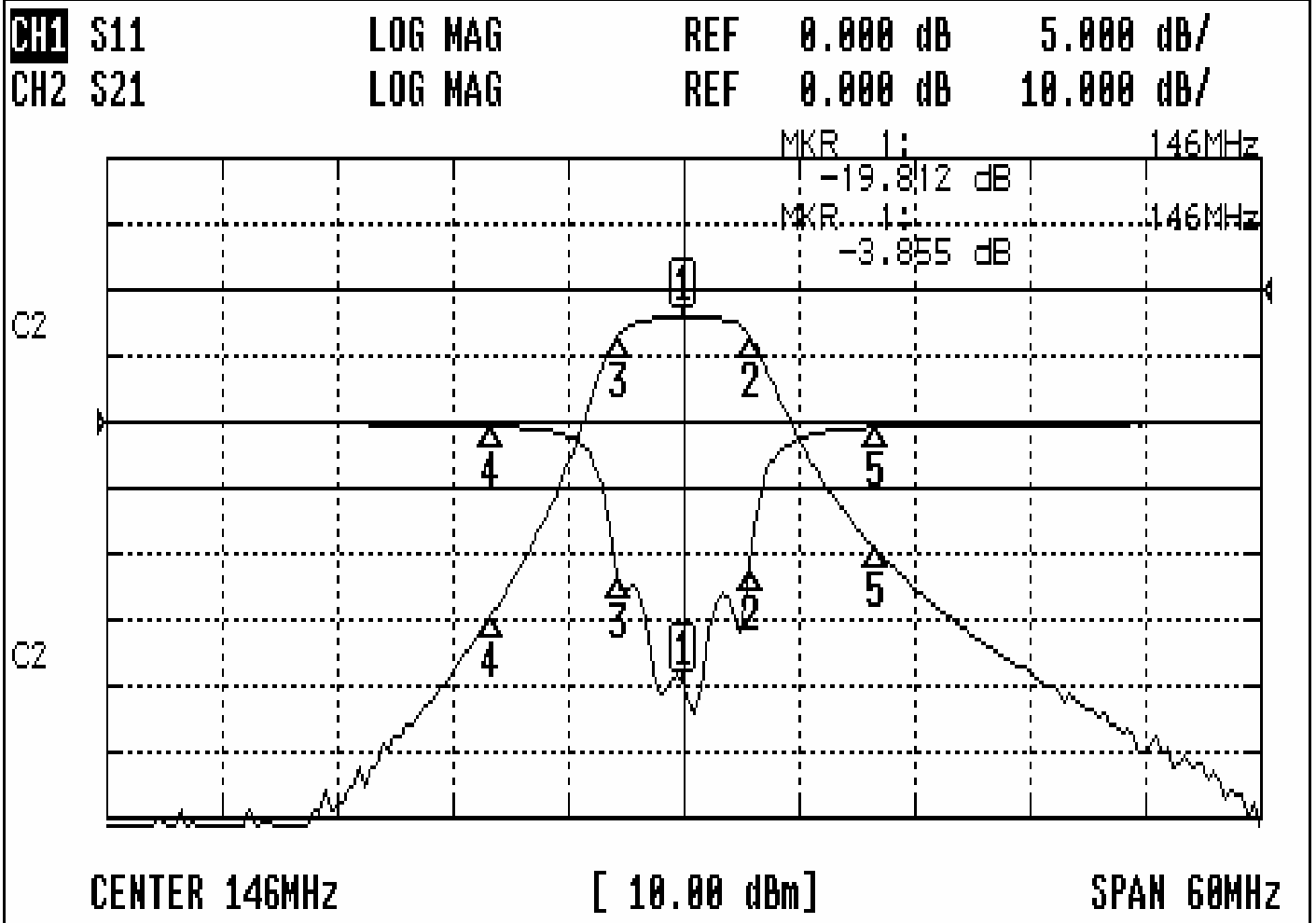


Approval	Supervisor	Designer	Aperture size
C.Y.Chang	C.K.Chang	M.Y.Kang	7H4S(4*6.5)(6.59) 7H024RB4

TEMWELL CORPORATION

# Performance-TF69709B-146M

## 201803022CD



### CH1 MARKER LIST

1:	146.000MHz	-19.812	dB
2:	149.450MHz	-11.115	dB
3:	142.620MHz	-11.996	dB
4:	136.000MHz	-0.312	dB
5:	156.000MHz	-0.404	dB

### CH2 MARKER LIST

1:	146.000MHz	-3.853	dB
2:	149.450MHz	-6.832	dB
3:	142.620MHz	-6.844	dB
4:	136.000MHz	-4.491	dB
5:	156.000MHz	-3.316	dB