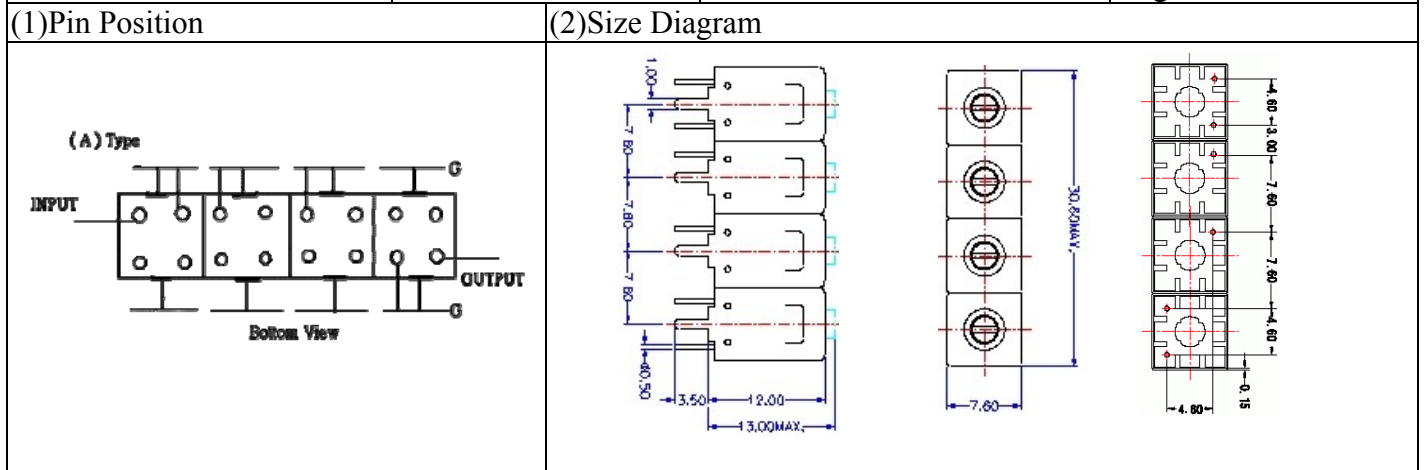
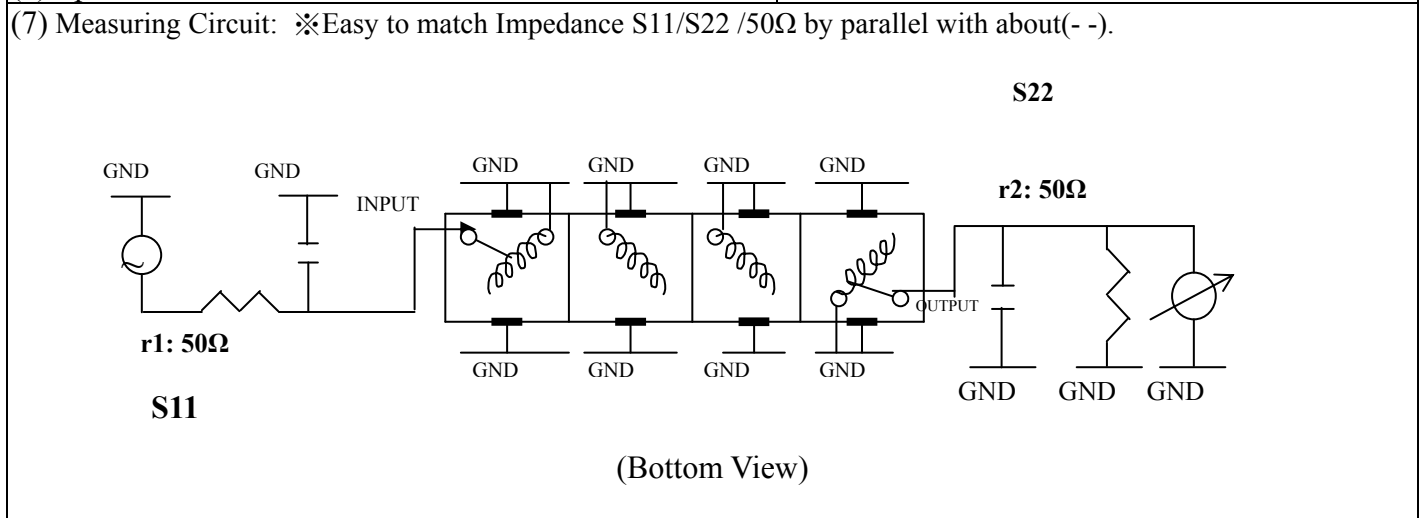


VHF UHF Helical Filter Specification Sheet

Customer Name		Temwell's Part No.	TF6970A-780M
Approval No. /dated	201708059CD	Temwell's Print Name	6970A 780M
Work Instruction No.	201708059CD	Date	Aug.29.2017



Item		Specify	Performance
Center Freq.(Fo) +/- 0.5 %		780 MHz	780 MHz
Insertion Loss		Typ. 5.0 dB	4.07 dB
-3 dB Bandwidth		Typ. 10 MHz	17.5 MHz
Sensitivity (Attenuation)	Fo - 50 MHz	Typ. 57 dBc	67 dBc
	Fo + 50 MHz	Typ. 56 dBc	66 dBc
	Fo - ()MHz	Typ. dBc	dBc
	Fo +()MHz	Typ. dBc	dBc
Return Loss		Min. 12 dB	24.6 dB
Ripple		< 1 dB	dB
Impedance		In / Out : 50 Ω	In / Out : 50 Ω
(4) Torque for Tuning Screw		> 60gf • cm	
(5) Temperature Condition:			
Operating Temperature		0°C ~ +60°C	
Storage Temperature		-20°C ~ +70°C	
(6) Input Power		> 1 Watt	



Approval	Supervisor	Designer	Aperture size
C.Y.Chang	C.K.Chang	C.S.Chang	7H4S(4*4.65)(4.68) 7H046LB4.3 聚 3

TEMWELL CORPORATION

Performance-TF6970A-780M

201708059CD

Tr1 S11 Log Mag 5.000dB/ Ref 0.000dB [F2]
Tr2 S21 Log Mag 10.00dB/ Ref 0.000dB [F2]

