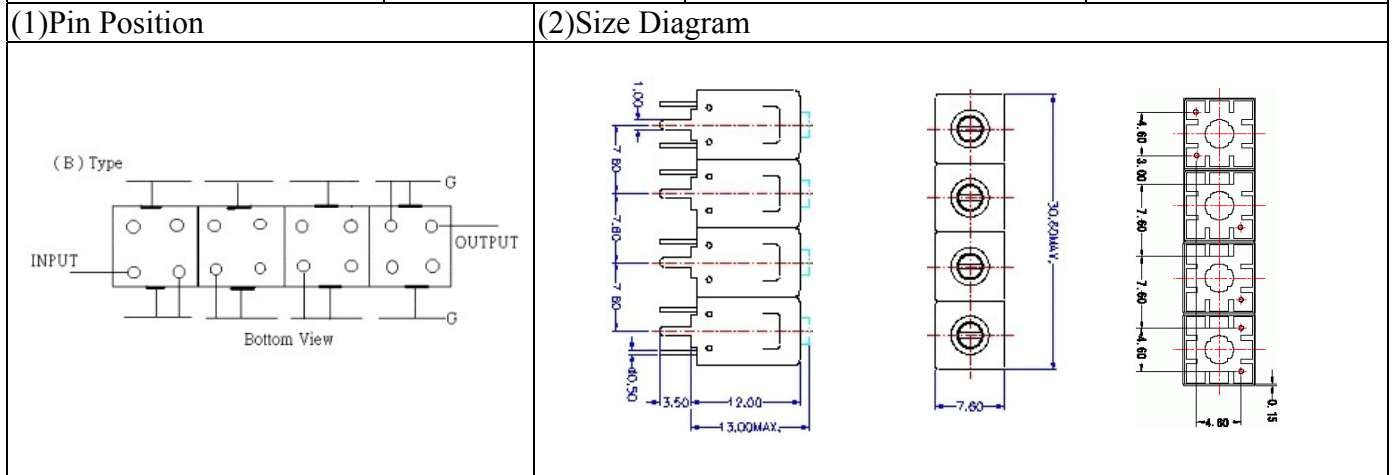


VHF UHF Helical Filter Specification Sheet

Customer Name		Temwell's Part No.	TF69711B-151M
Approval No. /dated	0606076APR	Acceptable Fo Specify Range	146-165MHz
Work Instruction No.	0606076DB	Date	Jul.10.2006



(3) Electric Character

Item	Specify	Performance	
Center Freq.(Fo) +/- 0.5 %	151 MHz	151 MHz	
Insertion Loss	Typ. 4.0 dB	2.97 dB	
-3 dB Bandwidth	Typ. 7 MHz	9.3 MHz	
Sensitivity (Attenuation)	Fo - 10 MHz	Typ. 31 dBc	34 dBc
	Fo + 10 MHz	Typ. 20 dBc	23 dBc
	Fo - ()MHz	Typ. dBc	dBc
	Fo +()MHz	Typ. dBc	dBc
Return Loss	Min. 12 dB	28.3 dB	
Ripple	< 1 dB	dB	
Impedance	In / Out : 50 Ω	In / Out : 50 Ω	
(4) Torque for Tuning Screw	> 100gf · cm		

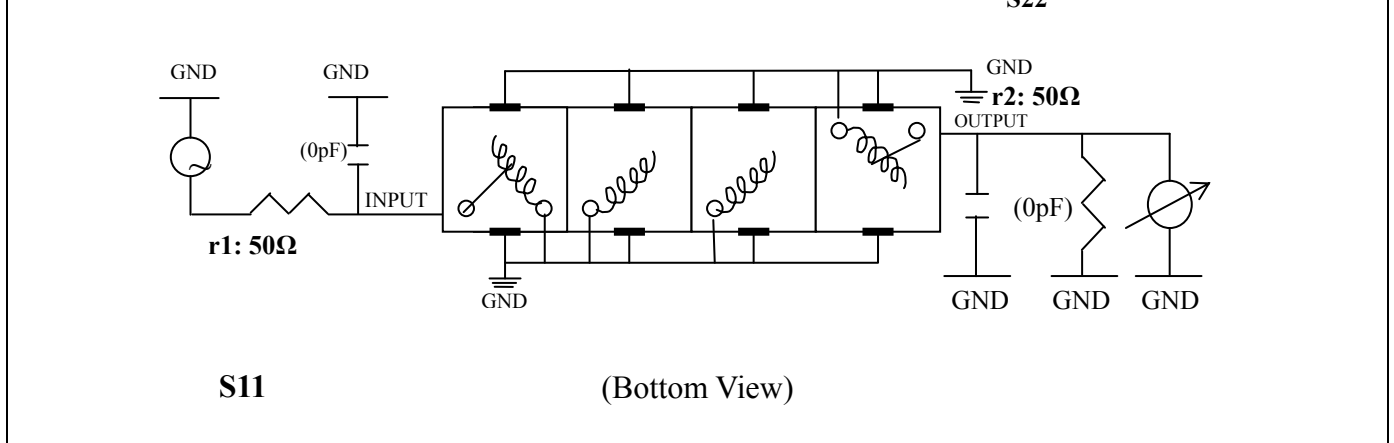
(5) Temperature Condition:

Operating Temperature	0°C ~ +60°C
Storage Temperature	-20°C ~ +70°C

(6) Input Power

> 1Watt

(7) Measuring Circuit: ※Easy to match Impedance S11/S22 50Ω/ by parallel with about(0 pF) / (0 pF).

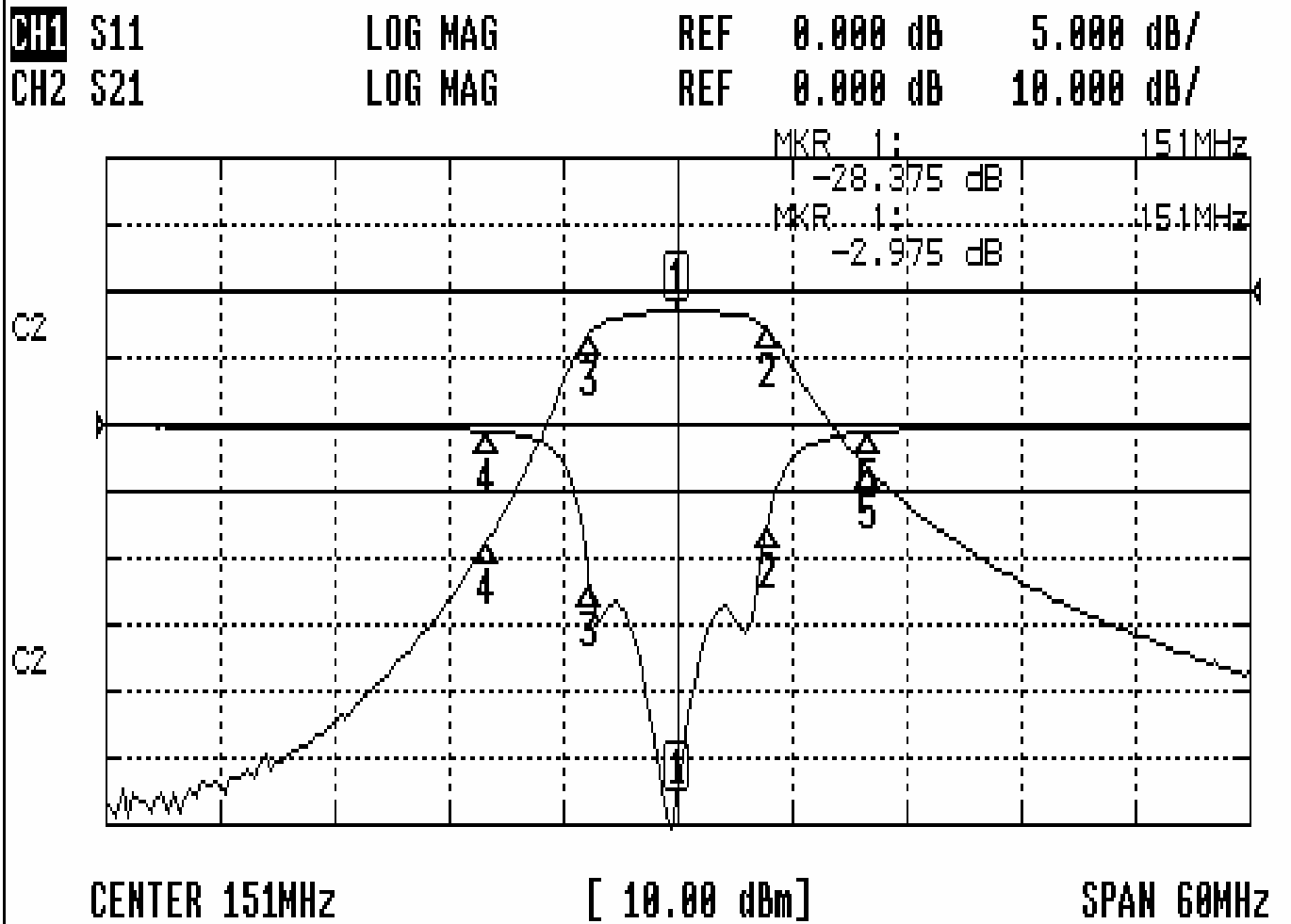


Approval	Supervisor	Designer	Aperture size
C.Y.Chang	C.S.Chang	C.S.Chang	7H4(4*8.0)(8.01) 7H024RB4

TEMWELL CORPORATION

Performance-TF69711B-151M

0606076DB



CH1 MARKER LIST

1:	151.000MHz	-28.375 dB
2:	155.750MHz	-7.500 dB
3:	146.450MHz	-12.101 dB
4:	141.000MHz	-0.530 dB
5:	161.000MHz	-0.586 dB
6:		
7:		
8:		
9:		
10:		

CH2 MARKER LIST

1:	151.000MHz	-2.975 dB
2:	155.750MHz	-15.911 dB
3:	146.450MHz	-15.923 dB
4:	141.000MHz	-37.624 dB
5:	161.000MHz	-26.588 dB
6:		
7:		
8:		
9:		
10:		