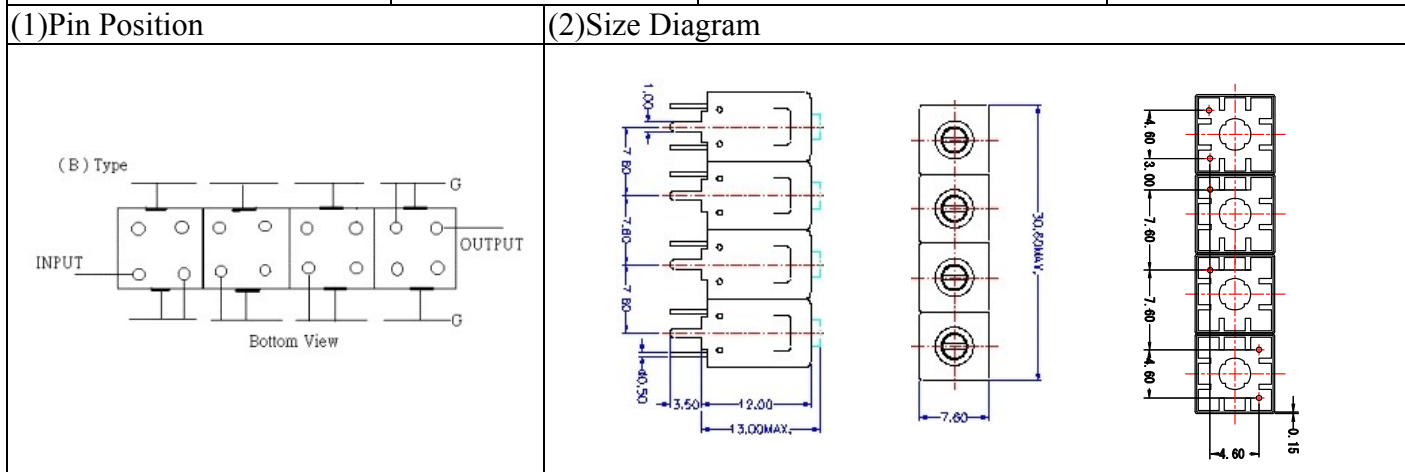


# VHF UHF Helical Filter Specification Sheet

Customer Name		Temwell's Part No.	TF69713B-318M
Approval No. /dated	201702029CD	Temwell's Print Name	69713B 318M
Work Instruction No.	201702029CD	Date	Feb.22.2017



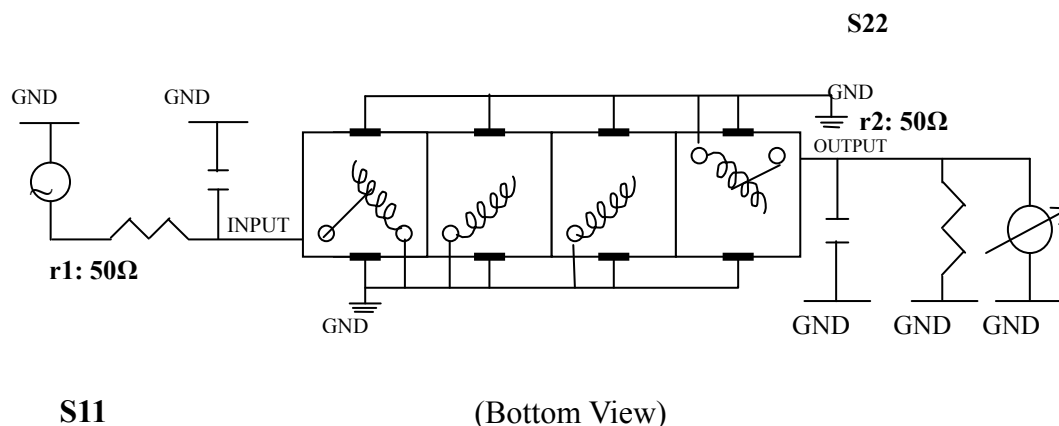
(3) Electric Characteristic

Item	Specify	Performance	
Center Freq.(Fo) +/- 0.5 %	318 MHz	318 MHz	
Insertion Loss	Typ. 2.0 dB	1.44 dB	
-3 dB Bandwidth	Typ. 30 MHz	34.0 MHz	
Sensitivity (Attenuation)	Fo - 50 MHz	Typ. 50 dBc	55 dBc
	Fo + 50 MHz	Typ. 34 dBc	39 dBc
	Fo - ( )MHz	Typ. dBc	dBc
	Fo + ( )MHz	Typ. dBc	dBc
Return Loss	Min. 12 dB	20.6 dB	
Ripple	< 1 dB	dB	
Impedance	In / Out : 50 Ω	In / Out : 50 Ω	
(4) Torque for Tuning Screw	> 60gf · cm		

(5) Temperature Condition:

Operating Temperature	0°C ~ +60°C
Storage Temperature	-20°C ~ +70°C
(6) Input Power	> 1Watt

(7) Measuring Circuit: ※Easy to match Impedance S11/S22 50Ω by parallel with about(- -).



Approval	Supervisor	Designer	Aperture size
C.Y.Chang	C.K.Chang	C.S.Chang	7H4S(4*7.5)(7.56) 7H046LB5

TEMWELL CORPORATION

# Performance-TF69713B-318M

## 201702029CD

Tr1 S11 Log Mag 5.000dB/ Ref 0.000dB [F2]  
Tr2 S21 Log Mag 10.00dB/ Ref 0.000dB [F2]

