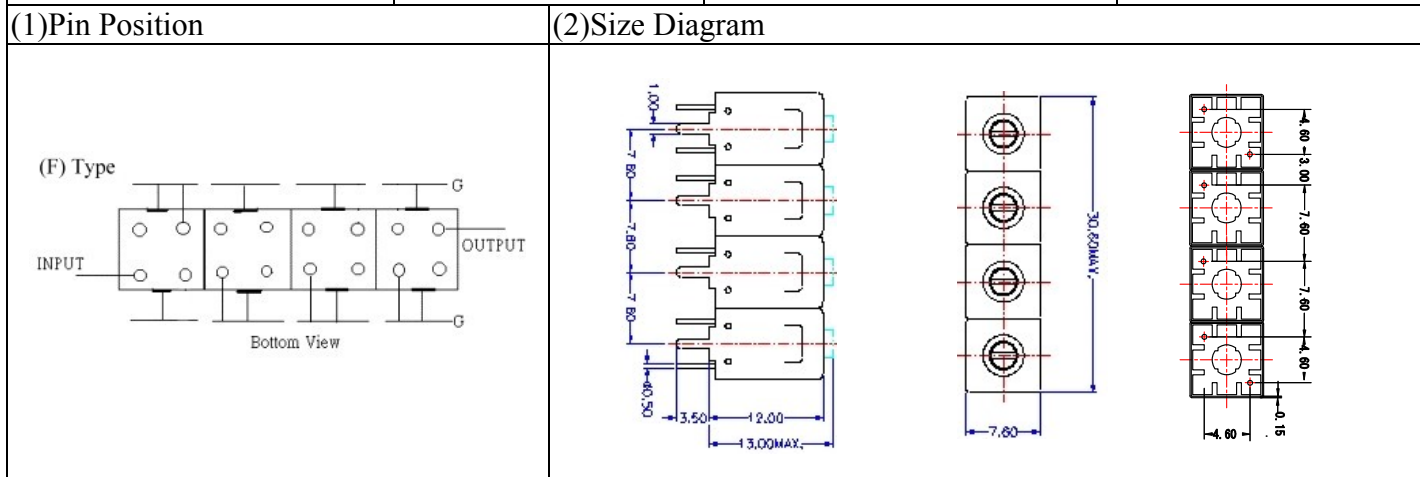


VHF UHF Helical Filter Specification Sheet

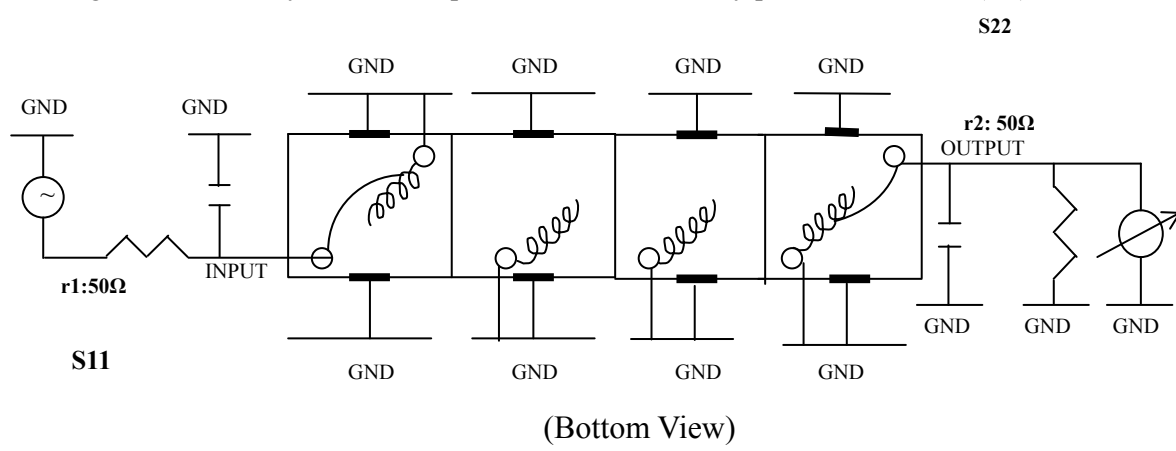
Customer Name		Temwell's Part No.	TF6971F2-420M
Approval No. /dated	201703029CD	Temwell's Print name	6971F2 420M
Work Instruction No.	201703029CD	Date	Mar.07.2017



(3) Electric Characteristic

Item	Specify	Performance	
Center Freq.(Fo) +/- 0.5 %	420 MHz	420 MHz	
Insertion Loss	Typ. 2.5 dB	2.07 dB	
-3 dB Bandwidth	Typ. 19 MHz	22.8 MHz	
Sensitivity (Attenuation)	Fo - (50) MHz	Typ. 65 dBc	75 dBc
	Fo + (50) MHz	Typ. 39 dBc	44 dBc
	Fo - () MHz	Typ. dBc	dBc
	Fo + () MHz	Typ. dBc	dBc
Return Loss	Min. 12 dB	33.0 dB	
Ripple	< 1 dB	dB	
Impedance	In / Out : 50 Ω	In / Out : 50 Ω	
(4) Torque for Tuning Screw	> 60gf • cm		
(5) Temperature Condition:			
Operating Temperature	0°C ~ +60°C		
Storage Temperature	-20°C ~ +70°C		
(6) Input Power	> 1Watt		

(7) Measuring Circuit: ※Easy to match Impedance S11/S22 50Ω by parallel with about(--).

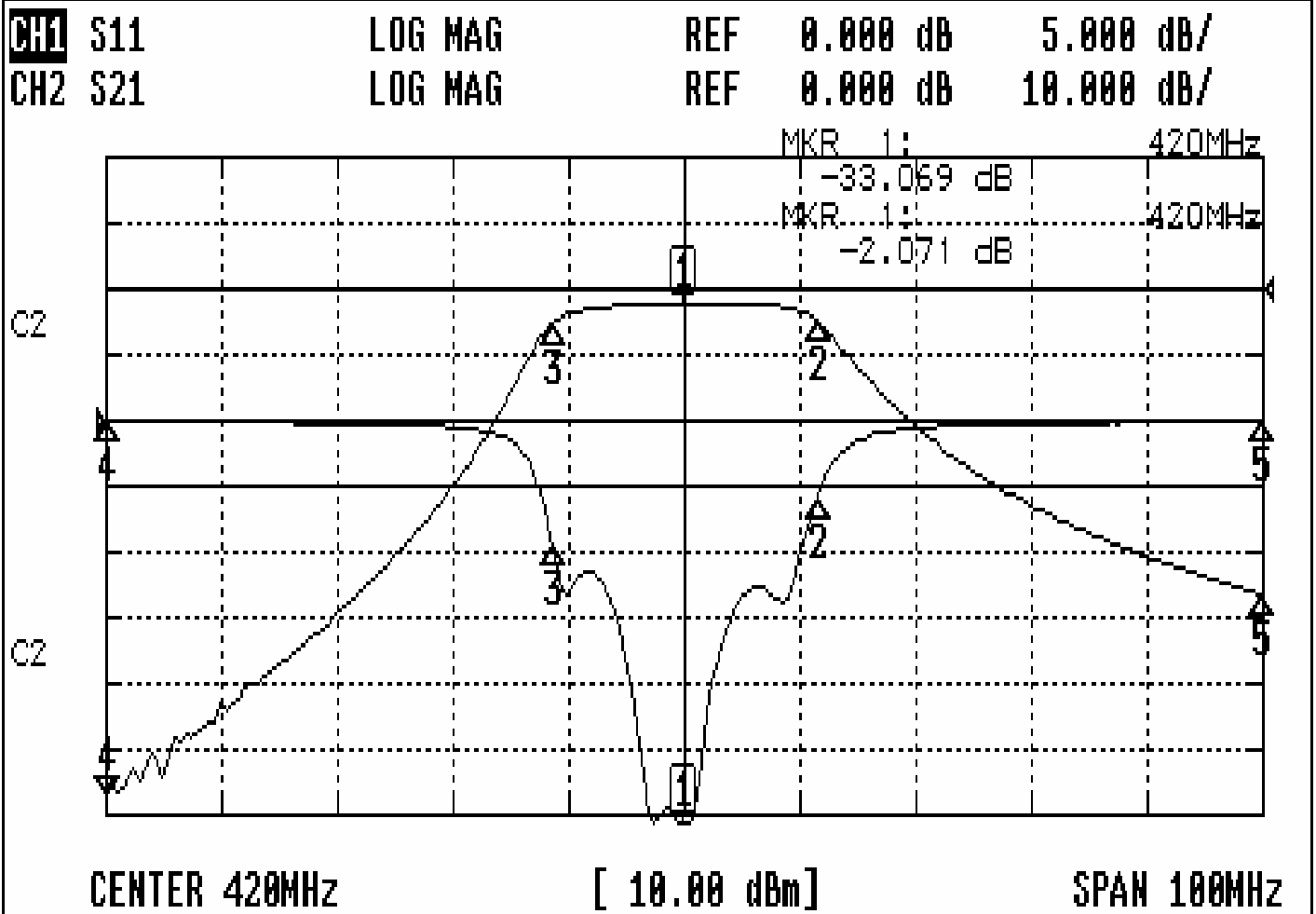


Approval C.Y.Chang	Supervisor C.K.Chang	Designer C.H.Yeh	Aperture size 7H4S(4*6.8)(6.84) 7H046LB4.3 聚 3
-----------------------	-------------------------	---------------------	------------------------------------------------------

TEMWELL CORPORATION

Performance-TF6971F2-420M

201703029CD



CH1 MARKER LIST

Marker	Frequency (MHz)	Magnitude (dB)
1:	420.000	-33.069
2:	431.530	-1.723
3:	408.666	-1.606
4:	370.000	-0.089
5:	470.000	-0.096
6:		
7:		
8:		
9:		
10:		

CH2 MARKER LIST

Marker	Frequency (MHz)	Magnitude (dB)
1:	420.000	-2.071
2:	431.530	-1.034
3:	408.666	-1.018
4:	370.000	-77.062
5:	470.000	-46.214
6:		
7:		
8:		
9:		
10:		