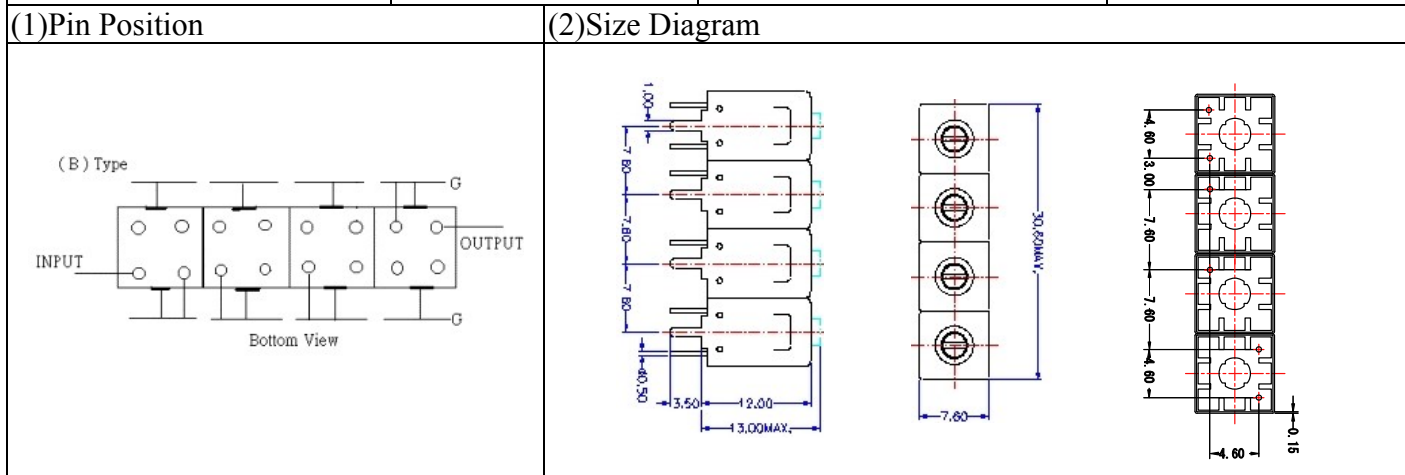


VHF UHF Helical Filter Specification Sheet

Customer Name		Temwell's Part No.	TF69725B-180M
Approval No. /dated	201702006CD	Temwell's Print Name	69725B 180M
Work Instruction No.	201702006CD	Date	Feb.17.2017



(3) Electric Characteristic

Item	Specify	Performance	
Center Freq.(Fo) +/- 0.5 %	180 MHz	180 MHz	
Insertion Loss	Typ. 2.0 dB	0.82 dB	
-3 dB Bandwidth	Typ. 40 MHz	44.3 MHz	
Sensitivity (Attenuation)	Fo - 50 MHz	Typ. 40 dBc	46 dBc
	Fo + 50 MHz	Typ. 25 dBc	29 dBc
	Fo - ()MHz	Typ. dBc	dBc
	Fo + ()MHz	Typ. dBc	dBc
Return Loss	Min. 12 dB	24.1 dB	
Ripple	< 1 dB	dB	
Impedance	In / Out : 50 Ω	In / Out : 50 Ω	
(4) Torque for Tuning Screw	> 60gf · cm		

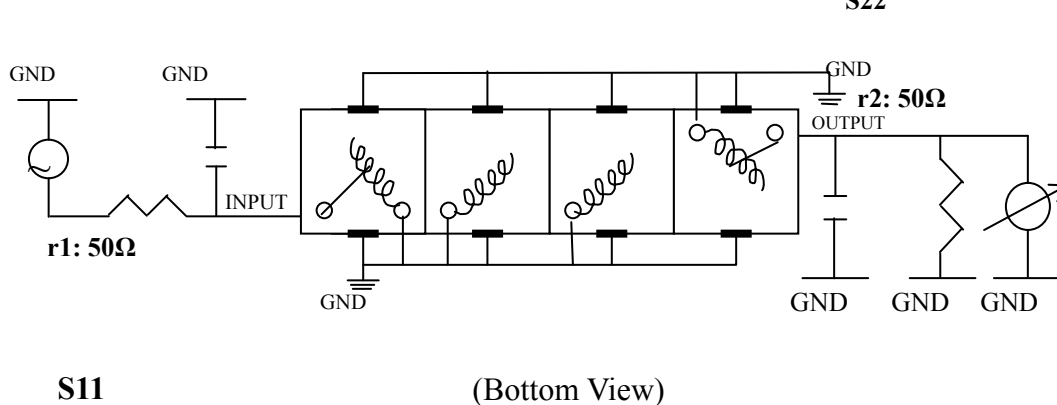
(5) Temperature Condition:

Operating Temperature	0°C ~ +60°C
Storage Temperature	-20°C ~ +70°C

(6) Input Power

	> 1Watt
--	---------

(7) Measuring Circuit: ※Easy to match Impedance S11/S22 50Ω by parallel with about(- -).

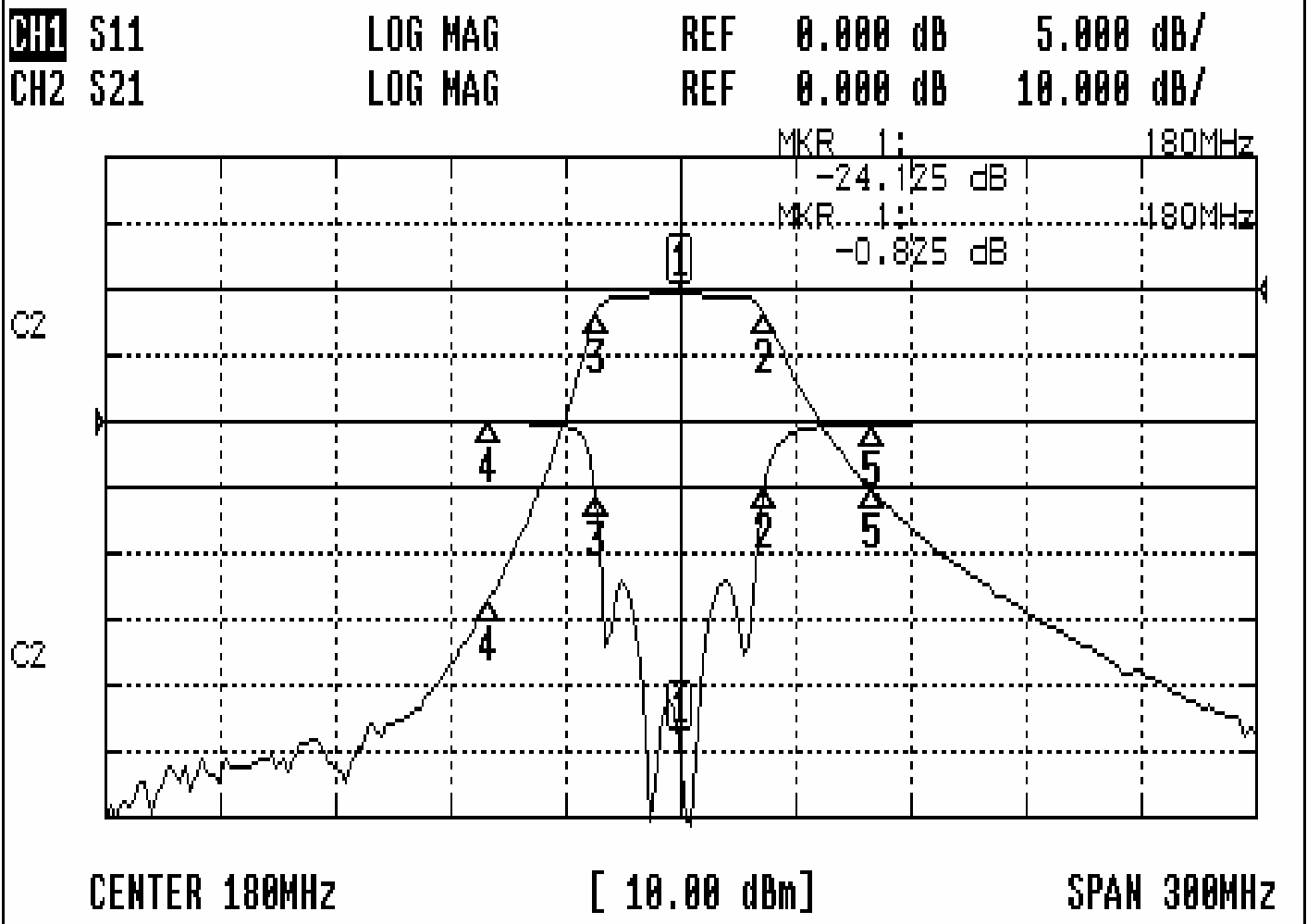


Approval	Supervisor	Designer	Aperture size
C.Y.Chang	C.K.Chang	M.Y.Kang	7H4S(4*7.35)(7.40) 7H024LB6.5

TEMWELL CORPORATION

Performance-TF69725B-180M

201702006CD



CH1 MARKER LIST

1:	180.000MHz	-24.125	dB
2:	202.250MHz	-4.758	dB
3:	157.900MHz	-5.441	dB
4:	130.000MHz	-0.111	dB
5:	230.000MHz	-0.210	dB

CH2 MARKER LIST

1:	180.000MHz	-0.825	dB
2:	202.250MHz	-3.862	dB
3:	157.900MHz	-3.550	dB
4:	130.000MHz	-47.275	dB
5:	230.000MHz	-30.420	dB