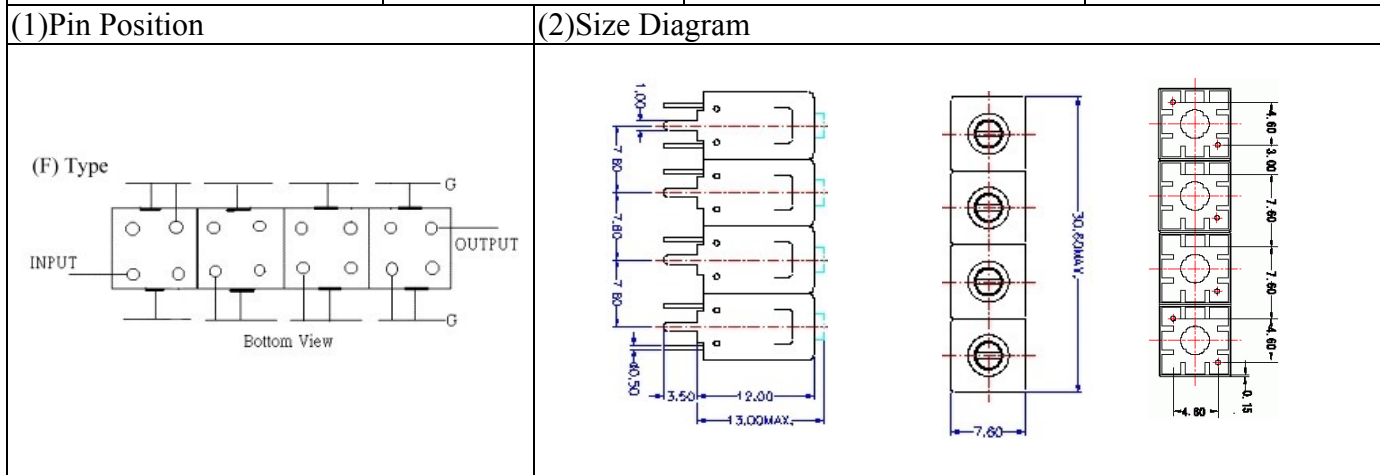


# VHF UHF Helical Filter Specification Sheet

Customer Name		Temwell's Part No.	TF6973F-404M
Approval No. /dated	0902085CD	Temwell's Print name	6973F 404M
Work Instruction No.	200901085CD	Date	Feb.17.2009



(3) Electric Characteristic

Item	Specify	Performance	
Center Freq.(Fo ) +/- 0.5 %	404 MHz	404 MHz	
Insertion Loss	Typ. 3.0 dB	2.12 dB	
-3 dB Bandwidth	Typ. 20 MHz	25.3 MHz	
Sensitivity (Attenuation)	Fo - (30) MHz	Typ. 37 dBc	40 dBc
	Fo + (30) MHz	Typ. 25 dBc	28 dBc
	Fo - ( ) MHz	Typ. dBc	dBc
	Fo + ( ) MHz	Typ. dBc	dBc
Return Loss	Min. 12 dB	32.2 dB	
Ripple	< 1 dB	dB	
Impedance	In / Out : 50Ω	In / Out : 50 Ω	

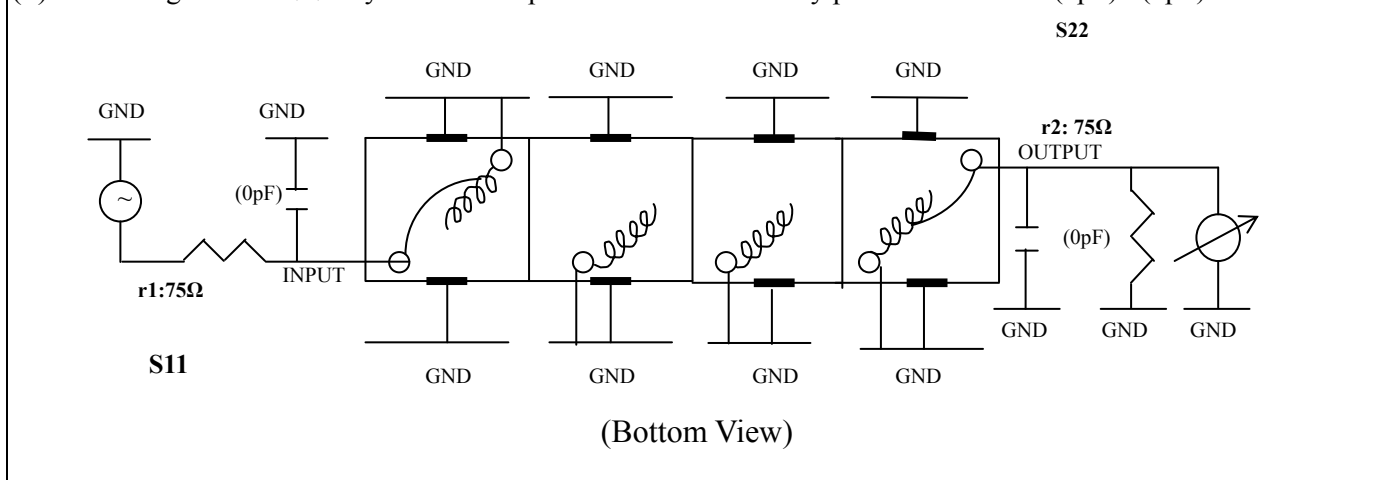
(4) Torque for Tuning Screw > 100gf · cm

(5) Temperature Condition:

Operating Temperature	0°C ~ +60°C
Storage Temperature	-20°C ~ +70°C

(6) Input Power > 1Watt

(7) Measuring Circuit: ※Easy to match Impedance S11/S22 50Ω by parallel with about(0pF) / (0pF).



Approval	Supervisor	Designer	Aperture size
C.Y.Chang	C.S.Chang	C.S.Chang	7H4(4*6.5F)(6.58) 7H046LB5

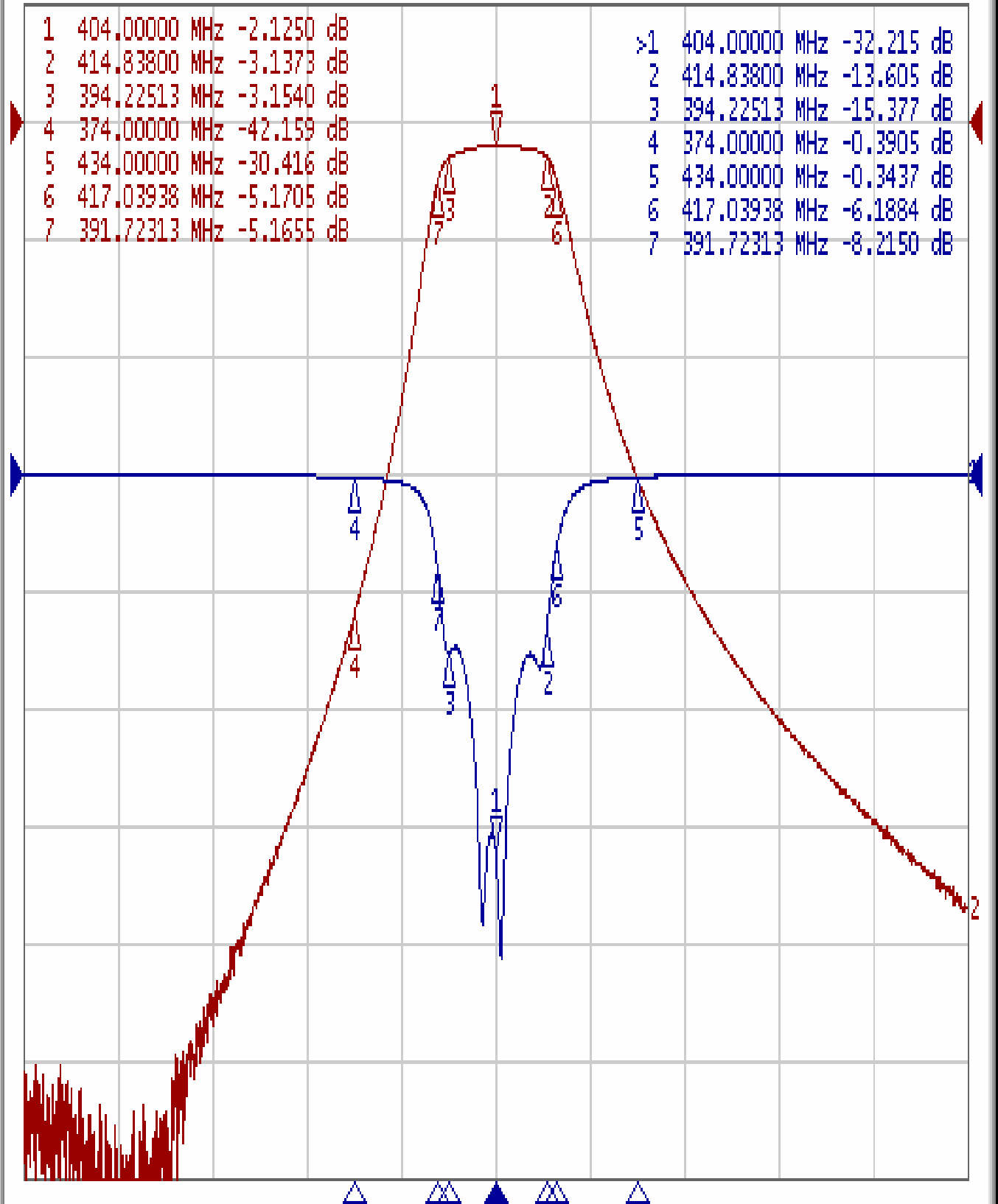
TEMWELL CORPORATION

# Performance-TF6973F-404M

## 200901085CD

Tr1 S11 Log Mag 10.00dB/ Ref 0.000dB [F3]  
Tr2 S21 Log Mag 10.00dB/ Ref 0.000dB [F3]

1	404.00000 MHz	-2.1250 dB	>1	404.00000 MHz	-32.215 dB
2	414.83800 MHz	-3.1373 dB	2	414.83800 MHz	-13.605 dB
3	394.22513 MHz	-3.1540 dB	3	394.22513 MHz	-15.377 dB
4	374.00000 MHz	-42.159 dB	4	374.00000 MHz	-0.3905 dB
5	434.00000 MHz	-30.416 dB	5	434.00000 MHz	-0.3437 dB
6	417.03938 MHz	-5.1705 dB	6	417.03938 MHz	-6.1884 dB
7	391.72313 MHz	-5.1655 dB	7	391.72313 MHz	-8.2150 dB



1 Center 404 MHz

IFBW 10 kHz

Span 200 MHz

